



**ELECTRIC TANKLESS WATER HEATER - POINT OF USE**

# INSTANT-FLOW® MICRO - LOW FLOW

**IDEAL APPLICATION:** bar and utility sink manual, meter, or sensor hand washing faucet(s)

## PRODUCT FEATURES

- Uses a digital microprocessor for temperature control Ultra quick response times for temperature variations - 120 times per second. Microprocessor use is the most energy efficient means of heating water
- Unlimited hot water
- Ideal for sensor /hands-free faucets with the 104°F (40°C) factory preset setting; no mixing valve needed
- Saves water and energy - 99% energy efficient
- Meet all CAL GREEN low flow requirements
- Vandal resistant rugged cast aluminum housing
- Space saving compact size: 6-1/4" (H) x 9-5/8" x 2-3/4" (159 (H) x 244 x 70mm)
- Meets applicable building codes including ADA, UL, IAPMO, UPC, CSA.
- Environmentally friendly
- Made in the U.S.A.
- Field Adjustable Temperature 104-125°F (40-52°C) (Option -ADJ)

Chronomite Instant-Flow® Micro - Low Flow models are manufactured to provide reliable point-of-use hot water. There is no pressure and temperature relief valve needed (unless required by code), saving time and money on installation.

**Housing** is fabricated from rugged cast aluminum alloy.

**Element assembly** is fabricated from Celcon plastic.

**Heating coils** are nichrome.

**Faucet flow controls** are supplied with each unit. 3/8" compression fittings are supplied (standard). Optional 1/2" male NPT water connections available.



Member of U.S. Green Building Council



Water Conserving Product



Made in the USA

**For the model being selected, please place the corresponding amps and volts values in the Guide Specifications to the right.**



Instant-Flow® Micro - Low Flow

## GUIDE SPECIFICATION

Tankless Water Heater shall be a Chronomite Laboratories Model

**M** - \_\_\_\_\_ **L** / \_\_\_\_\_ **OPTIONS**  
AMPS VOLTS

with \_\_\_\_\_ Amps and \_\_\_\_\_ Volts

to heat to a preset temperature of:

- 104°F (40°C)
- 110°F (43°C) (Meets ADA)
- Other temperature settings available upon request (specify below)
- 120°F (49°C) (Meets health code)

Unit shall be provided with Celcon waterways, and Nichrome heating coils. Temperature controlled by microprocessor.

### OPTIONS

- PA 765 ABS Housing (P)
- Satin Finish Stainless Steel Housing (SS)
- High Polish Finish Stainless Steel (SSP)
- Pressure & Temp Relief Valve Assembly (TP)
- 1/2" Male NPT (NPT08)
- Field Adjustable Temperature 104° to 125°F (ADJ)
- Disconnect Switch, Rotary 40A - Lockable Nema 4X (2095-1)
- 3/4" Male NPT ABS Housing Only (NPT12)

MODEL	AMPS	VOLTS	WATTS	ACTIVATION GPM	°F TEMPERATURE RISE @		
					0.80 GPM	1.00 GPM	2.00 GPM
M-15L / 277	15	277	4150	0.35	35	28	-
M-20L / 120	20	120	2400	0.35	20	-	-
M-20L / 208	20	208	4160	0.35	36	28	-
M-20L / 240	20	240	4800	0.35	41	33	-
M-20L / 277	20	277	5540	0.35	47	38	-
M-30L / 120	30	120	3600	0.35	31	25	-
M-30L / 208	30	208	6240	0.35	53	43	21
M-30L / 240	30	240	7200	0.35	61	49	25
M-30L / 277	30	277	8310	0.35	71	57	28
M-40L / 208	40	208	8320	0.35	71	57	28
M-40L / 240	40	240	9600	0.35	82	66	33

**Complies with Standards for:** LISTED TO: UL STD 499, CERTIFIED TO: CAN/CSA STD C22.2 NO. 98

**CHRONOMITE LABORATORIES, INC.**  
 17451 Hurley St. :: City of Industry, CA 91744  
 Phone 800-447-4962 :: 626-937-4270  
 Fax 626-937-4279 :: www.chronomite.com

MEMBER OF MORRIS GROUP INTERNATIONAL

# INSTANT-FLOW® MICRO - LOW FLOW

## INSTANT-FLOW® MICRO - LOW FLOW METRIC CHART

MODEL	AMPS/PHASE	1 Ø VOLTAGE	WATTS	ACTIVATION LPM	°C TEMPERATURE RISE @		
					3.00 LPM	4.00 LPM	8.00 LPM
M-15L/277	15	277	4150	1.3	20	15	--
M-20L/120	20	120	2400	1.3	11	--	--
M-20L/208	20	208	4160	1.3	20	15	--
M-20L/240	20	240	4800	1.3	23	17	--
M-20L/277	20	277	5540	1.3	27	20	--
M-30L/120	30	120	3600	1.3	17	13	--
M-30L/208	30	208	6240	1.3	30	22	11
M-30L/240	30	240	7200	1.3	34	26	13
M-30L/277	30	277	8310	1.3	40	30	15
M-40L/208	40	208	8320	1.3	40	30	15
M-40L/240	40	240	9600	1.3	46	34	17

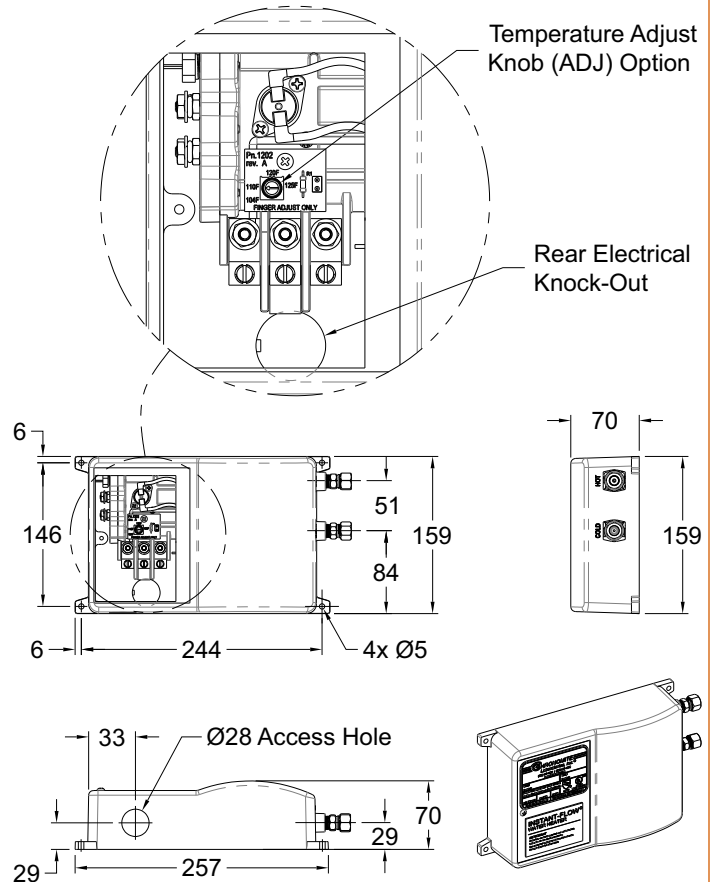
### TECHNICAL DIMENSIONS

#### INSTANT-FLOW® MICRO - LOW FLOW

Dimensions:	159 (H) x 244 x 70mm
Weight:	2.27 Kg
Materials:	Rugged cast aluminum housing Celcon plastic element assembly with nichrome coils
Housing Color:	White
Minimum Operating Flow Rate:	1.3 LPM
Minimum Operating Pressure:	172 kPa
Maximum Operating Pressure:	552 kPa
Maximum Pressure:	1034 kPa
Maximum Water Temperature:	71°C
Maximum Ambient Operating Temperature:	60°C
Listing:	UL, IAPMO, UPC, ADA, ETL

#### GENERAL NOTES:

- The microprocessor adjusts the heater's power for variations in flow rates, inlet water temperature and pressure to assure the selected factory preset water temperature.
- 240V models when operated at 220V will have approximately a 15% wattage decrease.
- 120V models when operated 110V will have approximately a 15% wattage.
- Instant-Flow Micro is ideal for sensor/hands-free faucets with the 40°C factory preset setting temperature ; no mixing valve needed
- Factory setting of 43°C or above require cold water mixing at the hand wash faucet.
- Microprocessor limits temperature increase according to the pre-selected temperature decrease.



Chronomite Laboratories assumes no responsibility for use of void or suspended data. © Copyright Chronomite Laboratories, Inc. Member of Morris Group International, City of Industry, CA Please visit [www.chronomite.com](http://www.chronomite.com) for most current specifications.

SELECTION SUMMARY & APPROVAL FOR MANUFACTURING

Company \_\_\_\_\_

Model Number & Options \_\_\_\_\_ Quantity \_\_\_\_\_

Contact \_\_\_\_\_ Title \_\_\_\_\_

Signature (Approval for Manufacturing) \_\_\_\_\_ Date \_\_\_\_\_

**CHRONOMITE**  
LABORATORIES, INC.  
PH. 800-447-4962  
626-937-4270  
FAX 626-937-4279  
[www.chronomite.com](http://www.chronomite.com)

# INSTANT-FLOW® MICRO - LOW FLOW

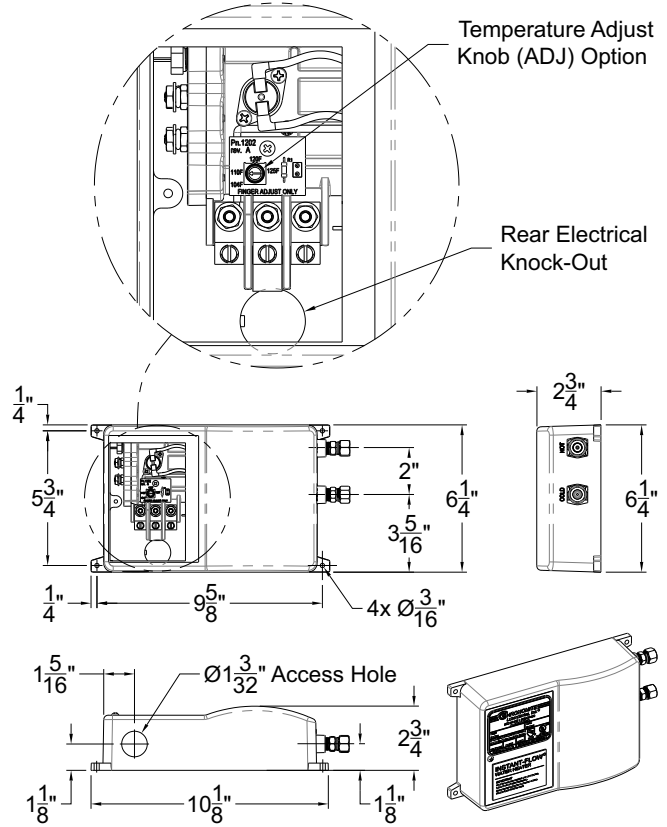
## TECHNICAL DIMENSIONS

### INSTANT-FLOW® MICRO - LOW FLOW

Dimensions:	6-1/4" (H) x 9-5/8" x 2-3/4"
Weight:	5 lbs.
Materials:	Rugged cast aluminum housing Celcon plastic element assembly with nichrome coils
Housing Color:	White
Minimum Operating Flow Rate:	0.35 GPM
Minimum Operating Pressure:	25 PSI
Maximum Operating Pressure:	80 PSI
Maximum Pressure:	150 PSI
Maximum Water Temperature:	160°F
Maximum Ambient Operating Temperature:	140°F
Listing:	UL, IAPMO, UPC, ADA, ETL

#### GENERAL NOTES:

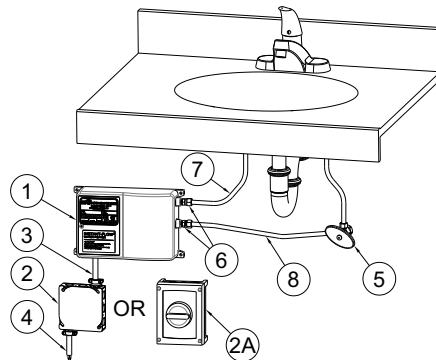
- The microprocessor adjusts the heater's power for variations in flow rates, inlet water temperature and pressure to assure the selected factory preset water temperature.
- 240V models when operated at 220V will have approximately a 15% wattage decrease.
- 120V models when operated 110V will have approximately a 15% wattage decrease.
- Instant-Flow Micro is ideal for sensor/hands-free faucets with the 104°F factory preset setting temperature ; no mixing valve needed
- Factory setting of 110°F or above require cold water mixing at the hand wash faucet.
- Microprocessor limits temperature increase according to the pre-selected temperature.



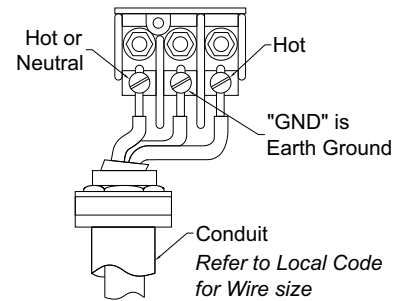
#### Notes:

1. Heater to be installed below the level of all hot water outlets serviced by the Heater.
2. Diagram shown with standard 3/8" Compression Fitting. Optional 1/2" NPT Male water connections available.

- 1 Instant-Flow Micro Heater
- 2 Electrical Junction Supply Box (Optional)
- 2A 2095-1 Disconnect Switch (Optional)
- 3 Electrical Supply Conduit
- 4 Electrical Supply Wire
- 5 Dual Outlet Stop, 3/8" Comp. Outlet Connections
- 6 3/8" Comp. x 1/4" NPT Fittings (supplied)
- 7 3/8" Hot Water Outlet
- 8 3/8" Cold Water Inlet



#### WIRING CONNECTION



#### ATTENTION:

**Unit must be hard wired.**

NOTE: Heaters are single phase. All tests are measured at the output of the heater.

Chronomite Laboratories assumes no responsibility for use of void or suspended data. © Copyright Chronomite Laboratories, Inc. Member of Morris Group International, City of Industry, CA Please visit [www.chronomite.com](http://www.chronomite.com) for most current specifications.

SELECTION SUMMARY & APPROVAL FOR MANUFACTURING

Company \_\_\_\_\_

Model Number & Options \_\_\_\_\_ Quantity \_\_\_\_\_

Contact \_\_\_\_\_ Title \_\_\_\_\_

Signature (Approval for Manufacturing) \_\_\_\_\_ Date \_\_\_\_\_

**CHRONOMITE**  
LABORATORIES, INC.

PH. 800-447-4962

626-937-4270

FAX 626-937-4279

[www.chronomite.com](http://www.chronomite.com)