

# ELECTRIC MINI TANK - WATER HEATERS

## INSTALLATION AND OPERATION INSTRUCTIONS

### (CMT-1.3, CMT-2.5, CMT-4.0 & CMT-6.0)



CMT-1.3, CMT-2.5, CMT-4.0 & CMT-6.0



CMT-ST70  
Tempering Valve

## TABLE OF CONTENTS

Important Safety Instructions . . . . .	2
General Information . . . . .	2
Technical Data . . . . .	3-4
Technical Description, . . . . .	5
Installation Instructions . . . . .	6
Plumbing Connections . . . . .	6
Temperature & Pressure Relief Valve . . . . .	7
Filling the Water Heater . . . . .	8
Electrical Connections . . . . .	9
Instructions for use . . . . .	10
Maintenance Instructions . . . . .	11-13
Troubleshooting . . . . .	14
Schematic Disassembly & Parts List . . . . .	15
Warranty . . . . .	16

## REQUIRED ITEMS FOR INSTALLATION NOT SUPPLIED

- ✂ 1/2" NPS Flex Hose (2)
- ✂ Carpenters level
- ✂ Adjustable Wrench
- ✂ Flat Head Screwdriver
- ✂ Phillips Head Screwdriver
- ✂ Teflon Tape or Pipe Dope

Acorn Engineering Company™ assumes no responsibility for use of void or superseded data.  
© Copyright Acorn Engineering, City of Industry, CA Member of Morris Group International.  
Please visit [www.chronomite.com](http://www.chronomite.com) for most current specifications.

3100-010-001  
5/21 REV 2

**COMPLIES WITH STANDARDS**



Member of **MORRIS GROUP**  
INTERNATIONAL

**CHRONOMITE**  
Water Heaters

17451 Hurley St.  
City of Industry, CA  
91744 U.S.A.  
Phone 800-447-4962  
626-937-4270

[www.chronomite.com](http://www.chronomite.com)

## IMPORTANT SAFETY INSTRUCTIONS

**Warning:** When using electrical appliances, safety precautions to reduce the risk of fire, electric shock or injury to persons should be followed, including:

1. Read all these instructions before using this water heater.
2. This water heater must be grounded. Connect only to properly grounded outlet. See “Grounding instructions” found on page 9.
3. Install or locate this water heater only in accordance with the provided installation instructions.
4. Use this water heater only for its intended use as described in this manual.
5. Do not use an extension cord set with this water heater. If no receptacle is available adjacent to the water heater, contact a qualified electrician to have one properly installed.
6. As with any appliance, close supervision is necessary when used by children.
7. Do not operate this water heater if it has a damaged cord or plug, if it is not working properly, or if it has been damaged or dropped.
8. This water heater should be serviced only by qualified service personnel. Contact nearest authorized service facility for examination, repair, or adjustment.
9. If the unit is installed in an area where there is a potential for freezing, the instructions on page 9 must be followed.
10. Do not use surge protectors or multi-outlet adapters with this water heater.

### Save these instructions

The manufacturer and/or distributor is not responsible for damages caused by improper installation, or by non observance of the instructions in this manual. A qualified, licensed technician must always install the water heater and conduct all subsequent service work and or maintenance.

### Important!!

Never turn the water heater power on until the tank is completely full and water is flowing out of the hot water faucet.

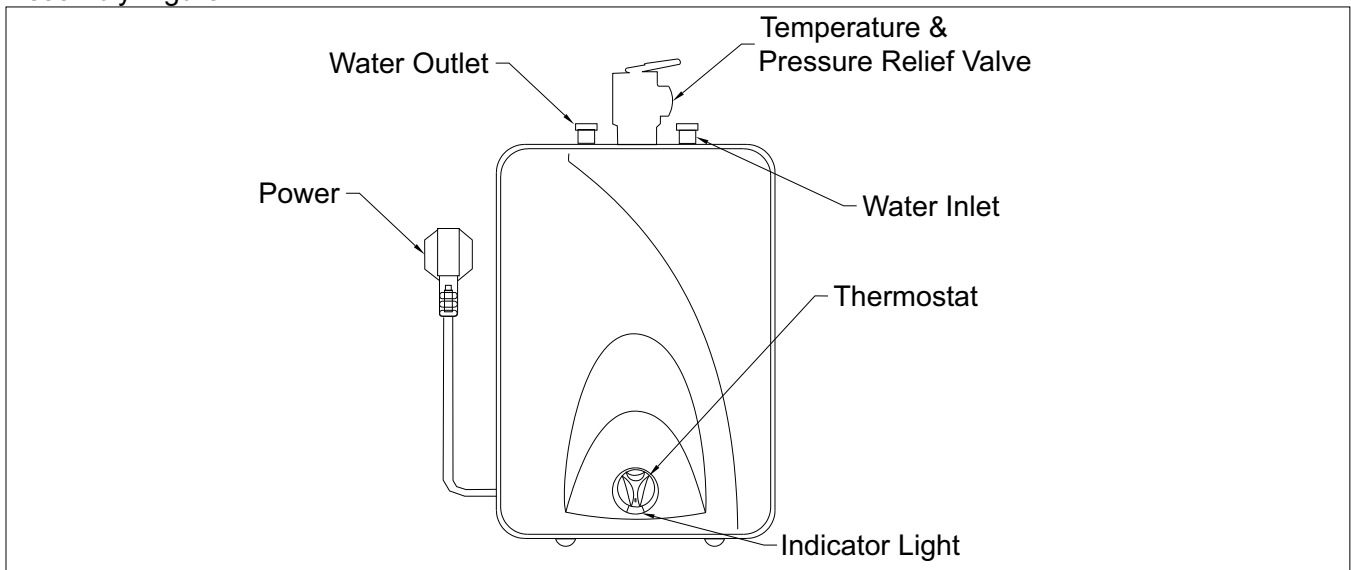
### General Information

The Chronomite Mini Tank water heaters can be used in most under the counter, point of use applications. Models CMT-1.3, CMT-2.5, CMT-4.0 and CMT-6.0 are designed to supply hot water for hand washing in a residential, commercial or industrial environment. The Chronomite Mini tank water heaters are lightweight and compact and manufactured for easy installation. The CMT-1.3, CMT-2.5, CMT-4.0 and CMT-6.0 are designed to be mounted on the wall, or sit on floor.

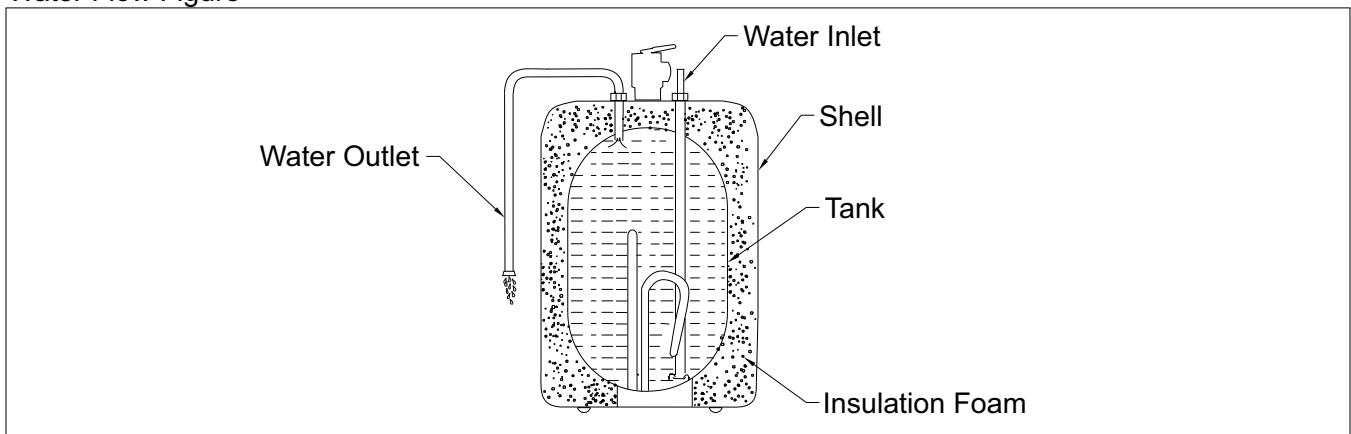
## TECHNICAL DATA

Model		CMT-1.3	CMT-2.5	CMT-4.0	CMT-6.0
Capacity	Gallons	1.3	2.5	4.0	6.0
Voltage	Vac	110-120	110-120	110-120	110-120
Power at 120 VAC	Watts	1440	1440	1440	1440
Max. Water Pressure	PSI	150	150	150	150
Weight (empty)	LBS.	12.5	20	24	26
Amperage	Amps	12	12	12	12
Phases		1	1	1	1

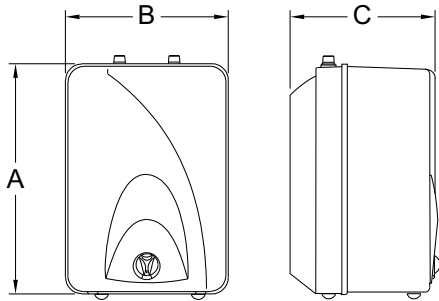
Assembly Figure



Water Flow Figure

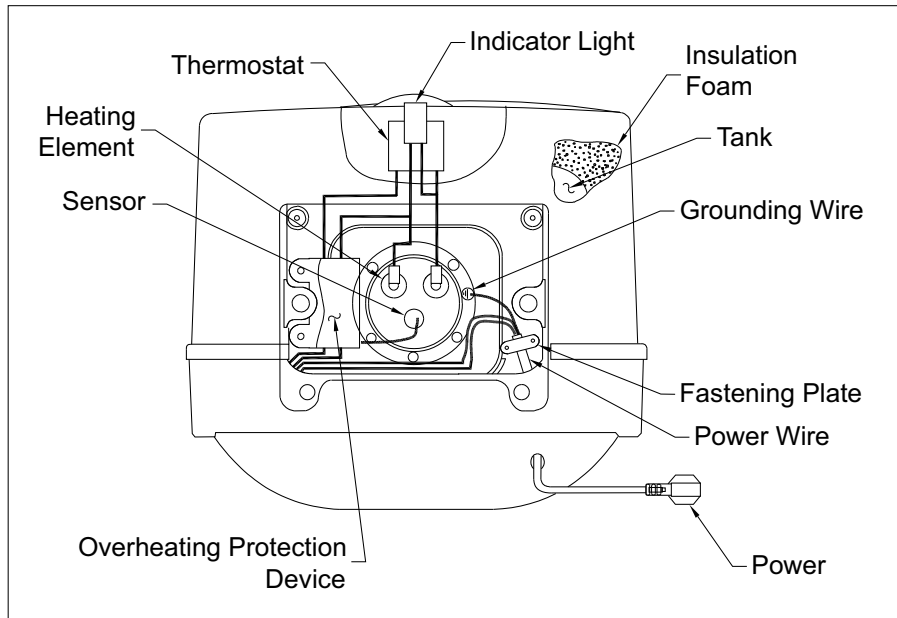


## TECHNICAL DATA (Continued)

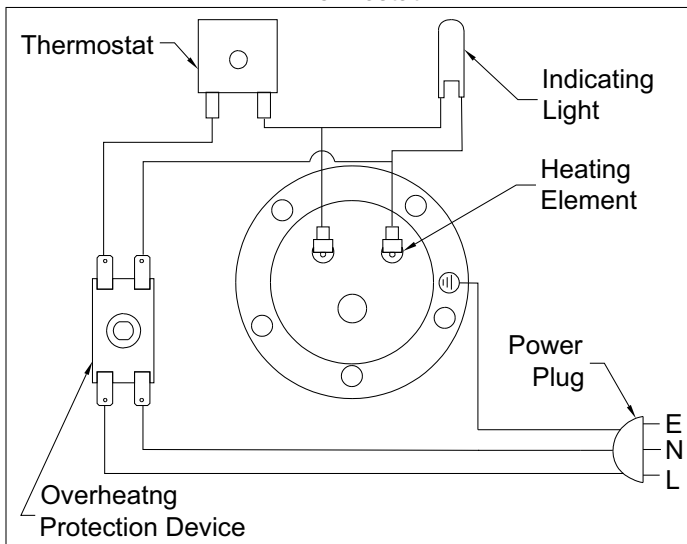


Dimensions				
Model	CMT-1.3	CMT-2.5	CMT-4.0	CMT-6.0
A (inch)	12-1/2"	14-1/2"	19-1/4"	18"
B (inch)	11"	11-3/4"	11-3/4"	15-3/4"
C (inch)	10"	10-3/8"	10-3/8"	15-1/2"

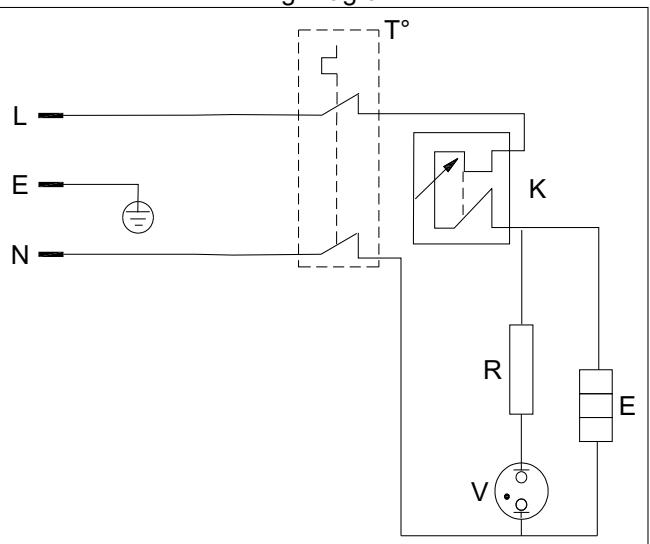
Schematic Construction



Thermostat



Wiring Diagram



## TECHNICAL DESCRIPTION

The CMT-1.3, CMT-2.5, CMT-4.0 and CMT-6.0 are designed to operate at 150 PSI maximum water pressure. Install a pressure reducing valve if your water pressure is greater than 80 PSI.

**Caution!** The manufacturer cannot be responsible for the damage caused by improper installation or by failure to follow instructions in this manual. Comply with the Installation Instructions before connecting to electrical outlet.

**Caution!** The adjustable thermostat knob has not been pre-set at the factory to the lowest setting 10°C (50°F). Refer to page 10 for instructions.

**Caution!** Hydrogen gas can be produced in a hot water system served by this heater that has not been used for a long period of time (generally 2 weeks or more). Hydrogen gas is extremely flammable. To reduce the risk of injury under these conditions, it is recommended that the hot water faucet be opened for several minutes at the nearest and most distant sink being served by this water heater before using any electrical appliance connected to the hot water system i.e. Dishwasher. If hydrogen gas is present, there will probably be an unusual sound such as air escaping through the faucet as the water begins to flow. There should be no smoking or open flame near the faucet at this time.

**Warning:** Installer should review the contents of this manual with the owner upon completion of the installation, and the manual should remain with the owner and placed in a location close to the water heater.

### **Technical Description**

There are four (4) Chronomite Mini tank models, a 1.3, 2.5, 4.0 and 6.0 gallon. The pressure vessel (water tank) is welded, glass lined steel and is equipped with an anode rod. The water heater is equipped with a thermostat and a high limit temperature switch. A temperature pressure relief valve is supplied with the unit.

## **INSTALLATION INSTRUCTIONS FOR CMT-1.3/CMT-2.5/CMT-4.0/CMT-6.0**

The installation must be completed by a licensed professional. All state and local codes must be adhered to. The manufacturer will not be liable for any damages because of failure to comply with these installation instructions or because of improper installation performed by an unqualified installer.

**Choose a location that allows ease of access for maintenance or servicing, ideally installed at least 8” to 9” from the ceiling (inside top of cabinet) or any adjacent walls.**

### **Wall Mounting**

Fasten the supplied mounting bracket to the wall. Use screws that are suitable for the wall material and the weight of the water heater filled to capacity (CMT-1.3 = 24 lbs CMT-2.5 = 41 lbs, CMT-4.0 = 57 lbs and CMT-6.0 = 76 lbs). Hang the water heater on the bracket and pull downwards on the water heater to insure that both “fingers” of the bracket are seated in the mounting slots. Confirm your water piping orientation (hot and cold) before wall mounting. Only install in vertical position.

Heater can sit on the floor. Confirm water piping orientation before finalizing on floor. Again, only install in vertical position! CMT models can also be installed under the sink.

### **Plumbing Connections**

Connect the cold water inlet pipe to the inlet nipple (marked with a blue ring) and the hot water outlet pipe to the outlet nipple (marked with a red ring).

**Important:** If Water pipes are copper or bronze, use dielectric connections to prevent corrosion. Failure to provide dielectric insulation may result in premature tank or nipple failure and may void your warranty. Insure that the water heater is installed in a level position. Install a shut off valve on the cold water side of the water heater. The valve is for servicing and the valve should be in the open position when the water heater is in operation. In order to protect the water heater from heat damage due to soldering, solder a piece of tubing to a threaded union fitting before screwing the union to the tank. Do not apply heat directly to inlet or outlet connections.

## TEMPERATURE & PRESSURE RELIEF VALVE

**Caution!** Install the Temperature/Pressure Relief Valve supplied with the water heater!

Install a discharge pipe from the temperature/pressure relief valve terminating at a sink or drain. **Do not cap or plug the end of the discharge pipe. The discharge pipe must be unobstructed and full sized.** The T/P valve is certified by a nationally recognized test lab that maintains periodic inspections of the listed equipment and meets the requirements for relief valves and automatic shut off devices for hot water supply systems ANSI 121.22-1979. The T/P valve is marked with a maximum pressure, which does not exceed the maximum working pressure of the water heater (150 PSI). Install the T/P valve into the threaded opening at the top of the water heater using heavy duty Teflon tape. **Do not over tighten!** Orient the discharge tubing so that any discharge from the valve will exit within 6 inches above, or at any distance below the structural floor, and cannot contact any live electrical part.

### T/P Valve Discharge Pipe

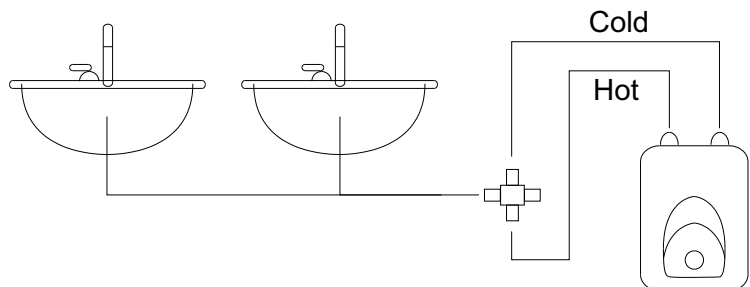
1. Must not be smaller in diameter than the outlet diameter of the valve, or have any reducing couplings.
2. Must not be plugged or blocked.
3. Must be made of suitable material for hot water.
4. Must not be over 15' in length.
5. Must not have more than two elbows.
6. Must terminate at an adequate drain.
7. Must not have a shut off valve between relief valve and tank or relief valve and termination of discharge.

### Tempering Valve

CMT-ST70 (optionally available)

See product sheet for details

1. Used on single temperature faucets
2. 1/2 NPT connections
3. Factory preset 105° F (41° C)



## FILLING THE WATER HEATER

### Closed System Thermal Expansion:

Periodic discharge of the T/P relief valve or failure of the element gasket may be due to thermal expansion in a closed water supply system. The water utility supply meter may contain a check valve, back flow preventer or water pressure reducing valve which will create a closed water system. During the heating cycle of the water heater, the heated water expands causing pressure inside the water heater to increase. The T/P relief valve may discharge hot water under these conditions which results in a loss of energy and a build up of lime on the relief valve seat.

### **To prevent this from happening, there are two recommendations:**

1. Install a diaphragm-type domestic hot water expansion tank (suitable for potable water) on the cold water supply line. The expansion tank must have a minimum capacity of 1.5 U.S. gallons for every 50 gallons of stored water.
2. Install a 125 PSI pressure relief valve in the cold water supply line. Make sure the discharge of this valve is directed to an open drain and protected from freezing. Contact your local water utility or plumbing inspector for information on how to control this situation. Never plug the outlet of the relief valve.

### Filling the Water Heater

**Caution!** Before plugging the water heater electric cord into an outlet, be sure that the system is completely charged with water and All AIR IS REMOVED. Before connecting the power, fill the tank and system with water and check for leaks. To be sure that all air is out of the water system, open the hot water faucets on your fixtures until constant water flows from them. Otherwise any air remaining in the tank will cause the water heater element to self destruct.

### Procedure:

1. Open the hot water faucet.
2. Open the cold water supply valve.
3. When continuous water flows out of the faucet, the tank is filled.
4. Close the hot water faucet.
5. Check entire system for leaks.



## **ELECTRICAL CONNECTIONS**

### **Electrical Connections**

To be certain that all of the air is out of the water heater, open the hot water faucet on your fixtures until constant water flows from them. If air remains in the tank, the element will be damaged when the electric cord is plugged in.

### **Connect the Water Heater to a Grounded Outlet.**

The water heater is fitted with a power cord that is intended to plug into a grounded 110-120 VAC receptacle. Adhere to all pertinent State and local codes. Install the correct size circuit breaker into the master panel. The Chronomite water heater was manufactured and wired in accordance with UL requirements.

The water heater is equipped with an overheat limiting device with a manual reset. Also known as the temperature high limit, this device has been factory installed to interrupt the power supply in the event of a thermostat failure. This water heater is designed for only 110-120V electrical service!

**Do not connect to higher or lower voltage.**

Failure to use proper voltage may result in personal injury and/or property damage. If the supplied electrical power cord is either damaged or not long enough, do not use an extension cord. Have a licensed electrician replace the power cord.

## INSTRUCTIONS FOR USE

### Instructions for Use

**Congratulations!** You are now ready to use your water heater. Run the hot water at a nearby sink and evaluate the hot water temperature. Make any temperature adjustment using instructions provided.

### Setting the Thermostat

The water heater is equipped with an adjustable thermostat that once set will automatically control water temperature. The red indicator lamp remains illuminated while the water is being heated. If the water in the tank is at the desired temperature the lamp will NOT be illuminated. The temperature adjusting knob will increase the temperature by turning the knob clockwise and decrease the water temperature by turning the knob counter clockwise. When not being used for a lengthy period of time, you can conserve energy by reducing the water temperature setting.

### Setting the Freeze Protection:

When the water heater is not being used for an extended period of time and there is a risk of freezing, either unplug and drain the water heater or turn the thermostat knob to the snowflake position to guard against freezing. This position will keep the internal water temperature above the freezing point. See figure below.

Temperature adjusting knob in  
**"Freeze Protection"** position



# MAINTENANCE INSTRUCTIONS

## Maintenance Instructions

Do not attempt to repair this water heater yourself. Call a service person (plumber or electrician) for service assistance. Always unplug the power supply cord when the water is turned off or when servicing or draining the water heater. Before calling for service, first confirm that the water heater is properly filled and that 110VAC power has not been interrupted.

**Warning:** Before servicing or cleaning the water heater, turn off the power switch and disconnect the power cord from the electrical outlet.

**Note:** For most maintenance operations, the water heater will be drained. In all cases before draining first turn off the power switch and then unplug power cord.

## Draining and removing the water heater:

1. Unplug the water heater.
2. Open a hot water faucet to let hot water run out. Allow water to flow until water is no longer hot.
3. Turn off the cold water supply to the water heater.
4. Close the hot water faucet.
5. Disconnect the water heater from both the hot and cold water connections.
6. If possible siphon out remaining water.
7. Carefully detach the water heater from the wall.
8. Tilt the water heater to drain remaining water out of the heater.

## Removing the heating element:

1. Turn off power supply, unplug water heater power cord and drain (see above).
2. Remove cover.
3. Remove all the line wires from the heating element.
4. Unscrew the heating element retaining nuts.
5. Remove the element.

## Descaling the heating element :

Scale deposits can affect the heating capability of the element. Heavy scale can even cause the element to burn out. The element can be descaled chemically or manually.

1. Remove the heating element (see instructions above).
2. To descale chemically, soak the heating element in white vinegar or other descaling solution and then rinse well with fresh water.
3. To descale manually, let element dry and then using a non metallic brush similar to a tooth brush; brush the residue from the element. Avoid damaging the surface of the element.
4. Reinstall the element and gasket.
5. Refill tank with water before turning on the power to the water heater.

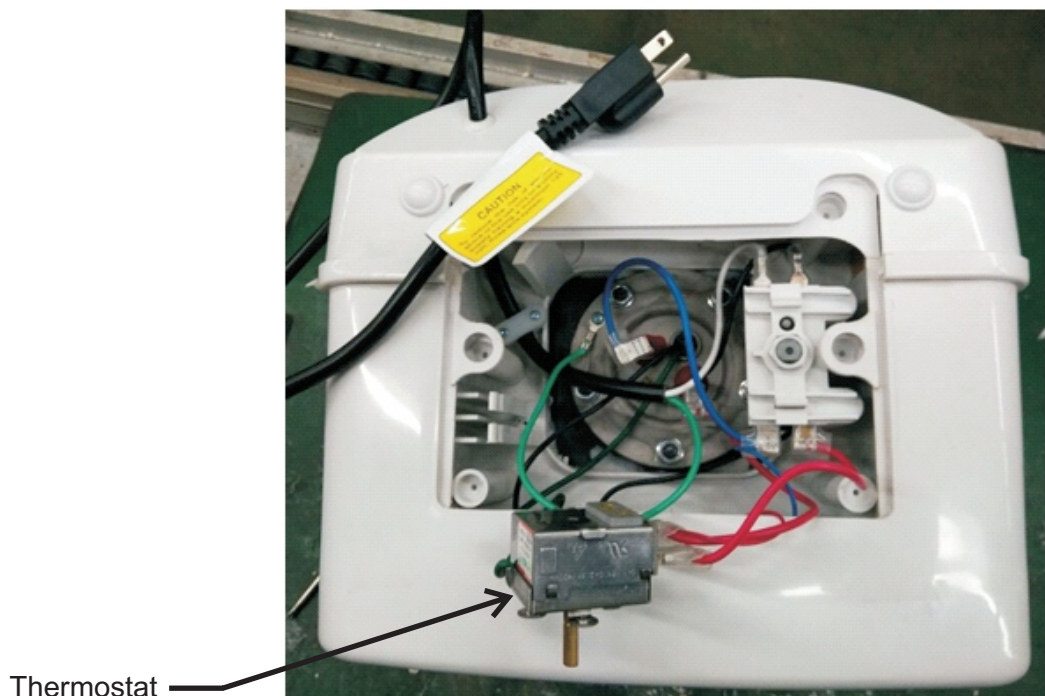
## MAINTENANCE INSTRUCTIONS (Continued)

### Replacing the Heating Element

1. Unplug and drain the water heater (see prior instructions).
2. Remove heating element noting original positions of all connections.
3. Install new element with gasket making sure the new element and gasket are positioned correctly.
4. Tighten retaining nuts and make the wire connections to their original locations.

### Changing the Thermostat

1. Turn off the power switch and unplug the water heater from the electric outlet.
2. Drain and remove the water heater. (see page 11)
3. Remove six screws retaining the bottom panel of the water heater and remove the panel.
4. Remove thermostat knob and unscrew two retaining screws. It may be necessary to pry the knob off of the thermostat spindle. Now remove front panel.
5. Disconnect the push-pull wire connectors on the thermostat noting which connector goes to which terminal. Terminals are marked.
6. Remove the thermostat probe from the well.
7. Install new thermostat, attach wires and tighten screws.



## MAINTENANCE INSTRUCTIONS (Continued)

### Resetting the High Limit Switch

For various reasons the high limit safety shut off switch will occasionally shut the water heater down. This shut down will occur when water temperatures exceed 190°F. Power is automatically turned off to the heating element. The shut off device may also activate as a result of a power outage or an electrical storm.

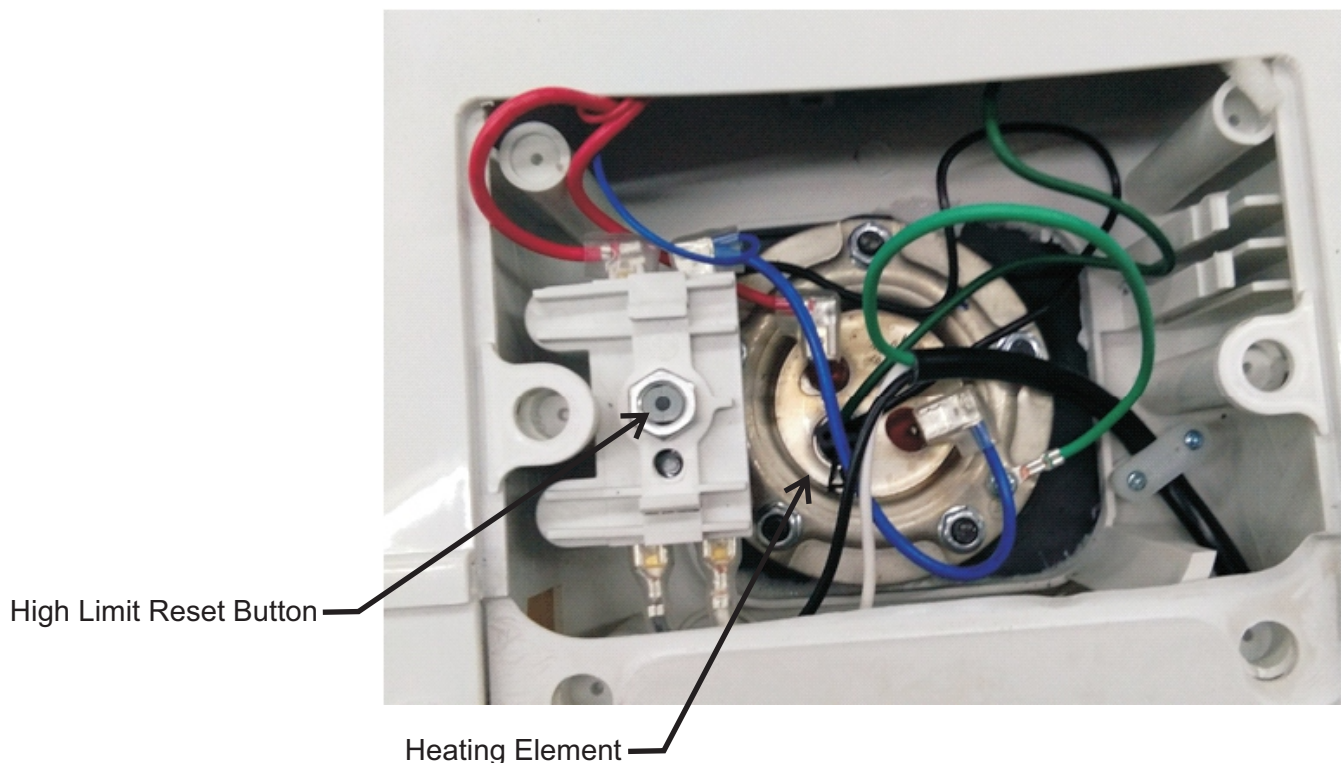
**Note:** Do not attempt to reset the high limit switch without first allowing the water heater to cool down the high temperature water inside the heater.

**Warning:** Do not tamper with the reset button to override overheating shut down.

1. Turn off the power switch and unplug the water heater from the electric outlet.
2. Drain and remove the water heater. (see page 11)
3. Remove six screws retaining the bottom panel of the water heater and remove the panel. Locate the high limit reset button.
4. Depress the small red button in the center of the junction box, replace the bottom panel and place the water heater back into service.

**Note:** A lower temperature setting saves energy and reduces the risk of scalding.

**Caution:** Call a technician if the high limit needs to be reset frequently.



High Limit Reset Button

Heating Element

## **TROUBLESHOOTING**

### **Problem: Water does not get hot**

1. Make sure the power supply is on and working.
2. If light does not come on, check that the reset button is pushed in; follow steps from previous section.
3. If the indicator light is illuminated, but water temperature does not get hot at the sink, test for a plumbing crossover as follows; shut off cold water supply to water heater and open hot water tap. There should be no water flowing. Any continuous flow indicates a cross over which will effect the temperature and will need to be corrected.
4. If there is no crossover, then replace the heating element (see previous sections).

### **Problem: Indicator light not on**

1. If the light does not come on, but water gets hot, check for faulty indicator light.
2. Check reset button; follow steps from previous section.

### **Problem: Brown water**

1. Brown or rusty water indicates a “spent” anode rod. Replace anode rod.

### **Problem: Odor in water**

1. Smelly water could be due to an unusual reaction between local water and the heater’s anode rod. Check anode rod.

### **Problem: Water is too hot**

1. Turn the temperature knob counter clockwise to a lower temperature setting. If temperature does not lower within 60 minutes, then replace thermostat.

### **Problem: Water is not hot enough**

1. Under Instructions for Use, see “Setting the thermostat”.

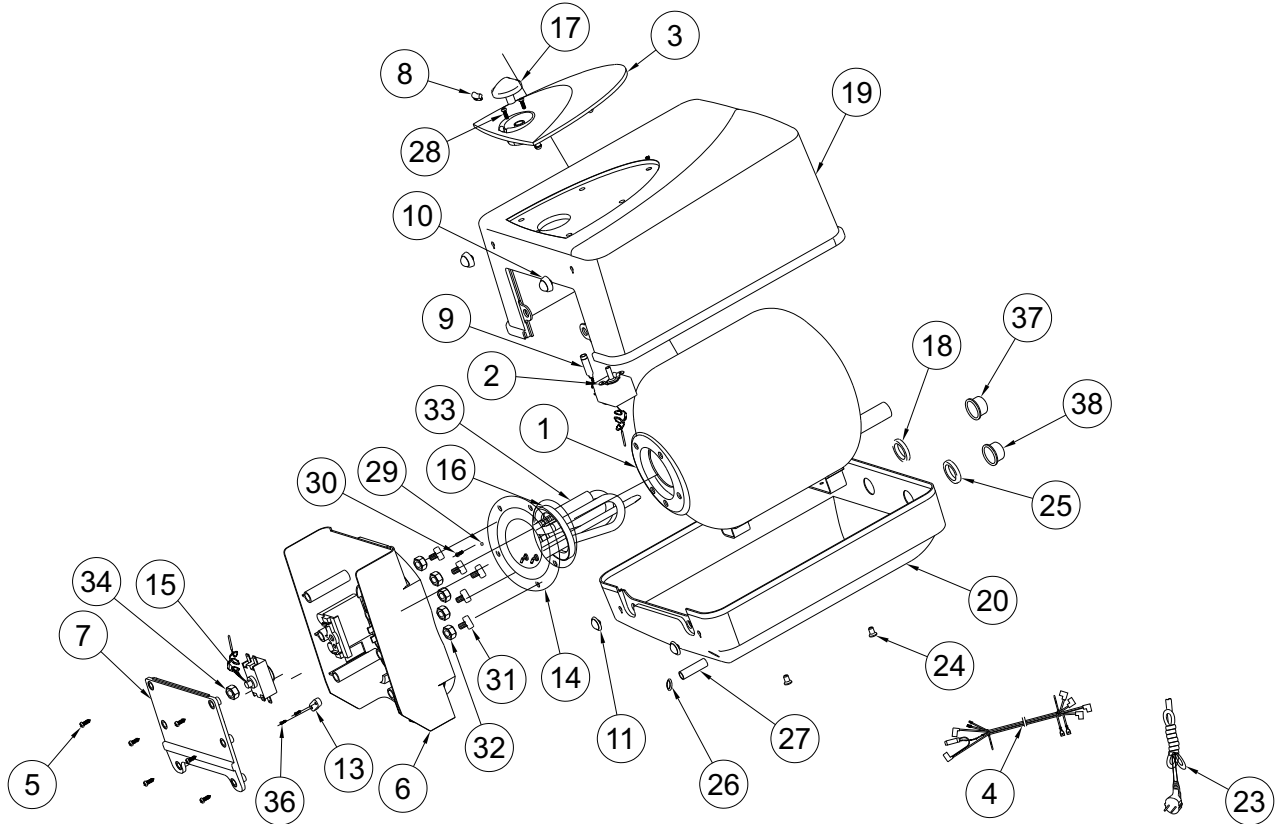
### **Problem: Water is leaking**

1. Turn off power switch and unplug water heater from 110 VAC outlet.
2. Check water fittings and T&P fitting in the top of the tank.
3. Remove cover and inspect heating element gasket



# SCHEMATIC DISASSEMBLY & PARTS LIST

## Schematic Disassembly CMT-1.3/CMT-2.5/CMT-4.0/CMT-6.0



No.	Name of Part	Qty.	No.	Name of Part	Qty.
1	Tank Component	1	20	Back Cover	1
2	Thermostat	1			
3	Temp. Adjust Panel	1			
4	Inside Wiring Assembly	1	23	Power Cord	1
5	Cross Screws	6	24	Screw	2
6	Inside Cover	1	25	Blue Circle	1
7	Bottom Cover	1	26	Power Cord Sheath	1
8	Indicate Light Cover	1	27	Power Cord Sheath Press	1
9	Power Indicate Light	1	28	Cross Screw	2
10	Support 1	2	29	Connect Plate	1
11	Support 2	2	30	Cross Screw	1
			31	Bolt	5
13	Wire Press Plate	1	32	Nut	5
14	Heating Element	1	33	Aluminum Anode Rod	1
15	Over Heat Limiter	1	34	Bolt	1
16	Heating Element Gasket	1			
17	Temp. Control Knob	1	36	Cross Screw	2
18	Red Circle	1	37	Red Thread Cover	1
19	Front Cover	1	38	Blue Thread Cover	1

**CHRONOMITE TECHNICAL SUPPORT**

**TOLL FREE 800-447-4962 • LOCAL 626-937-4270 • FAX 626-937-4279**



**MAIL ADDRESS**

P.O. BOX 3527  
CITY OF INDUSTRY, CA 91744 U.S.A.

**PHYSICAL ADDRESS**

17451 HURLEY STREET  
CITY OF INDUSTRY, CA 91744 U.S.A.

**TOLL FREE 800-447-4962 • LOCAL 626-937-4270**  
**FAX 626-937-4279 • WEB [www.chronomite.com](http://www.chronomite.com)**

---

## **WARRANTY INFORMATION**

Your Electric Mini Tank water heater has been engineered and built to the highest quality standards and is backed by a full, factory warranty. Every Electric Mini Tank water heater is guaranteed to be free from defects in material and workmanship for a period of (1) year from the date of purchase. The above warranty applies to original purchaser if unit is installed per Chronomite Laboratories, Inc.'s Installation Instructions. Chronomite Laboratories, Inc. will repair or exchange parts at the factory at no cost. This warranty is limited to repairing or replacing said products which prove to be defective upon factory inspection, F.O.B. City of Industry, California.

### **EXCLUSION OF COVERAGE FROM THIS LIMITED WARRANTY:**

1. Chronomite is not liable under this limited warranty or otherwise if the water heater has not been installed or maintained in accordance with Chronomite's printed instructions or installed with improper installation materials. In addition, the water heater or any of its component parts have been subject to misuse, neglect, alteration or accident and the water heater has not been installed in accordance with the applicable local plumbing and or building codes and/or regulations.
2. Chronomite is not liable under this warranty if the water heater has not been continuously supplied with potable water or the water inlet temperature is above Chronomite's recommended maximum temperature. In addition, water heater experiences any water pressure or flow interruptions, normal operation inlet water pressure is outside of the published specification (UPC 2009), or exposed to any condition that causes the heater to turn on before the air is purged from the heater also known as "dry fire."
3. Chronomite is not liable if the water heater has been exposed to conditions resulting from floods, earthquakes, winds, fire, freezing, lightning or circumstances beyond Chronomite's control, or has been used for other than the intended purpose.

**If violation occurs from the stated exclusions of coverage from this limited warranty or thereafter; owner, and not Chronomite or its agent/representative, is liable for and shall pay for all field charges, labor, water heater, damage or other expenses incurred in the repair or replacement of the water heater.**