



BRADFORD WHITE[®]
W A T E R H E A T E R S

**INDIRECT WATER HEATER
REPLACEMENT PARTS LIST**

**PowerStor[®] Series SS
Single-Wall Indirect Water Heater Models**

SS-(30,40,50,75,120)-L



Includes Hydrojet[®]
Total Performance System

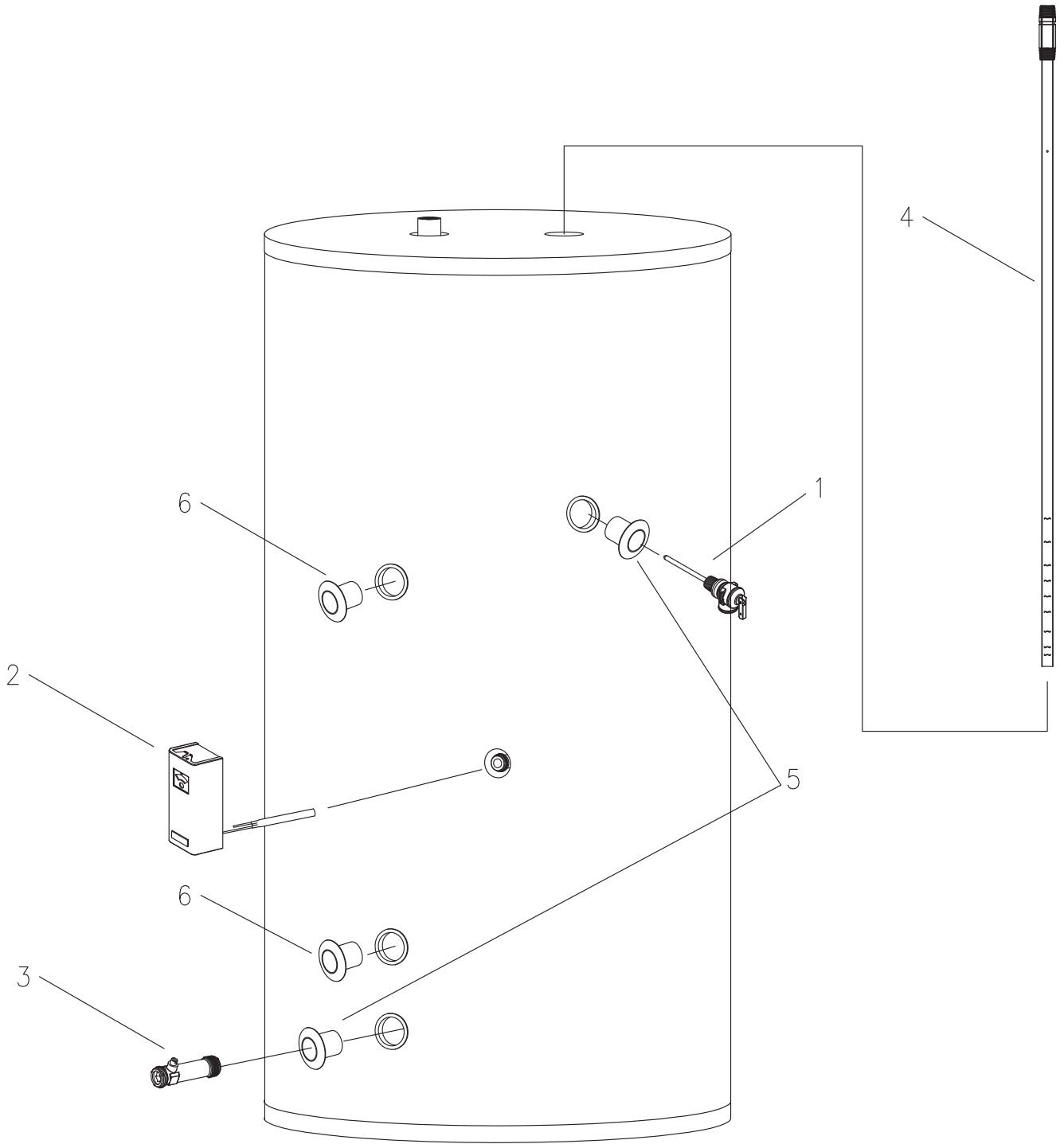
***Effective: April, 2018
ECO 8105***

**NOTE: BOTH MODEL AND SERIAL
NUMBERS ARE REQUIRED FOR
ORDERING REPLACEMENT PARTS**

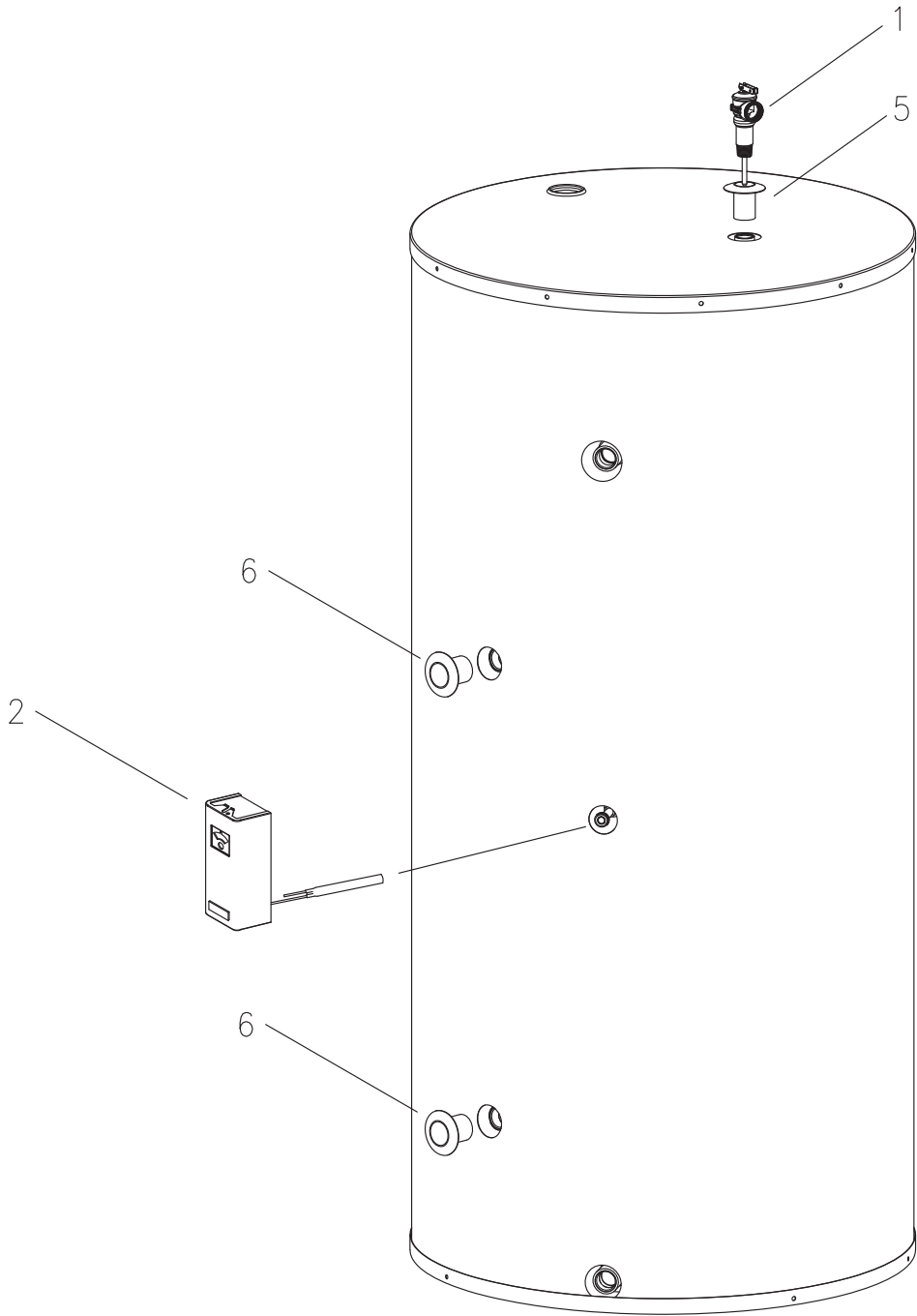
Dimensions and specifications
subject to change without notice.

WARNING
CANCER AND REPRODUCTIVE HARM
WWW.P65WARNINGS.CA.GOV

As required by the state of California Proposition 65.



Item	Description	Model	Model	Model	Model
		SS-30-L	SS-40-L	SS-50-L	SS-75-L
1	T&P Relief Valve	230-40594-02	230-40594-02	230-40594-02	230-40594-02
2	Aquastat	233-43381-00	233-43381-00	233-43381-00	233-43381-00
3	Drain Valve	227-48070-01	227-48070-01	227-48070-01	227-48070-01
4	Diptube	229-52964-01	229-52964-02	229-52964-03	229-52964-04
5	T&P/Drain Escutcheon	239-52963-00	239-52963-00	239-52963-00	239-52963-00
6	Coil Fitting Escutcheon	239-52966-00	239-52966-00	239-52966-00	239-52966-00



Item	Description	Model
		SS-120-L
1	T&P Relief Valve	230-40594-02
2	Aquastat	233-43381-00
3	Drain Valve	N/A
4	Diptube	N/A
5	T&P/Drain Escutcheon	239-52963-00
6	Coil Fitting Escutcheon	239-52966-00



BRADFORD WHITE®

W A T E R H E A T E R S

Ambler, PA

For U.S. and Canada field service,
contact your professional installer or
local Bradford White sales representative.

Sales/800-523-2931
Fax/215-641-1670
Parts Fax/215-641-2180

Technical Support/800-334-3393
Fax/269-795-1089

Warranty/800-531-2111
Fax/269-795-1089

International:
Telephone/215-641-9400
Telefax/215-641-9750



BRADFORD WHITE™

W A T E R H E A T E R S

Halton Hills, Ontario, Canada

Sales & Technical Support/866-690-0961
905-203-0600

Fax/905-636-0666

Email

parts@bradfordwhite.com
techserv@bradfordwhite.com

www.bradfordwhite.com