



INSTALLATION, OPERATION & MAINTENANCE INSTRUCTIONS

1455 Kleppe Lane ♦ Sparks, NV 89431-6467 ♦ (775) 359-4712 ♦ Fax (775) 359-7424
E-mail: haws@hawsco.com ♦ website: www.hawsco.com

No. 0580000836(1)

Model 7610S Eye/Face Wash

NOTE TO INSTALLER: Please leave this information with the Maintenance Department.

LIMITED WARRANTY

HAWS warrants that this specific product is guaranteed against defective material or poor workmanship for a period of **one year from date of shipment**. HAWS liability under this warranty shall be discharged by furnishing without charge F.O.B. HAWS Factory any goods, or part thereof, which shall appear to the Company upon inspection to be of defective material or not of first class workmanship, provided that claim is made in writing to Haws within a reasonable period after receipt of the product. Where claims for defects are made, the defective part or parts shall be delivered to the Company, prepaid, for inspection. HAWS will not be liable for the cost of repairs, alterations or replacements, or for any expense connected therewith made by the owner or his agents, except upon written authority from HAWS, Sparks, Nevada. HAWS will not be liable for any damages caused by defective materials or poor workmanship, except for replacements, as provided above. Buyer agrees that Haws has made no other warranties either expressed or implied in addition to those above stated, except that of title with respect to any of the products or equipment sold hereunder and that HAWS shall not be liable for general, special, or consequential damages claimed to arise under the contract of sale.

The emergency equipment manufactured by HAWS is warranted to function if installation and maintenance instructions provided are adhered to. The units also must be used for the purpose for which they were intended. This product is intended to supplement first-aid treatment. Due to widely varying conditions, Haws cannot guarantee that the use of this emergency equipment will prevent serious injury or the aggravation of existing or prior injuries.

NO OTHER WARRANTIES EXPRESSED OR IMPLIED ARE AUTHORIZED, PROVIDED OR GIVEN BY HAWS.

SHOULD YOU EXPERIENCE DIFFICULTY WITH THE INSTALLATION OF THIS MODEL PLEASE CALL:

TECHNICAL SUPPORT: 1-800-766-5612

FOR CUSTOMER SERVICE: 1-888-640-4297

LOCATION OF UNIT: The Model 7610S Eye/Face wash should be installed in close proximity to potential accident areas. It should be clearly identified, free from obstructions and easy to access.

SUPPLY LINE: The minimum recommended line size is 1/2" IPS with 30-90 psi (2-6 ATM) pressure. Where sediment or mineral content is a problem, an inlet filter is recommended.

PLUMBING CONNECTIONS: Inlet supply is 1/2" O.D. slip joint.

INSTALLATION INSTRUCTIONS

NOTES: Instructions apply to both models unless otherwise specified.

Refer to installation drawings to clarify installation procedure.

This product is shipped assembled for use as a 7610S Deck Mounted Eyewash. To convert to 7610S Wall Mounted Eyewash, follow steps 1 and 2 below and refer to diagrams on page 6 of 7. Otherwise, skip to Step 3.

STEP 1: Position arm in "Deck Mount Off Position" as shown in Step 1 on page 6 of 7.

STEP 2: Note depth of set screw (referenced during reassembly). Loosen set screw from cap with 3/32" hex wrench. Rotate eyewash arm 90 degrees clockwise while making sure to not rotate the spool. Ensure that set screw is aligned with indent before tightening the set screw in the new arm position. Make sure the set screw is tight and at its original depth. If the set screw is too shallow, this is an indication that it has not properly engaged its indent and the eyewash will not function properly. Ensure correct arm orientation before proceeding with installation instructions outlined below. See Page 6 of 7 for reference drawings.

STEP 3: Remove the 1.25 O.D. flange nut and washer from valve body.

STEP 4: After making sure that the surfaces around the drilled hole are clean and free of grease, slide valve through drilled hole.

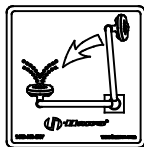
STEP 5: Reinstall the 1.25" O.D. flange nut and washer. Connect slip joint connection to complete installation.

STEP 6: Assemble eye/face wash assembly to arm, orient tab on assembly away from user.

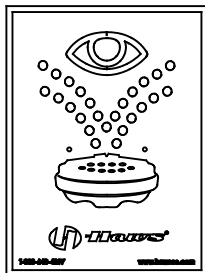
TROUBLESHOOTING	
PROBLEM	REPAIR CHECKLIST
1. No flow.	1. Check the main shut-off valve.
2. Insufficient water flow.	2. a. Verify minimum 30 psi (2 ATM) flowing supply line pressure. b. Probable clogging of flow control due to inadequate line flushing. Unscrew eye/face wash head and remove the four screws to disassemble head. Clean flow control and reassemble head.
3. Eyewash stream does not meet desired eye level.	3. a. Possible blocked flow control, see above solution. b. Possible non-leveled eyewash assembly.

For more information about Haws products, see our website: www.hawesco.com

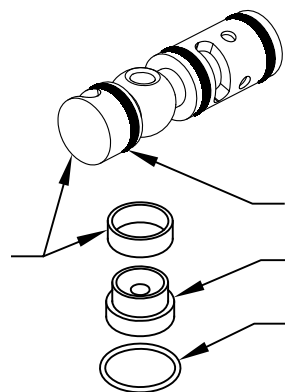
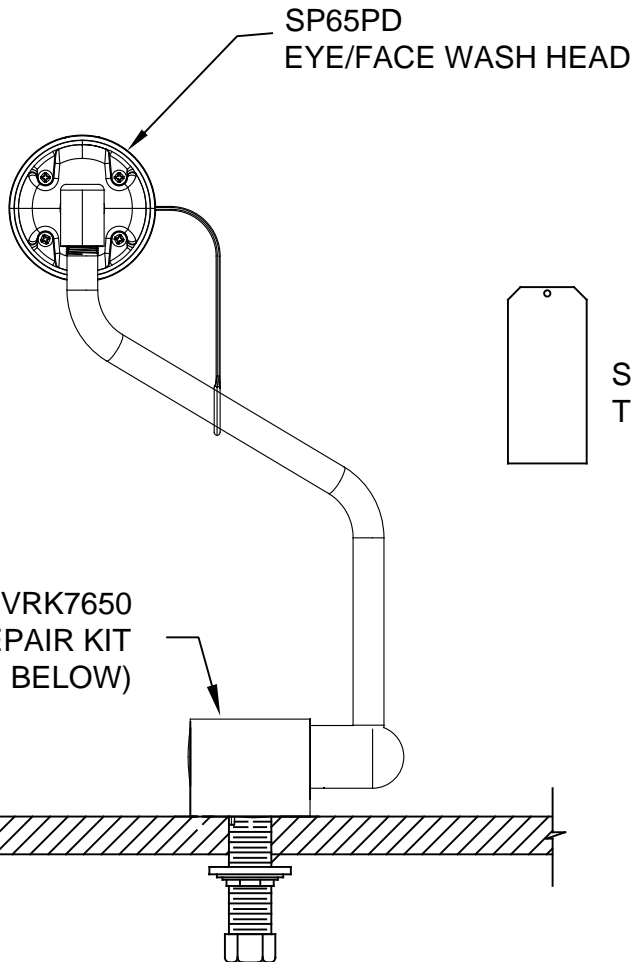
PARTS BREAKDOWN



PULLDOWN EYE/FACE WASH LABEL
P/N 0003163821



SP175 EYEWASH SIGN



SPOOL AND SLEEVE ARE NOT INCLUDED WITH KIT

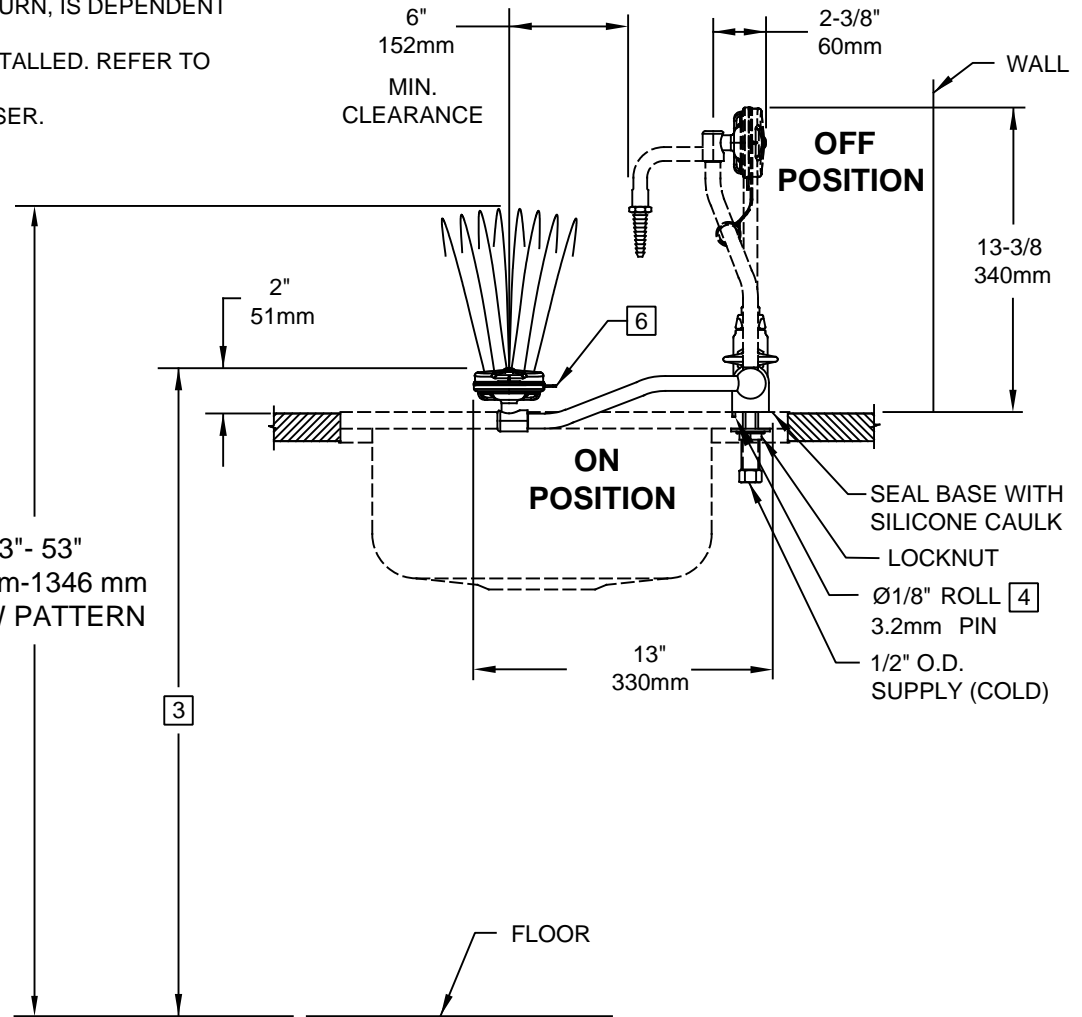
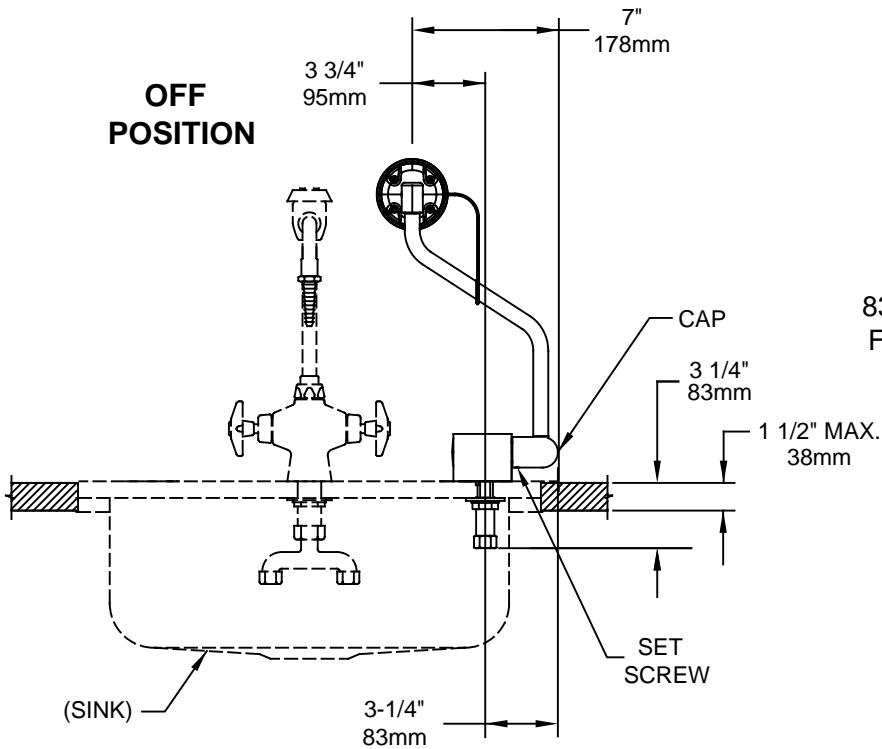
VRK7650 REPAIR KIT INCLUDES:

- O-RING (SMALL) QTY. 3
- 7650 RETAINER SEAT QTY. 1
- O-RING (LARGE) QTY. 1


		1455 KLEPPE LANE SPARKS, NEVADA 89431 (775) 359-4712 FAX (775) 359-7424 E-MAIL: HAWS@HAWS.CO.COM WEBSITE: WWW.HAWS.CO.COM	
		ECN NO. 5313 DRAWN JP APPROVED MJ	REVISED PER ECN: 5313 DATE 05/21/18 DATE 08/08/18
WHEN ORDERING PARTS PLEASE SPECIFY MODEL NUMBER.			PART NUMBER 0580000836 REVISION 1
SCALE: 1:1		DRAWING TYPE: PARTS BREAKDOWN	
SIZE: A		SHEET 1 OF 1	

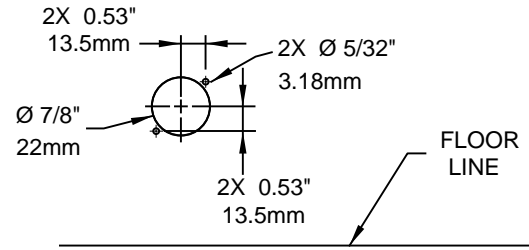
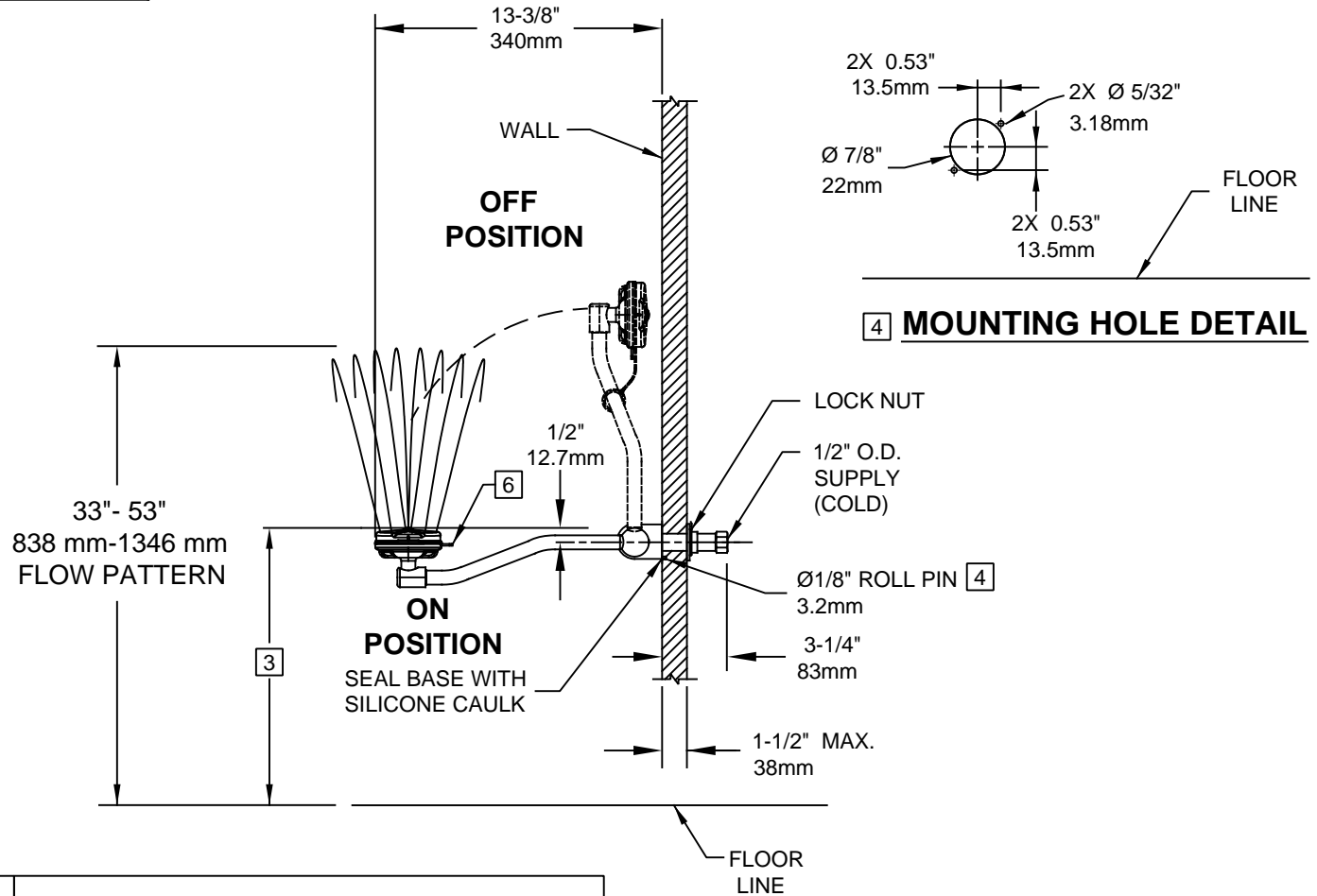
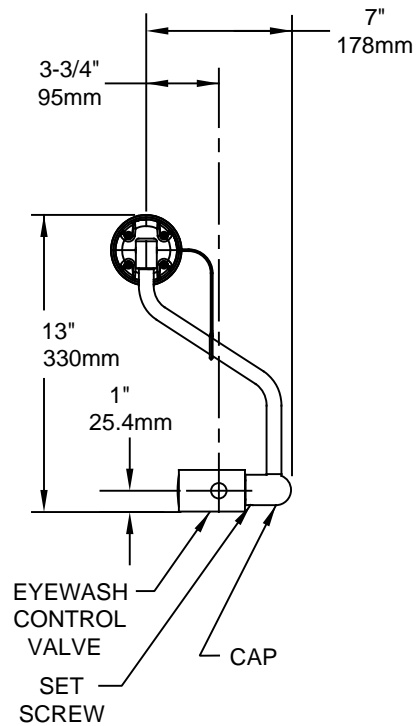
NOTES:

1. WHEN INSTALLING THIS UNIT, LOCAL , STATE, OR FEDERAL CODES SHOULD BE ADHERED TO FOR INSTALLATION DIMENSIONS (LOCATIONS), WASTE AND SUPPLY REQUIREMENTS OTHER THAN SHOWN.
2. TO COMPLY WITH ANSI Z358.1-2014 FOR EMERGENCY EYEWASH OR EYE/FACE WASH:
EYEWASH OR EYE/FACE WASH SHALL BE POSITIONED SUCH THAT FLUSHING FLUID PATTERN IS NOT LESS THAN 33" (838mm), NO GREATER THAN 53" (1346mm) FROM SURFACE ON WHICH USER STANDS, AND 6.0" (153mm) MINIMUM FROM WALL OR NEAREST OBSTRUCTION.
- 3 HEIGHT IS DETERMINED BY WATER FLOW PATTERN HEIGHT SHOWN, WHICH IN TURN, IS DEPENDENT ON IN-LINE SUPPLY PRESSURE.
- 4 DRILL ONE Ø7/8" [22mm] HOLE AND TWO Ø5/32" HOLES WHERE UNIT IS TO BE INSTALLED. REFER TO MOUNTING HOLE DETAIL ON SHEET 2 OF 3 OR 3 OF 3.
- 5 ASSEMBLE EYE/FACE WASH TO ARM; ORIENT TAB ON ASSEMBLY AWAY FROM USER.
6. DIMENSIONS MAY VARY BY ±1/2" (13 mm).



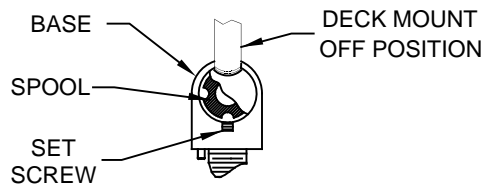
7610S DECK MOUNTED CONFIGURATION
(SEE SHEET 3 FOR 7610S DECK MOUNTED DETAIL)
(SEE SHEET 2 FOR 7610S WALL MOUNTED CONFIGURATION)

		Haws ®		1455 KLEPPE LANE	
				SPARKS, NEVADA 89431	
ECN NO. 5313 ECN: 5313		REVISION BY: JP		MODEL(S)	
DRAWN: JP		DATE: 05/21/18		CHKD.: FV	
APPROVED: MJ		DATE: 08/08/18		SCALE: 1:1	
				DRAWING TYPE: INSTALLATION	
				SIZE: A	
PART NUMBER: 0580000836.D				REVISION: 1	
SHEET 1 OF 3					



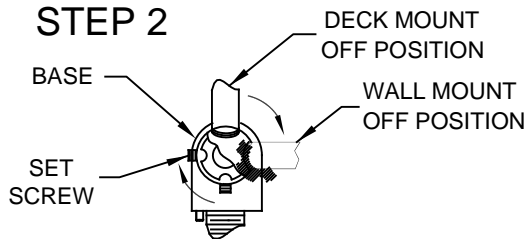
CONVERT TO WALL MOUNT CONFIGURATION

STEP 1



UNIT IS SHIPPED IN DECK MOUNT CONFIGURATION. TO CONVERT TO WALL MOUNT CONFIGURATION, POSITION ARM IN "DECK MOUNT OFF POSITION" AS ABOVE.

STEP 2



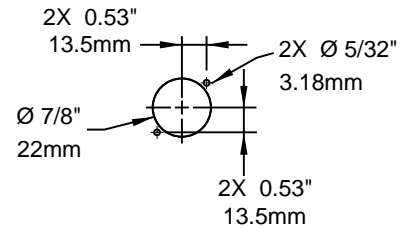
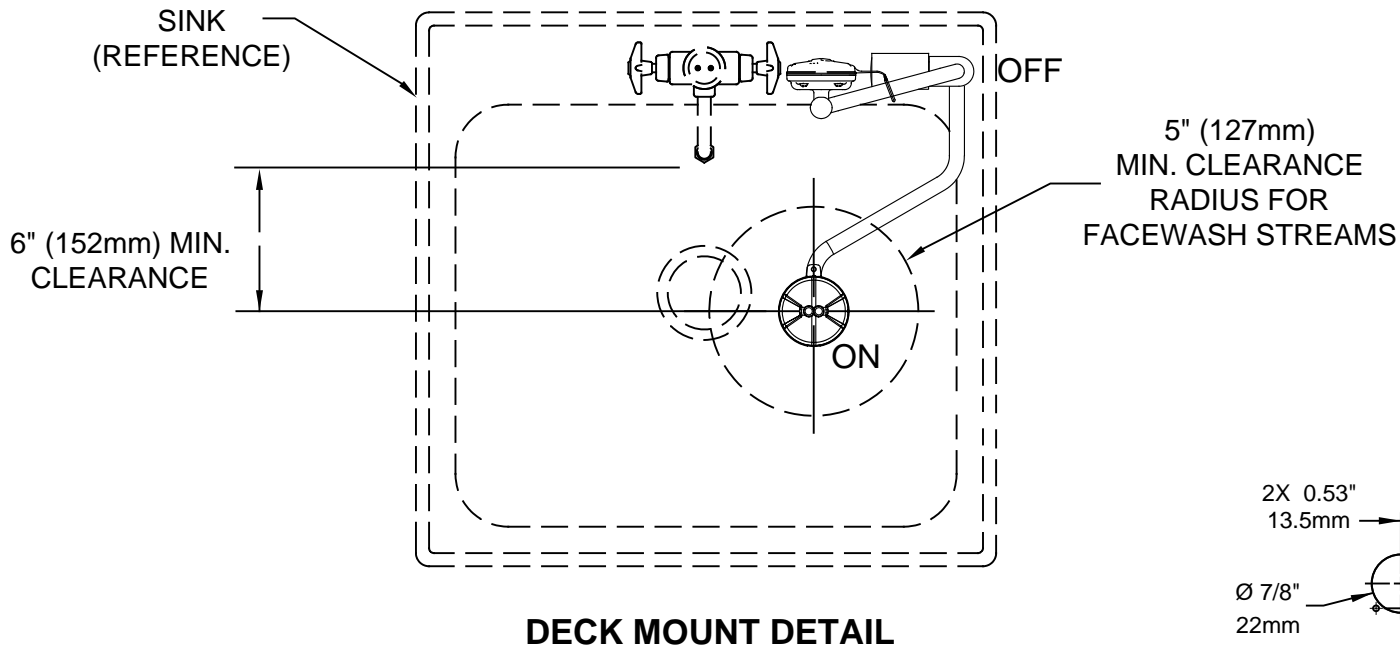
NOTE DEPTH OF SET SCREW PRIOR TO LOOSENING. LOOSEN SET SCREW AND ROTATE EYEWASH ARM 90° CLOCKWISE (AS SHOWN) WHILE MAKING SURE TO NOT ROTATE THE SPOOL. RE-TIGHTEN SET SCREW IN NEW POSITION. ENSURE SET SCREW IS PROPERLY SEATED IN INDENT. ENSURE SET SCREW IS TIGHT AND AT IT'S ORIGINAL DEPTH. ENSURE CORRECT ARM ORIENTATION BEFORE MOUNTING TO WALL. REFERENCE DRAWINGS AT RIGHT.

7610S WALL MOUNTED CONFIGURATION (SEE SHEET 1 FOR 7610S DECK MOUNTED CONFIGURATION) (SEE SHEET 3 FOR 7610S DECK MOUNTED DETAILS)



1455 KLEPPE LANE
SPARKS, NEVADA 89431
(775) 359-4712 FAX (775) 359-7424
E-MAIL: HAWS@HAWS.CO.COM
WEBSITE: WWW.HAWS.CO.COM

ECN NO. 5313	REVISED PER ECN: 5313	BY: JP	MODEL(S)	PART NUMBER
DRAWN: JP	DATE: 05/21/18	CHKD.: FV	7610S	0580000836.D
APPROVED: MJ	DATE: 08/08/18	SCALE: 1:1	PULLDOWN EYE/FACE WASH (SHORT)	REVISION 1
		DRAWING TYPE: INSTALLATION		SHEET 2 OF 3



4 MOUNTING HOLE DETAIL

7610S DECK MOUNTED CONFIGURATION
 (SEE SHEET 1 FOR 7610S DECK MOUNTED CONFIGURATION)
 (SEE SHEET 2 FOR 7610S WALL MOUNTED CONFIGURATION)

		1455 KLEPPE LANE SPARKS, NEVADA 89431 (775) 359-4712 FAX (775) 359-7424 E-MAIL: HAWS@HAWSO.COM WEBSITE: WWW.HAWSO.COM	
		ECN NO. 5313 ECN: 5313 REVISOR: JP DATE: 05/21/18 CHK'D.: FV	MODEL(S) 7610S PULLDOWN EYE/FACE WASH (SHORT)
APPROVED: MJ DATE: 08/08/18	SCALE: 1:1 DRAWING TYPE: INSTALLATION	SIZE: A SHEET 3 OF 3	