

# Hamden™ Technical Specification

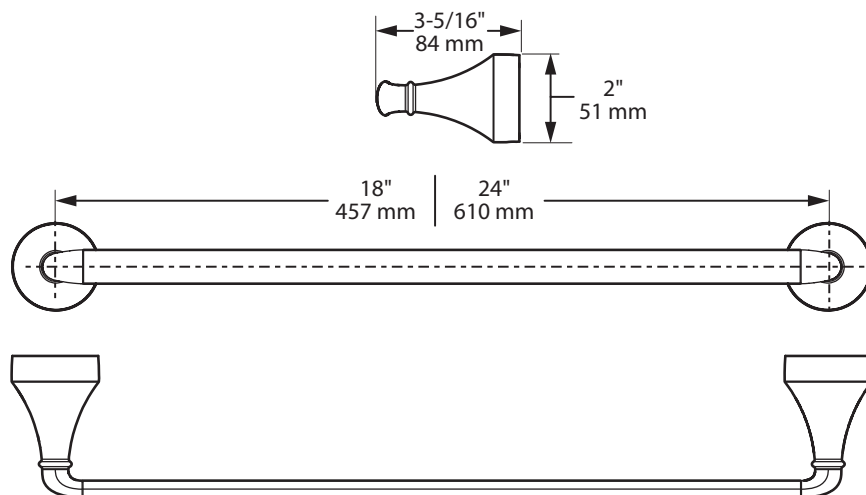
## 18" & 24" Towel Bar

## MY6218, MY6224

### Stock Numbers:

- **MY6218BN – Towel Bar**  
Brushed Nickel
- **MY6224BN – Towel Bar**  
Brushed Nickel

### Dimensions:



### Materials:

**Towel Bar Posts** are constructed of zinc.  
**Bar** is constructed of brass.

### Installation Instructions:

1. Position the mounting template on the wall in the desired location. Using a level, align the template and tape it to the wall.
2. Remove both mounting posts by loosening each set screw.
3. Place each mounting posts on the template. To ensure correct alignment, it is very important that the mounting post is installed straight.
4. One at a time, place each anchor screw through the mounting post, centered in each large hole. Using a Phillips screwdriver, turn the anchor screw while applying pressure. Screw will self-drill and tap into drywall. Only insert screw  $\frac{1}{2}$  to  $\frac{3}{4}$  of the way into the wall.
5. After all screws are installed, tear the template away from the wall.
6. Tighten all four screws. Do not over tighten.
7. Place the square back plate over each mounting post.
8. Assemble the towel bar and posts.
9. While assembled, position each end post with the set screw down and place over both mounting posts. Tighten the set screw at the bottom of each base.

### Cleaning Instructions:

To preserve the fine finish of this product, clean only with a soft damp cloth. Dry well. Do not use commercial or abrasive cleaners.

**Stock Number:** \_\_\_\_\_ **Towel Bar**  
**By Moen Incorporated**

# MOEN®

25300 AL MOEN DRIVE • NORTH OLMSTED, OH 44070  
CORPORATE HEADQUARTERS: (800) 321-8809 • FAX: (800) 848-6636  
INTERNATIONAL: (440 ) 962-2000 • FAX: (440) 962-2726  
CUSTOMER SERVICE (USA): 800-882-0116 • FAX: (888) 379-2720  
WWW.MOEN.COM

© 2019 Moen Incorporated. Moen is a registered trademark and Hamden™ is a trademark of Moen Incorporated. All rights reserved.