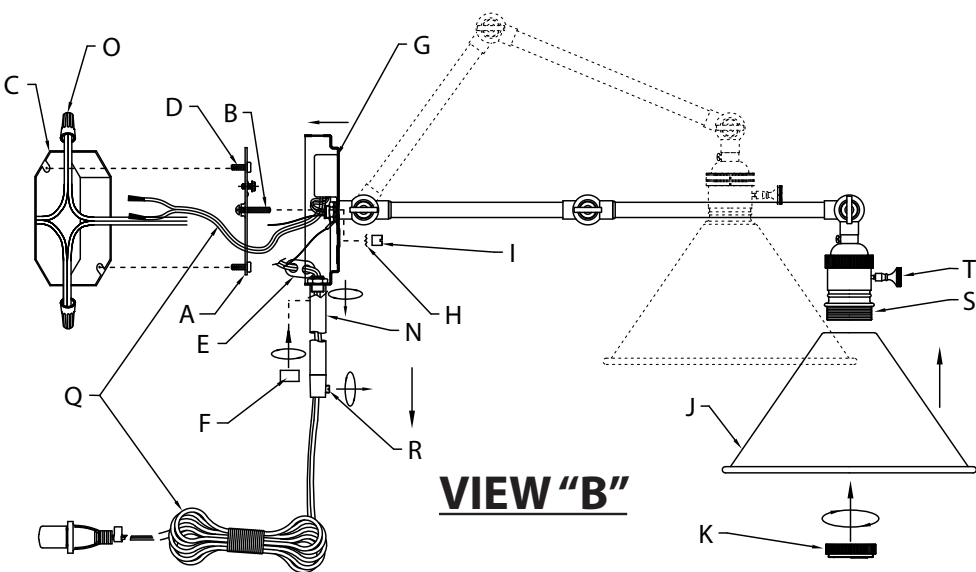
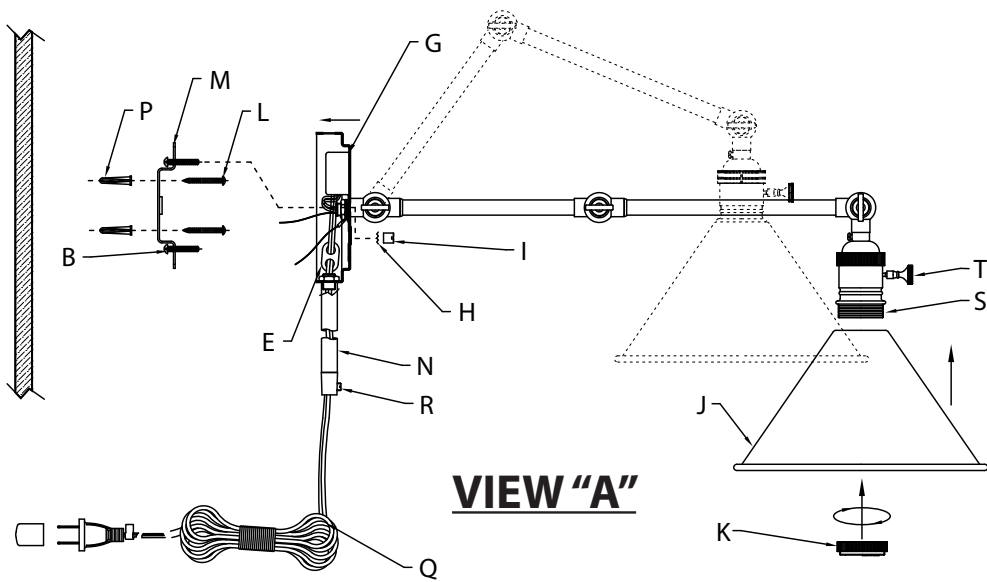


Fixture Diagram



Parts List

- |                             |                          |                             |
|-----------------------------|--------------------------|-----------------------------|
| [A] Mounting Strap          | [G] Fixture              | [N] Lower Tube              |
| [B] Fixture Mounting Screws | [H] Lockwashers          | [O] Wire Nuts               |
| [C] Outlet Box              | [I] Ball Knobs           | [P] Plastic Drywall Sleeves |
| [D] Strap Mounting Screws   | [J] Shade                | [Q] Cord                    |
| [E] Strain Relief           | [K] Shade Retainer       | [R] Screw                   |
| [F] Finial                  | [L] Wall Mounting Screws | [S] Socket                  |
|                             | [M] Wall Mounting Plate  | [T] Switch                  |

Cautions

**CAUTION – RISK OF SHOCK –**  
Disconnect Power at the main circuit breaker panel or main fusebox before starting and during the installation.

**WARNING:**  
This fixture is intended for installation in accordance with the National Electrical Code (NEC) and all local code specifications. If you are not familiar with code requirements, installation by a certified electrician is recommended.

Installation Instructions

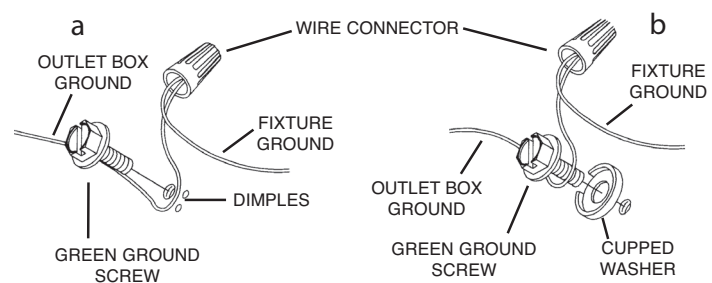
**To mount with cord and without electrical box - VIEW "A"**

- 1) Find a suitable location on the wall to mount your fixture. This location should be within 7 feet of an electrical outlet.
- 2) Using wall mounting plate [M] in a horizontal position, mark the two (2) hole locations for the wall mounting screws. Drill the .187 inch diameter holes and insert the two (2) plastic drywall sleeves [P].
- 3) Assemble fixture mounting screws [B] into the appropriate threaded holes of the wall mounting plate. Mount the wall mounting plate to the wall using the two (2) wall mounting screws [L].
- 4) Push fixture [G] to wall carefully over the fixture mounting screws protruding from the wall mounting plate. **NOTE:** Take care not to pinch the wires between the wall and the canopy of the fixture. Secure fixture into place using the two lockwashers [H] and two ball knobs [I].
- 5) Retrieve the shade [J] and the shade retainer [K]. Raise the shade into place over the socket [S], and secure shade into place with the shade retainer by threading shade retainer onto the socket.
- 6) Adjust the fixture arms by slightly loosening the wing nuts at each joint. **CAUTION:** Do not remove the wing nuts from the joints.
- 7) Insert recommended bulb (not supplied).
- 8) Plug cord [Q] into 120V electrical outlet.
- 9) Turn on the light by using the turn switch [T] on the socket above the shade.

**To mount without cord to electrical box - VIEW "B"**

- 1) Find the appropriate threaded holes on mounting strap [A]. Assemble fixture mounting screws [B] into threaded holes.
- 2) Attach mounting strap to outlet box [C] using the strap mounting screws [D]. The mounting strap can be adjusted to suit position of fixture.
- 3) Loosen the screw [R] in the lower tube [N]. In the canopy, pull approximately eight inches of the SPT wires (the cord) [Q] up into the canopy, then cut off the rest of the cord.
- 4) Slide the strain relief [E] off of the cord and remove the 6 inch tube [N] (by unscrewing it from the fixture). Remove the cut-off portion of cord.
- 5) Screw on the finial [F] in place of the tube [N].
- 6) Split the SPT wires 3 inches (76.2mm) and strip the ends of the wires .50 inch (12.7mm).
- 7) Grounding instructions: (See Illus. a or b).
  - a) On fixtures where mounting strap is provided with a hole and two raised dimples, wrap ground wire from outlet box around green ground screw, and thread into hole.
  - b) On fixtures where a cupped washer is provided, attach ground wire from outlet box under cupped washer and green ground screw, then thread into mounting strap.

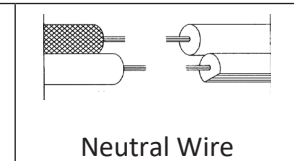
If fixture is provided with ground wire, connect fixture ground wire to outlet box ground wire with wire connector after following the above steps. Never connect ground wire to black or white power supply wires.



- 8) Make wire connections using wire nuts [O]. Reference chart below for correct connections and wire accordingly.

Connect Black or Red Supply Wire to:	Connect White Supply Wire to:
Black	White
*Parallel cord (round & smooth)	*Parallel cord (square & ridged)
Clear, Brown, Gold or Black without Tracer	Clear, Brown, Gold or Black with Tracer
Insulated wire (other than green) with copper conductor	Insulated wire (other than green) with silver conductor

\*Note: When parallel wire (SPT 1 & SPT 2) are used. The neutral wire is square shaped or ridged and the other wire will be round in shape or smooth (See illus.)



- 9) Push fixture [G] to wall carefully over the fixture mounting screws protruding from the mounting strap. **NOTE:** Take care not to pinch the wires between the wall and the canopy. Secure into place using the two lockwashers [H] and two ball knobs [I].
- 10) Retrieve the shade [J] and the shade retainer [K]. Raise the shade into place over the socket [S], and secure shade into place with the shade retainer by threading shade retainer onto the socket.
- 11) Adjust the fixture arms by slightly loosening the wing nuts at each joint. **CAUTION:** Do not remove the wing nuts from the joints.
- 12) Insert recommended bulb (not supplied).
- 13) Turn on the light by using the turn switch [T] on the socket above the shade.