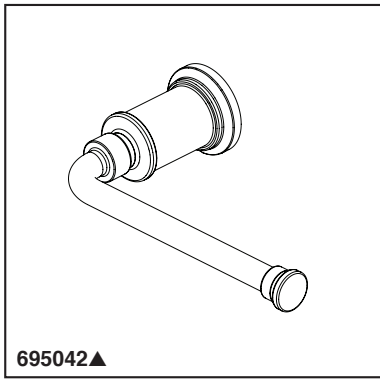


BRIZO®

ACCESSORIES

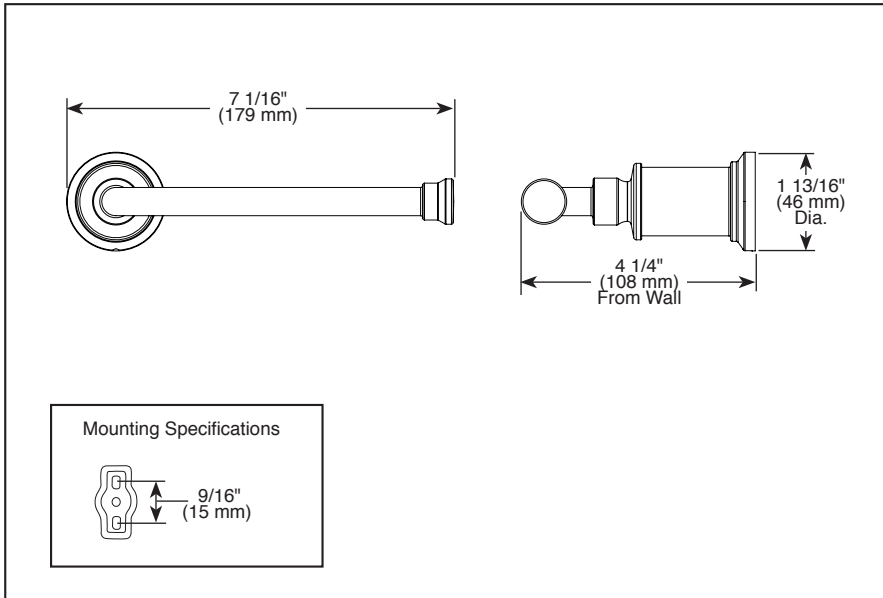
- Atavis™ Collection
- Tissue Holder



695042▲

Submitted Model No.: _____

Specific Features: _____

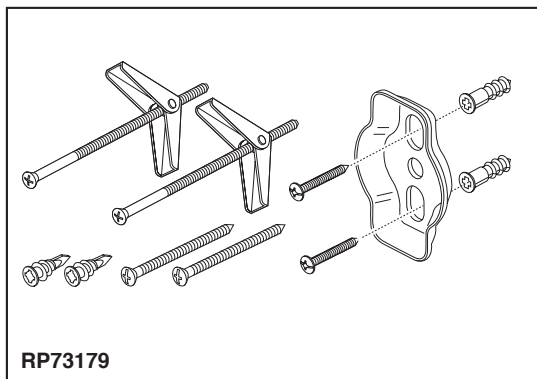


STANDARD SPECIFICATIONS:

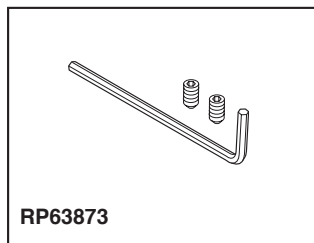
- Wood blocking is preferable behind all wall surfaces. If wood blocking is not available, try finding a wood stud to anchor this accessory.
- Mounting hardware and mounting instructions included with product.
- Note: Plastic anchors, screw, toggle bolts, and mounting brackets are included with the mounting hardware.

WARRANTY

- Lifetime limited warranty on parts (other than electronic parts and batteries) and finishes: or, for commercial users, for 5 years from date of purchase.
- 5 year limited warranty on electronic parts (other than batteries); or, for commercial users, for 1 year from the date of purchase. No warranty is provided on batteries.



RP73179



RP63873

▲ Designate proper finish suffix