

BRIZO®

BATHROOM FAUCET

- Atavis™ Collection
- Single Handle Deck Mount

STANDARD SPECIFICATIONS:

- Max. 1.2 gpm @ 60 psi, 4.5 L/min @ 414 kPa
- Single hole mount
- Solid brass body
- Control mechanism - 25 mm ceramic disc cartridge with metal stem
- Spout features hidden water-efficient, laminar flow aerator
- Must order drain separately

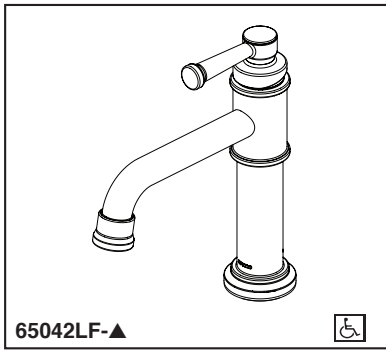
WARRANTY

- Lifetime limited warranty on parts (other than electronic parts and batteries) and finishes: or, for commercial users, for 5 years from date of purchase.
- 5 year limited warranty on electronic parts (other than batteries); or, for commercial users, for 1 year from the date of purchase. No warranty is provided on batteries.



COMPLIES WITH:

- ASME A112.18.1 / CSA B125.1
- ASME A112.18.2 / CSA B125.2
- Indicates compliance to ICC/ANSI A117.1
- EPA WaterSense®

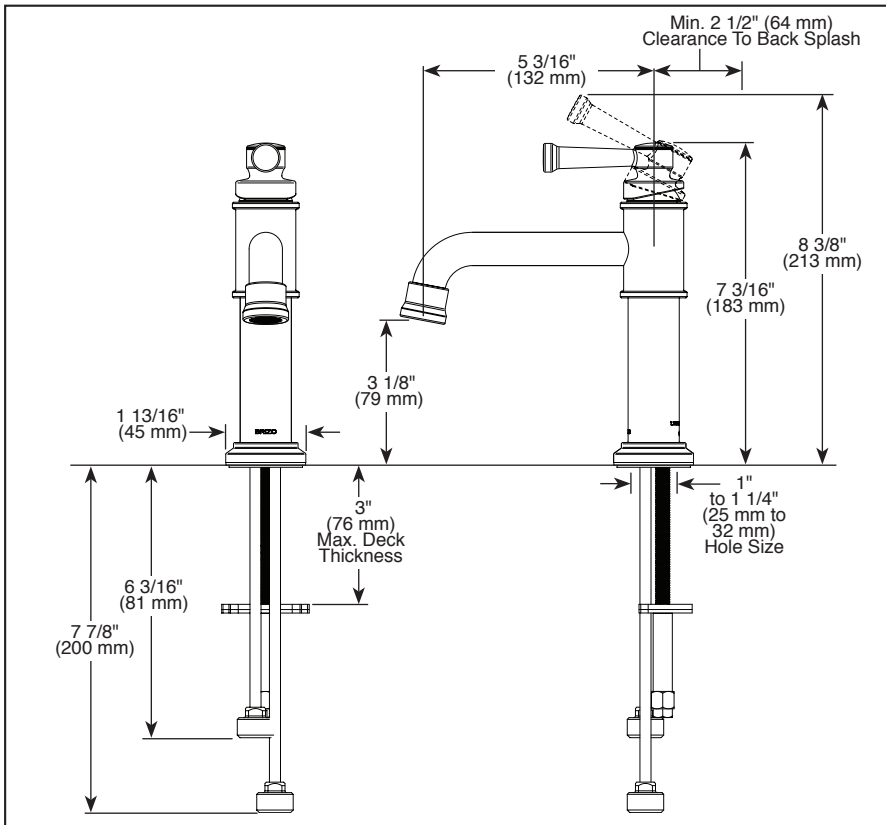


65042LF-▲



Submitted Model No.: _____

Specific Features: _____



<p>RP72411▲ Grid Strainer Drain less overflow holes</p>	<p>RP72413▲ Push Button Drain less overflow holes</p> <p>2 3/4" (70 mm) Dia.</p>	<p>RP81627▲ Push Button Drain less overflow holes</p> <p>1 5/8" (41 mm) Dia.</p>
<p>RP72412▲ Grid Strainer Drain with overflow holes</p>	<p>RP72414▲ Push Button Drain with overflow holes</p> <p>2 3/4" (70 mm) Dia.</p>	<p>RP81628▲ Push Button Drain with overflow holes</p> <p>1 5/8" (41 mm) Dia.</p>

▲ Designate Proper Finish Suffix

Brizo Kitchen & Bath Company reserves the right (1) to make changes in specifications and materials, and (2) to change or discontinue models, both without notice or obligation. Dimensions are for reference only. See current full-line price book or www.brizo.com for finish options and product availability.

BSP-L-65042LF Rev. A

Brizo Kitchen & Bath Company

55 E. 111th Street, Indianapolis, Indiana 46280
 350 South Edgeware Road, St. Thomas, ON N5P 4L1
 © 2018 Brizo Kitchen & Bath Company