



# Lochinvar®

HIGH EFFICIENCY BOILERS & WATER HEATERS

## GLASS LINED INDIRECT WATER HEATERS

Submittal Sheet

GIT-Sub-03

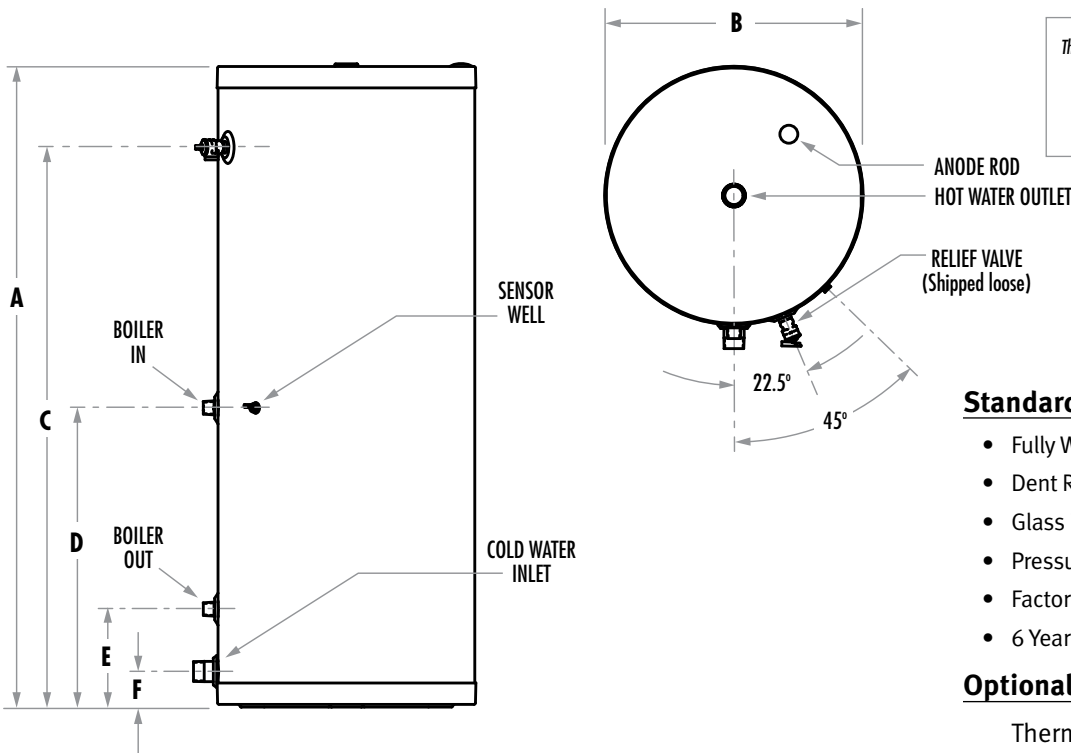
Job Name: \_\_\_\_\_ Model No.: \_\_\_\_\_

Location: \_\_\_\_\_ Gal. Capacity: \_\_\_\_\_

Engineer: \_\_\_\_\_ Equipment Tag(s): \_\_\_\_\_

Agent/Wholesaler: \_\_\_\_\_ Contractor: \_\_\_\_\_

**NOTES:**



**Standard Features**

- Fully Welded Construction
- Dent Resistant Jacket
- Glass lined tank and heating coil
- Pressure Relief Valve included
- Factory Supplied Tank Sensor
- 6 Year Limited Warranty

**Optional Equipment**

Thermostat

MODEL NUMBER	A	B	C	D	E	F	HYDRONIC COIL CONNECTION SIZE	DOMESTIC WATER CONNECTION SIZE INLET	DOMESTIC WATER CONNECTION SIZE OUTLET	SHIP. WGT. (LBS.)
GIT040	40"	23-2/3"	30"	21-2/3"	9-1/4"	3-3/4"	1"	1"	1-1/4"	165
GIT050	48"	23-2/3"	38-3/4"	27-1/3"	9-1/4"	3-3/4"	1"	1"	1-1/4"	200
GIT080	63-1/2"	23-2/3"	54-1/2"	32"	9-1/4"	2-3/4"	1"	1-1/2"	1-1/2"	250
GIT119	63-3/4"	29-1/2"	53-1/3"	33"	9-1/4"	3-1/2"	1"	1-1/2"	1-1/2"	320

MODEL NUMBER	POTABLE WATER VOLUME (GALLONS)	STANDBY LOSS (°F/HR)	FIRST DRAW (GALLONS)	CONTINUOUS DRAW (GPH)	1ST HOUR RATING (GPH)	COIL VOLUME (GALLONS)	HEAT SOURCE MIN. COIL LOAD (BTU/HR)	HEAT SOURCE MIN. FLOW (GPM)	FRICTION LOSS (FT. HD.)
GIT040	42.0	1.8	39	157	196	2.5	99,000	14.0	1.9
GIT050	44.0	1.8	42	202	244	3.4	125,000	14.0	2.3
GIT080	72.0	1.5	66	255	321	4.9	167,000	14.0	1.1
GIT119	109.0	0.6	103	253	356	4.7	164,000	14.0	1.1

NOTE: These ratings were obtained with a heat source output rate and heat source flow rate shown in the table above. Other results will be obtained under different conditions.



**Lochinvar®**  
HIGH EFFICIENCY BOILERS & WATER HEATERS

Lochinvar, LLC  
300 Maddox Simpson Parkway  
Lebanon, Tennessee 37090  
P: 615.889.8900 / F: 615.547.1000

Lochinvar.com

