

Submittal Data

PROJECT:	UNIT TAG:	QUANTITY:
REPRESENTATIVE: _____	TYPE OF SERVICE:	DATE: _____
ENGINEER:	SUBMITTED BY:	DATE:
CONTRACTOR:	APPROVED BY:	DATE:
	ORDER NO.:	DATE:



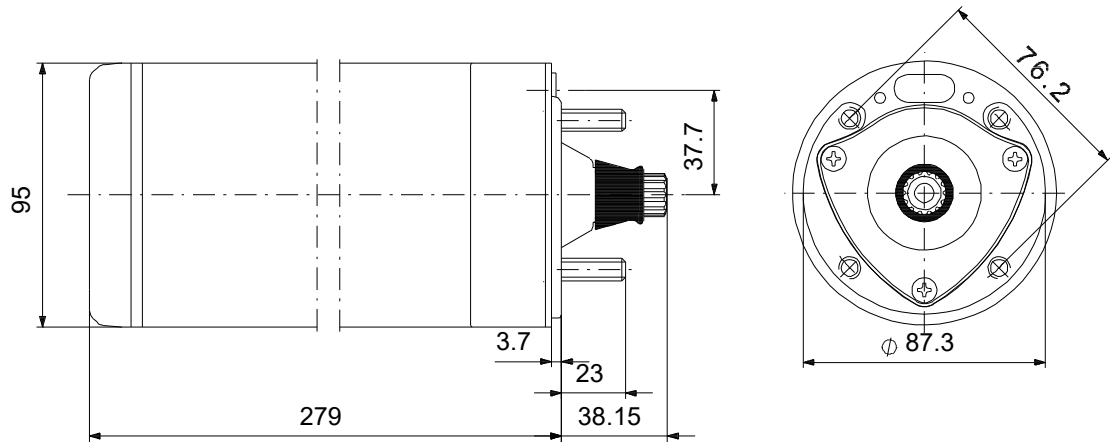
MS 402

Submersible motors

Note! Product picture may differ from actual product

Conditions of Service	Pump Data	Motor Data
	Approvals: CE,EAC,CSACOMP,UR Product number: 96465574	Rated power - P2: 0.37 kW Rated voltage: 115 V Mains frequency: 60 Hz Enclosure class: IP68 Insulation class: B Motor protection: CONTACT Thermal protection: INT. Motor type: MS402

Submittal Data



Materials:

- Motor: Stainless steel
- Motor: DIN W.-Nr. 1.4301
- Motor: AISI 304