



# Product Data

## Upflow/ Horizontal Left/Right, Downflow Single and 2-Stage Non-Condensing Gas Fired Furnace

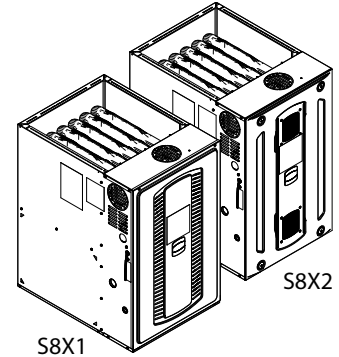
Upflow, Downflow, Horizontal Right/Left

### Single Stage

S8X1A026M2PSAA  
S8X1A040M3PSAA  
S8X1B040M2PSAA  
S8X1B060M3PSAA  
S8X1B060M4PSAA  
S8X1B080M4PSAA  
S8X1C080M5PSAA  
S8X1C100M5PSAA  
S8X1D120M5PSAA

### Two Stage

S8X2A040M3PSAA  
S8X2B060M3PSAA  
S8X2B060M4PSAA  
S8X2B080M4PSAA  
S8X2C080M5PSAA  
S8X2C100M5PSAA  
S8X2D120M5PSAA



**Note:** Models may have a "T" in the 12th digit designating they meet California less than 40 ng/J (NOx) emissions requirements.

**Note:** Graphics in this document are for representation only. Actual model may differ in appearance.



# Accessories

**Table 1. Accessories**

Model Number	Description	Use with
BAYHANG	Horizontal Hanging Kit	All Furnaces
BAYLIFTB	Dual Return Kit (B size extension)	B Cabinet Furnaces
BAYLIFTC	Dual Return Kit (C size extension)	C Cabinet Furnaces
BAYLIFTD	Dual Return Kit (D size extension)	D Cabinet Furnaces
BAYBASE205	Downflow Subbase	All Furnaces in Downflow orientation
BAYFLTR206	Filter Access Door Kit (Downflow only)	All Furnaces in Downflow orientation
BAYSF1165AA <sup>(a)</sup>	1" SlimFit Box with MERV 4 Filter	All Furnaces
BAYFLTR203	Horizontal Filter Kit	B Cabinet Furnaces in Downflow/Horizontal
BAYFLTR204	Horizontal Filter Kit	C Cabinet Furnaces in Downflow/Horizontal
BAYFLTR205	Horizontal Filter Kit	D Cabinet Furnaces in Downflow/Horizontal
BAYVENT600A	Internal venting kit	B, C, and D Furnaces in Downflow orientation
BAYVENT800B	Masonry Chimney Vent Kit	All furnaces
BAYSWT13AHALTA	High Altitude Pressure Switch Kit	S8X1A026M2PSAA
BAYSWT14AHALTA	High Altitude Pressure Switch Kit	S8X1A040M3PSAA, S8X1B040M2PSAA, S8X1C080M5PSAA, S8X1C100M5PSAA
BAYSWT15AHALTA	High Altitude Pressure Switch Kit	S8X1B060M3PSAA, S8X1B060M4PSAA, S8X1B080M4PSAA
BAYSWT16AHALTA	High Altitude Pressure Switch Kit	S8X2A040M3PSAA. S8X2C080M5PSAA
BAYSWT17AHALTA	High Altitude Pressure Switch Kit	S8X2B060M3PSAA, S8X2B060M4PSAA
BAYSWT18AHALTA	High Altitude Pressure Switch Kit	S8X2B080M4PSAA
BAYSWT19AHALTA	High Altitude Pressure Switch Kit	S8X2C100M5PSAA
BAYLPSS400B	Propane Conversion Kit with Stainless Steel Burners	All Furnaces except S8X1A026
BAYLPSS410A	Propane Conversion Kit with Stainless Steel Burners	S8X1A026 Furnace only
PIP02095	U fitting for gas piping	All Furnaces for right hand gas entry

<sup>(a)</sup> Airflow greater than 1600 CFM requires dual returns