



Stargaze® | K-1959-GHW

72" x 36" freestanding Heated BubbleMassage™ air bath with Bask® heated surface and fluted shroud

Features

- Bask® heated surface creates spa-like relaxation with soothing warmth on your back, shoulders, and neck
- Three heat settings allow you to customize the surface temperature
- 118 to 122 airjets release thousands of heated bubbles that surround and support the body in a warm massage
- Automatic and manual purge cycles remove residual water from air channels after use
- Variable-speed blower lets you adjust massage intensity to 18 levels
- Freestanding design creates a striking focal point in your bathing area
- 16" (406 mm) depth offers a deep soaking experience
- Integral lumbar support on both ends
- Textured bottom surface
- Wide ledge on one side is ideal for deck-mount faucet and/or handshower
- Fluted shroud
- Built-in 600W BubbleMassage™ heater warms humidified air before it enters the bath
- Automatic and manual purge cycles remove residual water from air channels after use
- Built-in 60W electric heater included to keep bath surface warm



Available Colors/Finishes

Color tiles intended for reference only.

- 0 White



Codes/Standards

ASME A112.19.7/CSA B45.10
 CSA B45.5/IAPMO Z124
 ASTM E162
 ASTM E662
 UL 1795
 CSA C22.2 No. 218.2
 cUL Listed
 UL Listed

Technical Information

All product dimensions are nominal.

Drain Location:	Center
Drain Hole Diameter:	2" (51 mm)
Basin Area, Bottom:	50-3/4" x 24-7/8" (1289 mm x 632 mm)
Basin Area, Top:	67-1/2" x 29-3/16" (1715 mm x 741 mm)
Water Depth:	15-11/16" (399 mm)
Water Capacity:	90 gal (340.7 L)
Minimum Floor Load:	48.8 lbs/ft ²
Weight:	165 lbs (74.8 kg)

Material

- Acrylic

Recommended Products/Accessories

K-23726 Drain treatment
 K-23732 Tub & shower cleaner
 K-7265 Brass toe tap bath drain

Required Products/Accessories

- K-T37392 Rotary-turn bath drain trim
 - K-T37391 Rotary-turn bath drain trim
- or
- K-78439 45" cable bath drain

Technology

- Auto-shutoff timer on blower allows users to enjoy Heated BubbleMassage™ experience for 60 minutes before turning off
- User interface: two separate electronic keypad controls for Heated BubbleMassage™ and Bask®

Required Electrical Service

Two dedicated circuits required, protected with Class A Ground-Fault Circuit-Interrupter (GFCI). Outside North America, this device may be known as a Residual Current Device (RCD).

Blower, Heated Surface:	120 V, 15 A, 60 Hz
Air bath:	120 V, 15 A, 60 Hz

Electrical Component Ratings

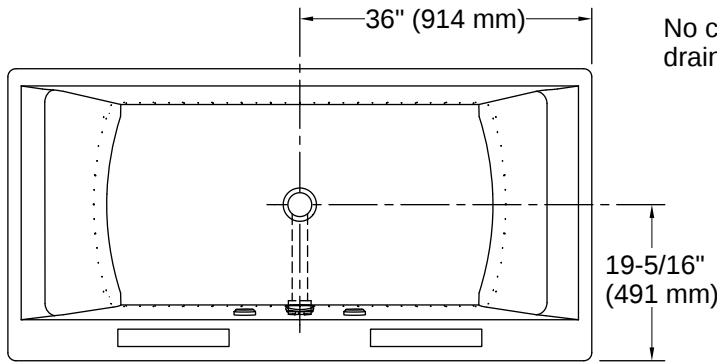
Blower:	120 V, 10 A
Heated Surface:	120 V, 0.5 A, 60 Hz
Air bath:	120 V, 5 A, 60 Hz

Warranty

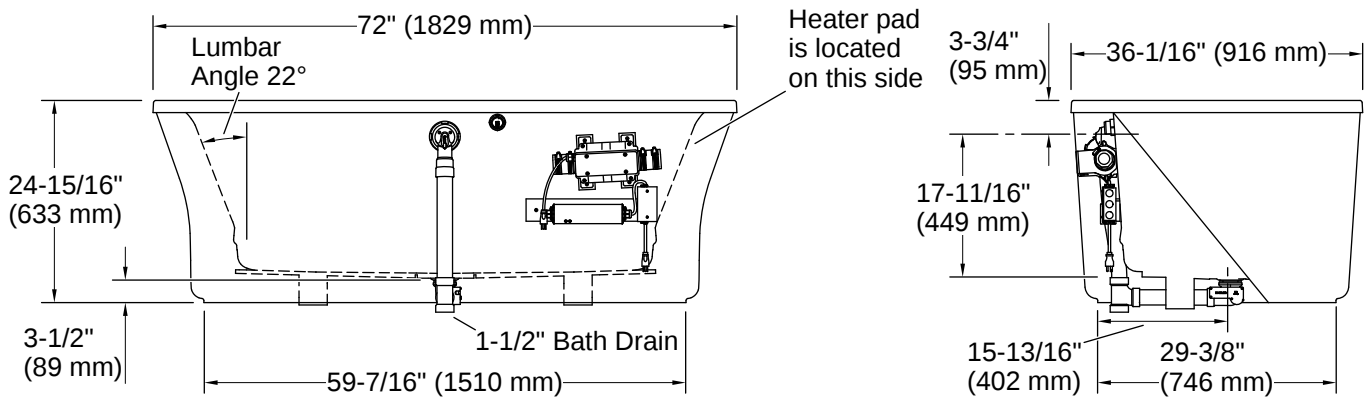
See website for detailed warranty information.

KOHLER® Plastic Baths and Shower Bases Lifetime Limited Warranty|KOHLER® Hydrotherapy Components Five-Year Limited Warranty





No change in measurements if connected with drain illustrated. (K-37391-CP)



Installation

- Center drain
- Freestanding
- PureFlo drains are not recommended for a deck-mount faucet installation
- Remote blower motor installation required (relocation kit is included)

Installation Notes

Install this product according to the installation instructions.

Measure your actual product for rough-in details.

The hot water supply should be 70% of the capacity of the bath or greater. Installations will vary.

This bath is designed for freestanding installation only.

If installing a rim-mount faucet, make sure there is no interference above or below the deck before drilling any holes.

