

SPECIFICATIONS

FIGURE 340NAF - 340NA - 350NA

THERMOPLASTIC VALVES

FULL PORT TRUE-UNION BALL VALVE



FIGURE 340NAF - PVC WITH 150# FLANGES

FIGURE 340NA - PVC WITH NPT AND SW ENDS*

FIGURE 350NA - CPVC WITH NPT AND SW ENDS*

* SW only on sizes over 2". NPT is available upon request.

FEATURES

- Full port design
- Pressure rating: 150 PSI @ 73°F
- Temperature range:
 - PVC: 41°F–122°F (5°C–50°C)
 - CPVC: 32°F–194°F (0°C–90°C)
- Certified to NSF/ANSI 14, 61 and 372
- EPDM or FPM (Viton®) seals
- O-ring energized seats
- Bidirectional flow*
- Adjustable seat tightness
- Easy disassembly with handle
- Easy replacement reduces downtime

* Note that the valve has a preferred flow direction indicated by the embossed arrow on the body. The preferred flow direction orients the carrier upstream so that downstream piping can be removed with the valve closed.

STANDARDS

Connections

- Figure 340NAF connections:
 - Flanged dimension: ASME B16.5, Class 150
- Figure 340NA connections:
 - Threaded dimension: ASTM F 1498 and ASME B 1.20.1
 - Socket dimension: ASTM D 2467
 - Optional threaded ends come with 1/2"–2" valves only
 - Optional threaded ends for 2-1/2"–4" valves must be ordered separately
- Figure 350NA connections:
 - Threaded dimension: ASTM F 1498 and ASME B 1.20.1
 - Socket dimension: ASTM F 439
 - Optional threaded ends come with 1/2"–2" valves only
 - Optional threaded ends for 2-1/2"–4" valves must be ordered separately

Materials

- PVC: Cell classification 12454 per ASTM D 1784 (formerly Type I, Grade 1)
- CPVC: Cell classification 23447 per ASTM D 1784 (formerly Type IV, Grade 1)



FNW340NAF



FNW340NA



FNW350NA

SPECIFICATIONS

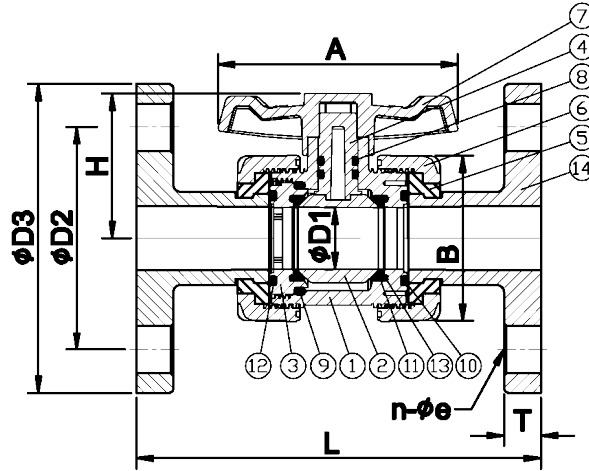
FIGURE 340NAF - 340NA - 350NA

THERMOPLASTIC VALVES

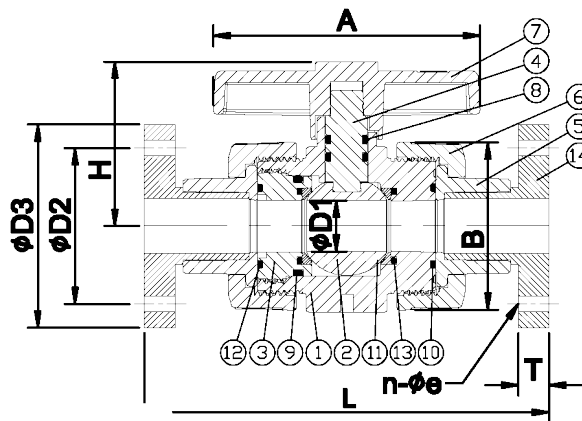
FULL PORT TRUE-UNION BALL VALVE



FNW340NAF
1/2"-3" Only



FNW340NAF
4" Only



DIMENSIONS (INCHES) FIGURE 340NAF

Size	D1	D2	D3	E	N	L	A	T	H	B
1/2	0.551	2.38	3.5	0.625	4	5.118	2.835	0.59	1.811	1.89
3/4	0.787	2.75	3.88	0.625	4	5.748	3.346	0.59	2.087	2.323
1	0.984	3.12	4.25	0.625	4	6.653	3.858	0.63	2.283	2.638
1-1/4	1.26	3.5	4.62	0.625	4	7.401	4.016	0.63	2.717	3.071
1-1/2	1.575	3.88	5	0.625	4	8.228	4.528	0.63	2.992	3.661
2	1.969	4.75	6	7.5	4	9.055	5.551	0.787	3.622	4.449
2-1/2	2.48	5.5	7	7.5	4	10.394	7.086	0.787	4.527	5.59
3	3.031	6	7.5	7.5	4	11.838	8.189	0.88	5.315	6.614
4	4.01	7.5	9.06	7.5	8	15.2	10.97	0.88	6.77	8.9

SPECIFICATIONS

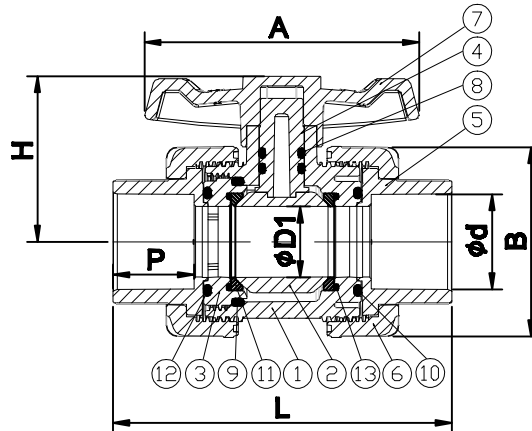
FIGURE 340NAF - 340NA - 350NA

THERMOPLASTIC VALVES

FULL PORT TRUE-UNION BALL VALVE

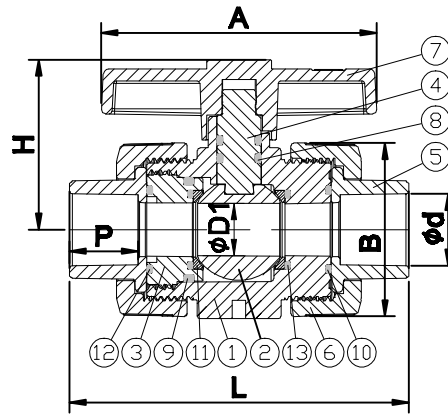


FNW340NA/350NA
1/2"–3"



* 1/2"–2" with threaded/socket unions;
2-1/2" and 3" with socket unions only, NPT available upon request.

FNW340NA/350NA
Socket Weld 4" Only



* Socket unions only, NPT available upon request.

DIMENSIONS (INCHES) FIGURE 340NA AND 350NA

Size	D1	d		P	L	A	H	B
		Socket	Thread					
1/2	0.551	0.848	14	0.875	3.76	2.835	1.811	1.89
3/4	0.787	1.058	14	1	4.16	3.346	2.087	2.323
1	0.984	1.325	11.5	1.125	4.72	3.858	2.283	2.638
1-1/4	1.26	1.67	11.5	1.25	5.31	4.016	2.717	3.071
1-1/2	1.575	1.912	11.5	1.375	5.96	4.528	2.992	3.661
2	1.969	2.387	11.5	1.5	6.81	5.551	3.662	4.449
2-1/2	2.48	2.889	8	1.75	8.27	7.086	4.527	5.59
3	3.031	3.516	8	1.875	9.61	8.189	5.315	6.614
4	4.01	4.518	8	2.25	12.91	10.97	6.77	8.9

SPECIFICATIONS

FIGURE 340NAF - 340NA - 350NA

THERMOPLASTIC VALVES

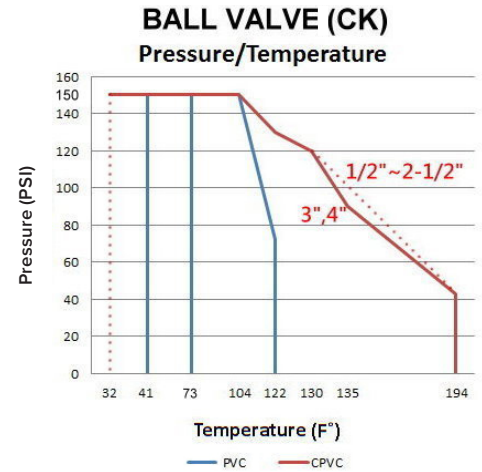
FULL PORT TRUE-UNION BALL VALVE



STANDARD MATERIALS

Ref #	Parts	Materials				Qty
		340NA & 340NAF		350NA		
		EPDM	Viton®	EPDM	Viton®	
1	Body	PVC		CPVC		1
2	Ball	PVC		CPVC		1
3	Seat Carrier	PVC		CPVC		1
4	Stem	PVC		CPVC		1
5	End Connector (Buckle 1/2"-2" for 340NAF only)	PVC		CPVC		2
6	Union Nut	PVC		CPVC		2
7	Handle	ABS				1
8	Stem O-Ring	EPDM	FPM (Viton®)	EPDM	FPM (Viton®)	2
9	Seat Carrier O-Ring	EPDM	FPM (Viton®)	EPDM	FPM (Viton®)	1
10	End's O-Ring	EPDM	FPM (Viton®)	EPDM	FPM (Viton®)	1
11	Seat	Teflon				2
12	Solid End O-Ring	EPDM	FPM (Viton®)	EPDM	FPM (Viton®)	1
13	Body O-Ring	EPDM	FPM (Viton®)	EPDM	FPM (Viton®)	2
14	Flange (340NAF only)	PVC				2

PRESSURE/TEMPERATURE



TORQUE CV & WEIGHTS

Size	Torque (in-lbs)	Cv	Weight (lbs)
1/2	9	12.5	0.37
3/4	18	28	0.57
1	18	50.9	0.86
1-1/4	18	81	1.21
1-1/2	27	150	1.83
2	45	230	3.09
2-1/2	54	360	4.07
3	71	485	7.61
4	350	768	17.73

REPLACEMENT PART CODES

FNW 340NA/350NA			
BODY TYPE	PART	SIZE (IN.)	
340NA	Threaded = EC	1/2 = D	2 = K
	Socket Weld = ECSW	3/4 = F	2-1/2 = L
	O-Ring* = TUBVOR	1 = G	3 = M
	*O-Ring is good for FNW340NA, FNW340NAF and FNW350NA	1-1/4 = H	4 = P
		1-1/2 = J	
350NA	Threaded End Cap = EC	1/2 = D	2 = K
	Socket Weld End Cap = ECSW	3/4 = F	2-1/2 = L
		1 = G	3 = M
		1-1/4 = H	4 = P
		1-1/2 = J	



FIGURE NUMBER MATRIX

FNW 340NA/340NAF/350NA			
BODY TYPE	SEALS	SIZE CODES (IN.)	
PVC w/ flanged ends = 340NAF	EPDM = E	1/2 = D	2 = K
PVC w/ NPT & SW ends to 2" (SW only over 2", NPT upon request) = 340NA	FPM (Viton®) = V	3/4 = F	2-1/2 = L
CPVC w/ NPT & SW ends to 2" (SW only over 2", NPT upon request) = 350NA		1 = G	3 = M
		1-1/4 = H	4 = P
		1-1/2 = J	