

SPECIFICATIONS

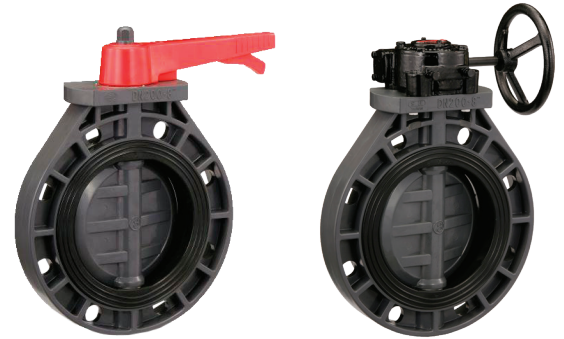
FIGURE 721A THERMOPLASTIC VALVES



WAFER-STYLE BUTTERFLY VALVE

FEATURES

- Compact design
- Pressure rating:
 - 150 psi @ 73°F (2" to 10")
 - 100 psi @ 73°F (12")
- Temperature range: 41°F–122°F (5°C–50°C)
- EPDM or FPM (Viton®) seat/seals
- Wafer style with guide holes drill to 125/150# flanges
- Bubble tight shutoff
- Ideally suited for limited piping spaces
- Lever operated
 - 2" to 4" - 6 position latch
 - 6" to 8" - 7 position latch
- Gear operated (8"–12")
- Not suitable for automation



Lever Operated

Gear Operated

CV & WEIGHTS

Size	CV	Weight (lbs.)
2"	100	2.98
2-1/2"	265	3.68
3"	390	4.23
4"	500	6
5"	660	9.55
6"	1160	11.27
8"	1995	16.58
Gear Operated		
8"	1995	30.47
10"	3570	39.76
12"	5048	84.47

Size	D1	D2	D3	øe	n	L	L1	D4	H1	H2	H3	I	K	D5
2"	2.16	4.84	6.46	0.75	4	1.42	1.61	4.13	3.23	4.21	2.48	9.92	7.95	3.66
2-1/2"	2.74	5.37	7.28	0.75	4	1.57	1.83	5.05	3.62	4.57	2.48	10.67	7.95	3.76
3"	3.07	5.97	7.72	0.75	4	1.58	1.77	5	3.86	4.84	2.48	11.18	7.95	3.76
4"	3.94	7.16	8.85	0.75	8	1.89	2	5.27	4.43	5.49	2.68	12.6	9.96	3.94
5"	5.04	8.36	10	0.91	8	2.11	2.32	6.67	5	6.3	3.35	14.65	11.69	3.97
6"	5.98	9.44	11.26	0.91	8	2.01	2.24	6.69	5.63	7	3.39	16.02	11.69	3.98
8"	7.87	11.75	13.54	1.02	8	2.4	2.68	7.52	6.77	8.35	3.39	18.5	11.69	4.31
Gear Operated														
8"	7.87	11.75	13.54	1.02	8	2.4	2.68	7.09	6.77	8.35	2.91	18.03	7.6	5.53
10"	9.84	14.25	16.18	1	12	4.016	4.252	7.09	8.09	9.45	2.91	20.45	7.6	5.53
12"	12.2	17	19.45	1	12	4.724	4.961	12.01	9.72	11.89	4.05	25.66	8.47	8.74

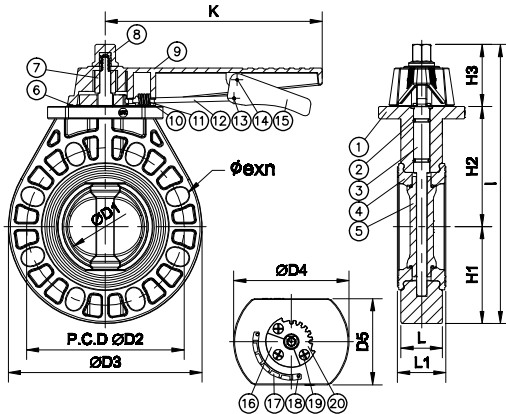
SPECIFICATIONS

FIGURE 721A
THERMOPLASTIC VALVES

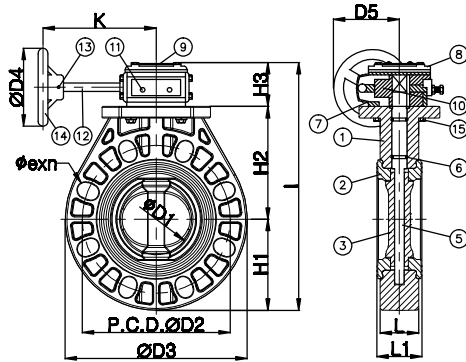


WAFER-STYLE BUTTERFLY VALVE

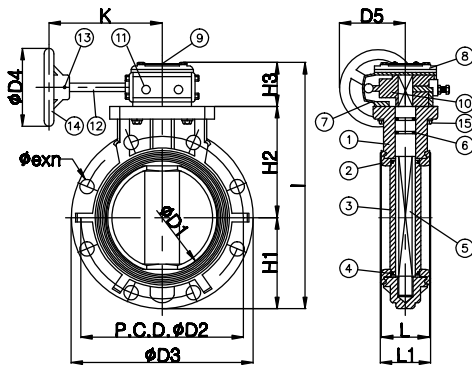
**2"-8"
Lever
Operated
Only**



**8" Gear
Operated
Only**



**10"-12"
Gear
Operated
Only**



PART MATERIALS & QUANTITY
Lever Operator Only

Ref #	Parts	Materials		Pcs
		EPDM Seat	Viton® Seat	
1	Body	PVC		1
2	Stem O-Ring	EPDM	FKM (Viton®)	2
3	Stem	SUS410		1
4	Seat	EPDM	FKM (Viton®)	1
5	Disc	PVC		1
6	Bolt	Brass		3
7	Handle Insert	FC-0208		1
8	Stem Bolt	Brass-Coated PVC		1
9	Handle	ABS		1
10	Handle Cap	ABS		1
11	Spring	SUS304		1
12	Lever	SUS304		1
13	Setpin (Short)	SUS304		1
14	Setpin (Long)	SUS304		1
15	Lever	ABS		1
16	Positioner	PVC		1
17	Indicator	SUS304		1
18	Bolt	SUS304		2
19	Bolt	SUS304		3
20	Teeth Plate	SUS304		1

Gear Operator Only

Ref #	Parts	Materials		Pcs
		EPDM Seat	Viton® Seat	
1	Body	PVC		1
2	Seat	EPDM	FKM (Viton®)	1
3	Disc	PVC		1
4	Disc O-Ring	EPDM	FKM (Viton®)	2
5	Stem	SUS410		1
6	Stem O-Ring	EPDM	FKM (Viton®)	2
7	Gear Box	FC200		1
8	Gear Box Cap	FC200		1
9	Indicator Plate	FCD450		1
10	Gear	FCD450		1
11	Adjustable Bolt	Steel		2
12	Gear Shaft	Carbon Steel		1
13	Set Pin	Steel		1
14	Hand Wheel	Cast Steel		1
15	Tightening Bolt	SUS304		4

SPECIFICATIONS

FIGURE 721A
THERMOPLASTIC VALVES



WAFER-STYLE BUTTERFLY VALVE

PRESSURE/TEMPERATURE

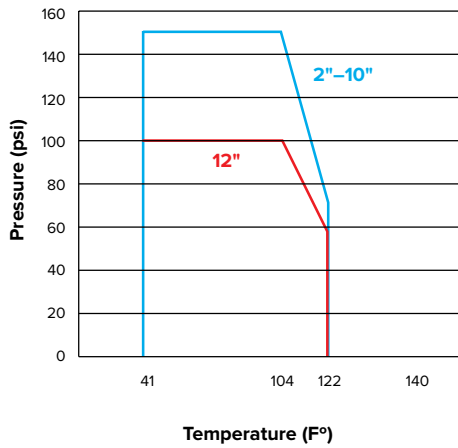


FIGURE NUMBER MATRIX

FNW	7	2	1A	E	G	X
				Seat/Seals	Operator	Size Codes
				E = EPDM	Blank = Lever (2"-8")	2 = K
				V = FPM (Viton®)	G = Gear (8"-12")	2-1/2 = L
						3 = M
						4 = P
						5 = S
						6 = U
						8 = X
						10 = 10
						12 = 12