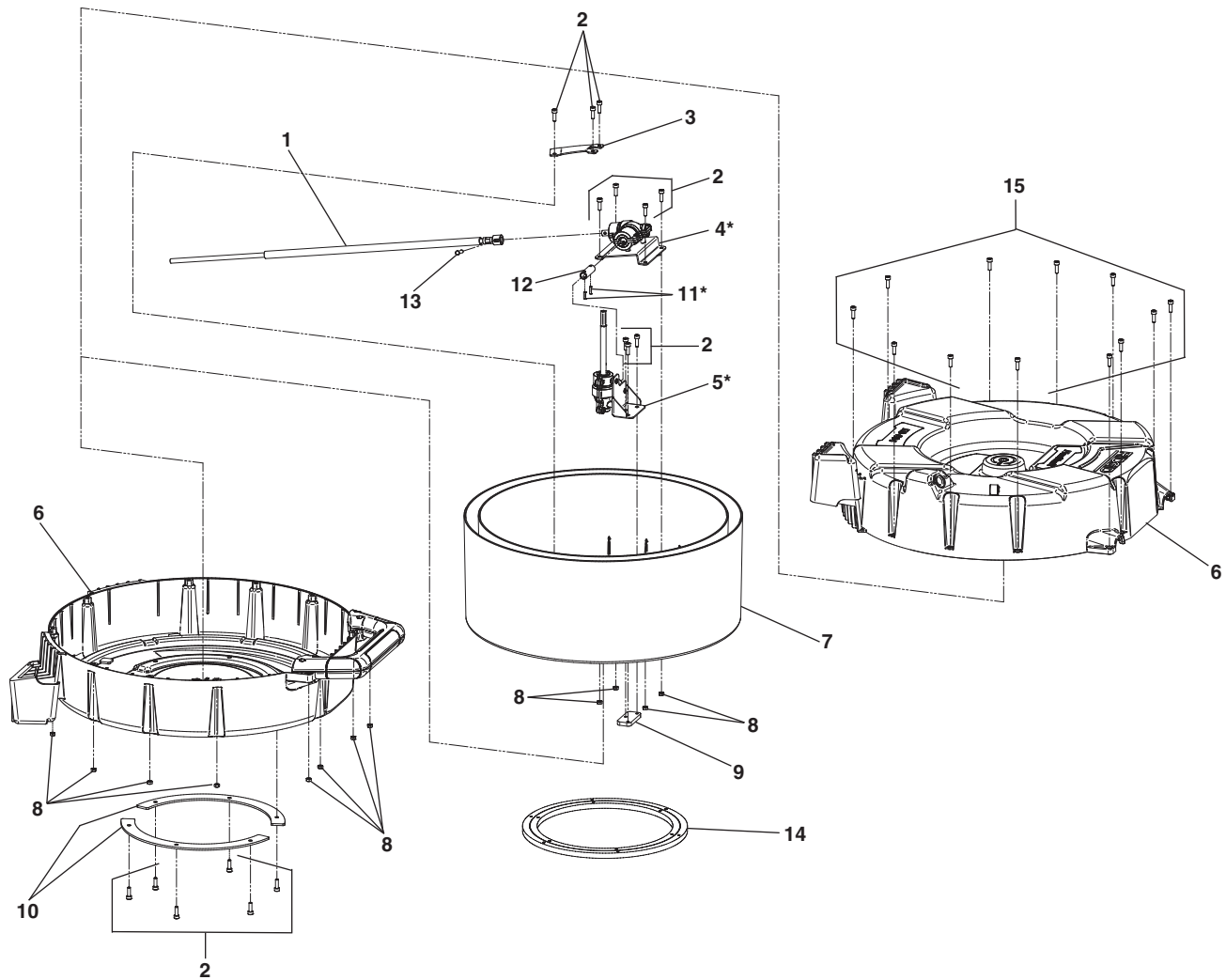


**FlexShaft**



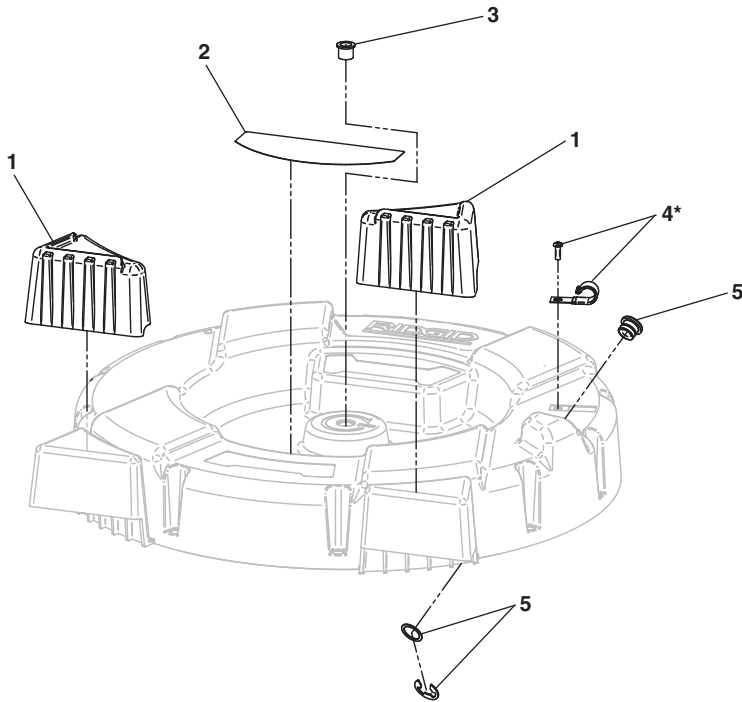
**NOTE: Order parts by Catalog Number only.  
DO NOT order by Reference Number.**

Ref. No.	Catalog No.	Description
1	64343	1/4" X 50' Cable (K9-102)
	64348	3/8" X 70' Cable (K9-204)
2	64493	Screw, M5 X 0.8 X 16MM LG (28)
3	64498	Cable Clamp Plate (K9-102)
	64503	Cable Clamp Plate (K9-204)
4*	64518	Gearbox
5*	64513	Input Gearbox (K9-102)
	64508	Input Gearbox (K9-204)
6	64528	Housing Assembly (K9-102) w/Handle & Feet
	64523	Housing Assembly (K9-204) w/Handle & Feet
7	64538	Drum Assembly W/Bearing (K9-102)
	64533	Drum Assembly W/Bearing (K9-204)
8	64543	Nut M5 X 0.8 (16)
9	64548	Clamp, Gearbox Bracket
10	64553	Drum Bearing Clamp (2)
11*	64558	Roll Pin (2) (Includes Gen 1 & Gen 2 Pins)
12	64563	Gearbox Coupling (K9-102) (Includes Gen 1 & Gen 2 Couplings W/Pins)
	64568	Gearbox Coupling (K9-204) (Includes Gen 1 & Gen 2 Couplings W/Pins)
13	64573	Ball Détente Pin
14	64708	Bearing
15	66128	Screw, M5 X 0.8 X 20MM LG (12)

\* Reference No's 4 & 5: When replacing a Gen 1 gearbox, both gearboxes will need to be replaced. Ref No's 11 & 12 also required

\* Reference No 11: Gen 1 pins were .125" in diameter. Gen 2 pins are .187" in diameter

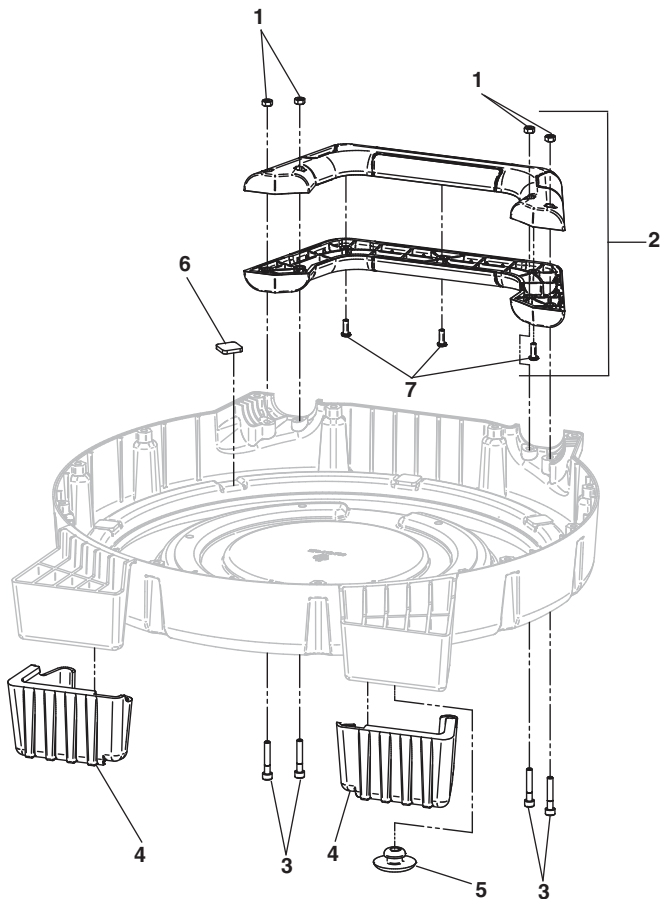
## FlexShaft™



**NOTE: Order parts by Catalog Number only.  
DO NOT order by Reference Number.**

Ref. No.	Catalog No.	Description
1	64578	Set Of 4 Feet (K9-102)
	64583	Set Of 4 Feet (K9-204)
2	64608	Warning Label
3	64598	Bushing
4*	64603	Retaining Clip W/Screw (Incl. Gen 1 & 2 Clips)
5	64588	Tube Insert (K9-102)
	64593	Tube Insert (K9-204)

\* Ref No. 4: Gen 1 clip fastened to cover with 1 screw  
Current clamp fastened with 2 screws.



**NOTE: Order parts by Catalog Number only.  
DO NOT order by Reference Number.**

Ref. No.	Catalog No.	Description
1	64543	Nut, M5 X 0.8 (4)
2	64613	Handle Assembly
3	64618	Screw, M5 X 0.8 30MM LG (4)
4	64578	Set Of 4 Feet (K9-102)
	64583	Set Of 4 Feet (K9-204)
5	40940	Grommet
6	64623	Drum Wear Pad (8)
7	64628	Screw, #8-16 X 1/2" (3)