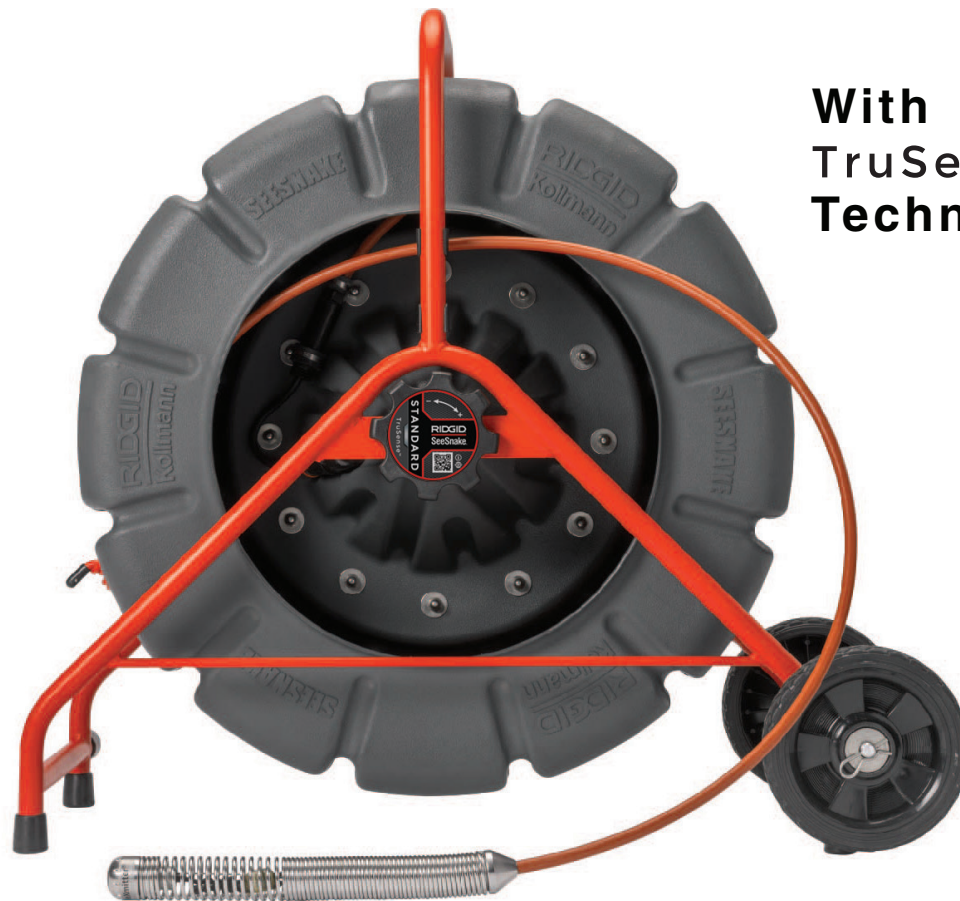


SeeSnake® STANDARD

With
TruSense™
Technology



! WARNING!

Read this Operator's Manual carefully before using this tool. Failure to understand and follow the contents of this manual may result in electrical shock, fire, and/or serious personal injury.

For support and additional information about using your SeeSnake Standard go to support.seesnake.com/standard or scan this QR code.



Table of Contents

Introduction

Regulatory Statements.....3

Safety Symbols3

General Safety Rules

Work Area Safety4

Electrical Safety4

Personal Safety4

Equipment Use and Care5

Pre-Operation Inspection.....5

SeeSnake Standard Overview

Description6

Specifications.....7

Standard Equipment7

System Components.....8

Specific Safety Information

SeeSnake Standard Safety.....8

Assembly

Installing the Wheels.....9

Operating Instructions

Placement9

Inspection Overview10

Pipe Guides10

Maintenance and Support

Cleaning.....10

Maintaining Components.....10

Storage10

Support11

Service and Repair11

Disposal11

Introduction

The warnings, cautions, and instructions discussed in this manual cannot cover all possible conditions and situations that may occur. It must be understood by the operator that common sense and caution are factors that cannot be built into this product, but must be supplied by the operator.

Regulatory Statements

CE The EC Declaration of Conformity (890-011-320.10) will accompany this manual as a separate booklet when required.

FC This device complies with Part 15 of FCC rules. Operation is subject to the following two conditions: (1) This device may not cause harmful interference, and (2) this device must accept any interference received, including interference that may cause undesired operation.

Safety Symbols

In this manual and on the product, safety symbols and signal words are used to communicate important safety information. This section is provided to improve understanding of these signal words and symbols.



This is the safety alert symbol. It is used to alert you to potential personal injury hazards. Obey all safety messages that follow this symbol to avoid possible injury or death.

⚠ DANGER

DANGER indicates a hazardous situation which, if not avoided, will result in death or serious injury.

⚠ WARNING

WARNING indicates a hazardous situation which, if not avoided, could result in death or serious injury.

⚠ CAUTION

CAUTION indicates a hazardous situation which, if not avoided, could result in minor or moderate injury.

NOTICE

NOTICE indicates information that relates to the protection of property.



This symbol means read the operator's manual carefully before using the equipment. The manual contains important information on the safe and proper operation of the equipment.



This symbol means always wear safety glasses with side shields or goggles when handling or using this equipment to reduce the risk of eye injury.



This symbol indicates the risk of electrical shock.

General Safety Rules

⚠ WARNING



Read all safety warnings and instructions. Failure to follow the warnings and instructions may result in electrical shock, fire, and/or serious injury.

SAVE THESE INSTRUCTIONS!

Work Area Safety

- **Keep your work area clean and well lit.** Cluttered or dark areas invite accidents.
- **Do not operate equipment in explosive atmospheres, such as in the presence of flammable liquids, gases, or dust.** Equipment can create sparks which may ignite the dust or fumes.
- **Keep children and bystanders away while operating equipment.** Distractions can cause you to lose control.

Electrical Safety

- **Avoid body contact with earthed or grounded surfaces such as pipes, radiators, ranges, and refrigerators.** There is an increased risk of electrical shock if your body is earthed or grounded.
- **Do not expose equipment to rain or wet conditions.** Water entering equipment will increase the risk of electrical shock.
- **Keep all electrical connections dry and off the ground.** Touching equipment or plugs with wet hands can increase the risk of electrical shock.
- **Do not abuse the cord.** Never use the cord for carrying, pulling, or unplugging the power tool. Keep cord away from heat, oil, sharp edges, and moving parts. Damaged or entangled cords increase the risk of electrical shock.
- **If operating equipment in a damp location is unavoidable, use a ground fault circuit interrupter (GFCI) protected supply.** Use of a GFCI reduces the risk of electrical shock.

Personal Safety

- **Stay alert, watch what you are doing, and use common sense when operating equipment.** Do not use equipment while you are tired or under the influence of drugs, alcohol, or medication. A moment of inattention while operating equipment may result in serious injury.
- **Dress properly.** Do not wear loose clothing or jewelry. Loose clothes, jewelry, and long hair can be caught in moving parts.
- **Practice good hygiene.** Use hot, soapy water to wash hands and other body parts exposed to drain contents after handling or using drain inspection equipment. To prevent contamination from toxic or infectious material, do not eat or smoke while operating or handling drain inspection equipment.
- **Always use appropriate personal protective equipment when handling and using equipment in drains.** Drains may contain chemicals, bacteria, and other substances that may be toxic, infectious, and cause burns or other issues. Appropriate personal protective equipment always includes safety glasses and may include a dust mask, hard hat, hearing protection, drain cleaning gloves or mitts, latex or rubber gloves, face shields, goggles, protective clothing, respirators, and steel toed, non-skid footwear.
- **If using drain cleaning equipment and drain inspection equipment at the same time, wear RIDGID drain cleaning gloves.** Never grasp the rotating drain cleaning cable with anything else, including other gloves or a rag which can become wrapped around the cable and cause hand injuries. Only wear latex or rubber gloves underneath RIDGID drain cleaner gloves. Do not use damaged drain cleaning gloves.

Equipment Use and Care

- **Do not force equipment.** Use the correct equipment for your application. The correct equipment does the job better and more safely.
- **Do not use equipment if the power switch does not turn it on and off.** Any equipment that cannot be controlled with the power switch is dangerous and must be repaired.
- **Disconnect the plug from the power source and/or the battery pack from the equipment before making adjustments, changing accessories, or storing.** Preventive safety measures reduce the risk of injury.
- **Store idle equipment out of the reach of children and do not allow persons unfamiliar with the equipment or these instructions to operate the equipment.** Equipment can be dangerous in the hands of untrained users.
- **Maintain equipment.** Check for misalignment or binding of moving parts, missing parts, breakage of parts, and any other condition that may affect the equipment's operation. If damaged, have the equipment repaired before use. Many accidents are caused by poorly maintained equipment.
- **Do not overreach.** Keep proper footing and balance at all times. This enables better control of the equipment in unexpected situations.
- **Use the equipment and accessories in accordance with these instructions, taking into account the working conditions and the work to be performed.** Use of the equipment for operations different from those intended can result in hazardous situations.
- **Use only accessories that are recommended by the manufacturer for your equipment.** Accessories that may be suitable for one piece of equipment may become hazardous when used with other equipment.
- **Keep handles dry, clean, and free from oil and grease.** Clean handles give better control of the equipment.

Pre-Operation Inspection

⚠ WARNING



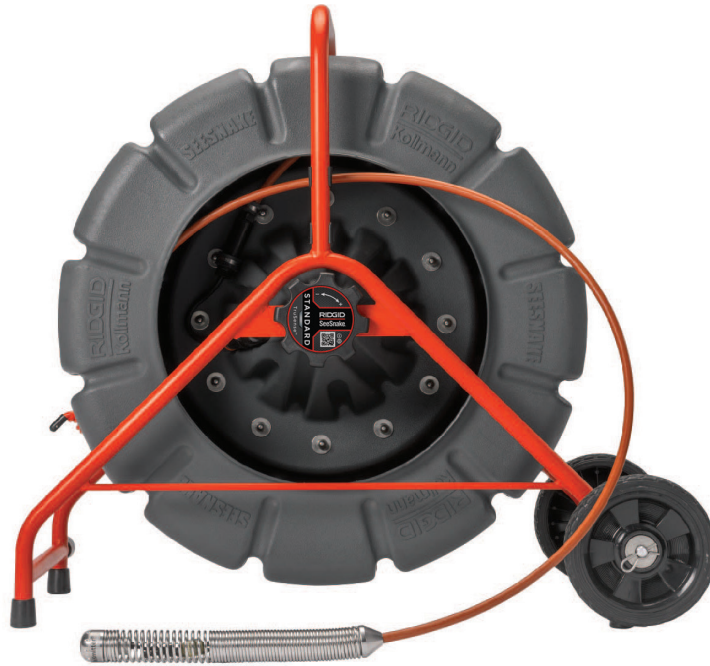
To reduce the risk of serious injury from electrical shock or other causes, and to prevent damage to your equipment, inspect all equipment and correct any problems before each use.

To inspect all equipment, follow these steps:

1. Power off your equipment.
2. Disconnect and inspect all cords, cables, and connectors for damage or modification.
3. Clean any dirt, oil, or other contamination from your equipment to ease inspection and to prevent it from slipping from your grip during transport or use.
4. Inspect your equipment for any broken, worn, missing, misaligned, or binding parts, or any other condition which might prevent safe, normal operation.
5. Refer to the instructions for all other equipment to inspect and make sure it is in good, usable condition.
6. Check your work area for the following:
 - Adequate lighting.
 - The presence of flammable liquids, vapors, or dust that may ignite. If present, do not work in area until sources have been identified and corrected. The equipment is not explosion proof. Electrical connections can cause sparks.
 - A clear, level, stable, and dry place for the operator. Do not use the equipment while standing in water.
7. Examine the job to be done and determine the correct equipment for the task.
8. Observe the work area and erect barriers as necessary to keep bystanders away.

See additional product specific safety information and warnings starting on page 8.

SeeSnake Standard Overview



Description

The RIDGID® SeeSnake® Standard with TruSense™ technology is a ruggedized camera reel in the SeeSnake family of premier diagnostic systems.

The Standard reel is ideal for inspecting 51 mm to 305 mm [2 in to 12 in] lines and comes with either a 61 m [200 ft] or a 99 m [325 ft] push cable. The push cable is reinforced with fiberglass and flexible enough to travel through sharp 90° bends, yet stiff enough to push the camera head long distances.

The FleXmitter® sonde helps locate points of interest in the pipe. FleXmitter sondes have long, powerful antennas capable of putting out a signal strong enough to pinpoint the camera's location underground, while still preserving its flexibility through turns.

The Standard works with any SeeSnake monitor to record and distribute inspections. Pair it with a SeeSnake CSx series Wi-Fi enabled monitor to deliver professional multimedia reports to your customers quickly and easily. Available SeeSnake CSx monitors include the CS6x, CS6xPak, CS65x, and CS12x monitors.

A self-leveling camera head option is available to keep the image upright.

TruSense™ Technology Description

TruSense technology establishes a two-way communication link between the camera head and a connected CSx series Wi-Fi enabled monitor. Advanced on-camera sensors convey valuable information about the in-pipe environment.

Included TruSense Sensors

TiltSense™

The TiltSense inclinometer measures the camera's degree of tilt and displays it on a CSx series Wi-Fi enabled monitor, giving you a useful indicator of the camera's angle as it lays inside the pipe.

HDR Image Sensor

The high dynamic range (HDR) image sensor expands the camera's dynamic range, allowing a greater ratio of bright and dark areas to be displayed in the same image at the same time without reducing visibility. The result is superior clarity and detail, allowing you to quickly and easily identify problem areas.

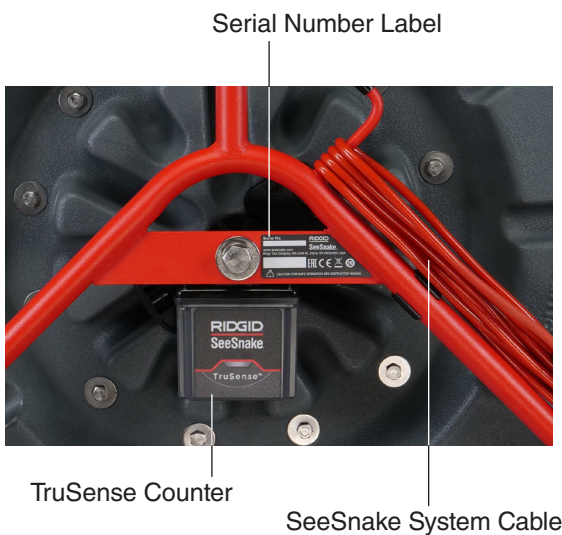
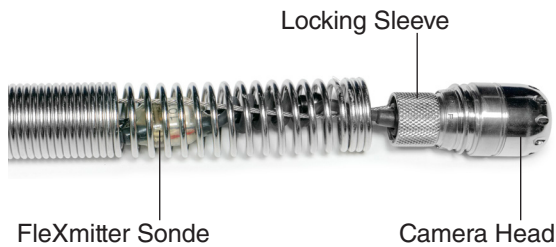
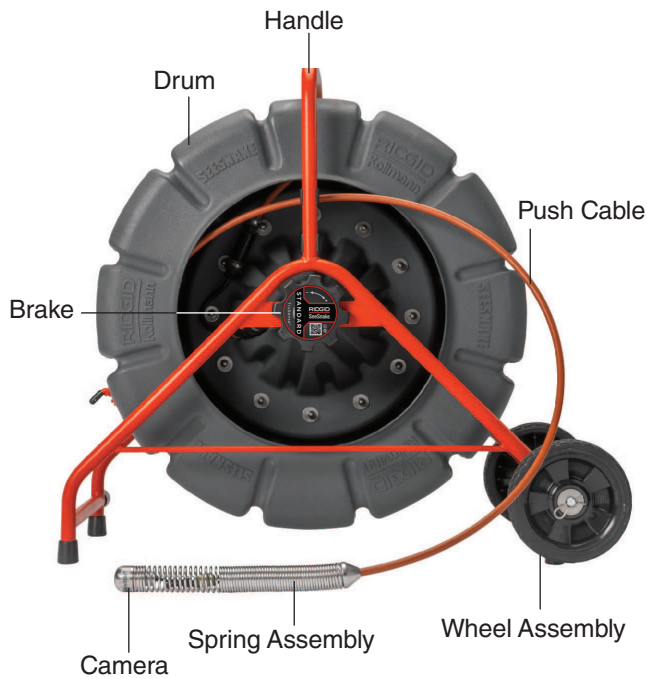
Specifications	
Weight	
61 m [200 ft] 99 m [325 ft]	19 kg [42 lb] 24.5 kg [54 lb]
Dimensions	
Length	830 mm [32.7 in]
Depth	450 mm [17.7 in]
Height	756 mm [29.8 in]
Drum diameter	664 mm [26.1 in]
TruSense Camera, Fixed	
Length	22 mm [0.8 in]* 33 mm [1.3 in]**
Diameter	35 mm [1.4 in]
TruSense Camera, Self-Leveling	
Length	26 mm [1 in]* 37 mm [1.5 in]**
Diameter	35 mm [1.4 in]
Resolution	640 × 480 pixels
Sonde	
Type	Flexmitter®
Frequency	512 Hz
Distance Measurement	
Type	TruSense Counter
Data Communication	Two-Way

Specifications	
Push Cable	
Length	61 m [200 ft] 99 m [325 ft]
Diameter	11.2 mm [0.44 in]
Fiberglass core diameter	4.5 mm [0.18 in]
Minimum bend radius	114 mm [4.5 in]
Pipe Capacity §	51 mm to 305 mm [2 in to 12 in]
System Cable Length	4 m [13 ft]
Operating Environment	
Temperature †	-10°C to 50°C [14°F to 122°F]
Storage temperature	-10°C to 70°C [14°F to 158°F]
Ingress protection (without monitor)	IP×5
Relative humidity	5 to 95 percent
Altitude	4,000 m [13,123 ft]
Camera depth rating	Waterproof to 100 m [328.1 ft]
* Measured from lens to spring.	
** Measured from lens to end of threads.	
§ Actual pipe capacity depends on pipe conditions.	
‡ While the camera can function in extreme temperatures, some image quality changes may occur.	

Standard Equipment

- SeeSnake Standard camera reel
- Operator's manual
- Wheel assembly
- Pipe guide kit
- Spanner wrench

System Components



Specific Safety Information

⚠ WARNING



This section contains important safety information that is specific to the SeeSnake Standard. Read these precautions carefully before using the equipment to reduce the risk of electrical shock, fire, and/or serious injury.

SAVE ALL WARNINGS AND INSTRUCTIONS FOR FUTURE REFERENCE!

SeeSnake Standard Safety

- **Read and understand this manual, the digital reporting monitor's manual, and the instructions for any other equipment you are using before operating the equipment.** Failure to follow all instructions may result in property damage and/or serious injury. Keep this manual with the equipment for future use.
- **Operating the equipment while in water increases the risk of electrical shock.** Do not operate the system if operator or equipment are standing in water.
- **The equipment is not designed to provide high voltage protection and isolation.** Do not use where a danger of high voltage contact is present.
- **To prevent damage to the equipment and to decrease the risk of injury, do not expose the equipment to mechanical shocks.** Exposure to mechanical shocks can damage equipment and increase the risk of serious injury.
- **Follow instructions for wheel assembly installation.** Improper installation may result in property damage and/or serious injury.
- **Always use appropriate personal protective equipment when handling and using equipment in drains.** Wear appropriate protective equipment such as latex or rubber gloves, goggles, face shields, and respirators when inspecting drains that might contain hazardous chemicals or bacteria. Always wear eye protection to protect against dirt and other foreign objects.

Assembly

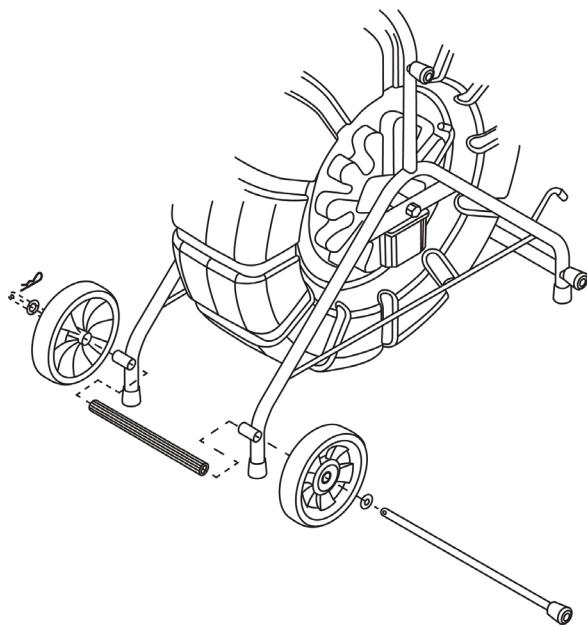
Installing the Wheels

⚠ WARNING

Installing the wheels incorrectly may result in property damage and/or serious injury.



1. Slide washer onto axle and seat against foot.
2. Slide wheel onto axle.
3. Place ribbed rigid tube between the two axle hubs. Frame may need to be flexed slightly.
4. Slide axle from outside right, through hub and rigid tube, and out the other hub.
5. Place second wheel on axle.
6. Place washer on axle and seat on wheel hub.
7. Secure with cotter pin at axle end.



Operating Instructions

Placement

Set up your SeeSnake system near the pipe entrance so you can manipulate the push cable while viewing the monitor. Make sure that the drum can spin freely. Placing the reel where the drum cannot spin freely may result in over-winding the cable, which may result in property damage and/or serious injury.



Lay the SeeSnake on its back for greater stability, particularly when on a rooftop, overhead entry, or hillside.



Inspection Overview

To perform a pipe inspection, connect any SeeSnake monitor to the reel, power on the system, push the push cable through the pipe, and observe the display.

For advanced inspection options, such as capturing media, locating the sonde, tracing the push cable, and delivering reports, refer to the manual that comes with your monitor.

Connecting to the Monitor

Connect the system cable to the monitor by aligning the connector guide pin with the socket and pushing the connector straight in.

NOTICE Only twist the outer locking sleeve. Never bend or twist the connector.



Retrieving the Camera

Pull the push cable back out of the pipe with slow, steady force and feed small lengths back into the drum. Wipe the push cable with a paper towel or rag as you retrieve it.

NOTICE Do not exert excessive force or pull at sharp angles. Feeding longer lengths or forcing the push cable may cause it to loop, kink, or break.

Pipe Guides

Pipe guides center the camera in the pipe, improve picture quality, and help keep the lens clear. Use pipe guides when possible to reduce wear and tear on the camera system.

Maintenance and Support

Cleaning

Clean your system with rags and a soft nylon brush. If desired, a mild detergent or disinfectant can be used. Do not use solvents or high pressure water to clean any part of the system.

Maintaining Components

Camera Head

Scratches on the camera have a minimal effect on its performance. Do not use scraping tools or sand the camera to remove scratches.

Push Cable

Run a rag over the push cable and visually inspect it for cuts and abrasions while pushing it back into the drum. Replace or repair the push cable if the outer jacket is cut or abraded.

Storage

The SeeSnake Standard must be stored in a dry, secure area between -10°C and 70°C [14°F and 158°F]. Store your equipment in a locked area out of the reach of children and people unfamiliar with its purpose.