



4675 W. 160th St.  
Cleveland, Ohio 44135  
Ph: (800) 321-9532  
Fax: (800) 321-9535  
www.dearbornbrass.com

SUBMITTAL SPECIFICATION

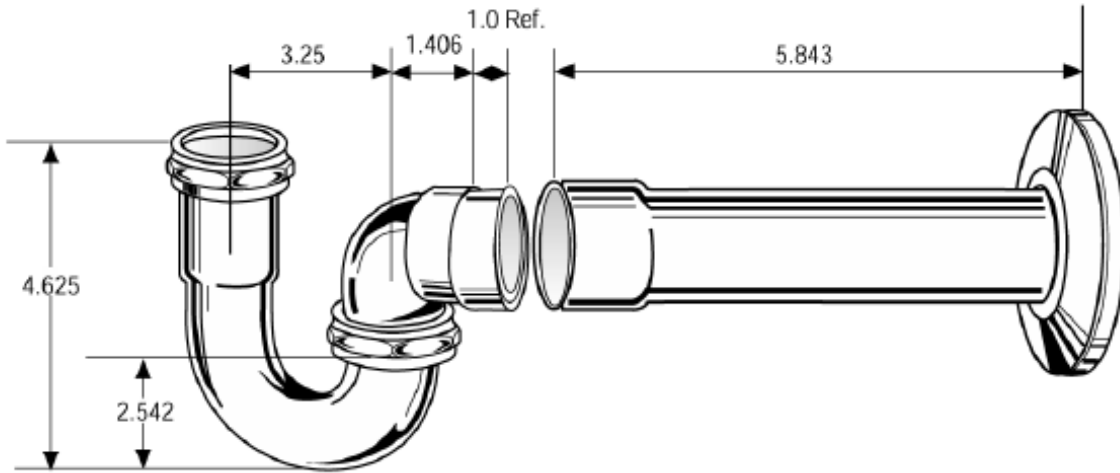
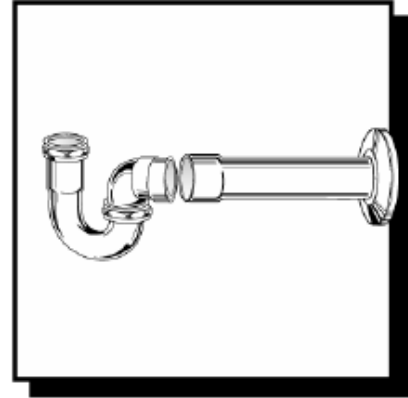
**BRASS TUBULAR  
SINK TRAPS  
WITH EXTENSION COVER TUBE**

**Engineering Specification:** Dearborn Brass Sink Traps with Extension Tube Covers are designed for use in tubular drain applications. Available options include ABS or PVC adapter and Chrome or Polished Brass Finish.

**Job Reference**

**DESCRIPTION**

- Chrome or Polished Brass Finish
- 17 Gauge Brass
- Sink Trap with Cover Tube
  - Metal Flange
  - Sink J-Bend with Ground Joint Flange
  - Cover Tube (Chrome or Polished Brass)
  - Schedule 40 Adapter (ABS or PVC)
  - (1) Brass Nut
  - (1) Rubber Washer
  - (1) Polyethylene Reducing Washer



✓	Product No.	Description	Carton Quantity	Carton Weight (lbs)
	730GPBN-6-1	1-½" x 1-¼" Sink Trap with Sch 40 PVC Adapter, Ground Joint, Cover Tube with Escutcheon and Brass Nut – Chrome Finish	5	6
	730GABN-6-1	1-½" x 1-¼" Sink Trap with Sch 40 ABS Adapter, Ground Joint, Cover Tube with Escutcheon and Brass Nut – Chrome Finish	5	11
	730GPPB-3	1-½" x 1-¼" Sink Trap with Sch 40 PVC Adapter, Ground Joint, Cover Tube with Escutcheon and Brass Nut – Polished Brass Finish	5	12

Data is subject to manufacturing tolerances.