

Location: \_\_\_\_\_

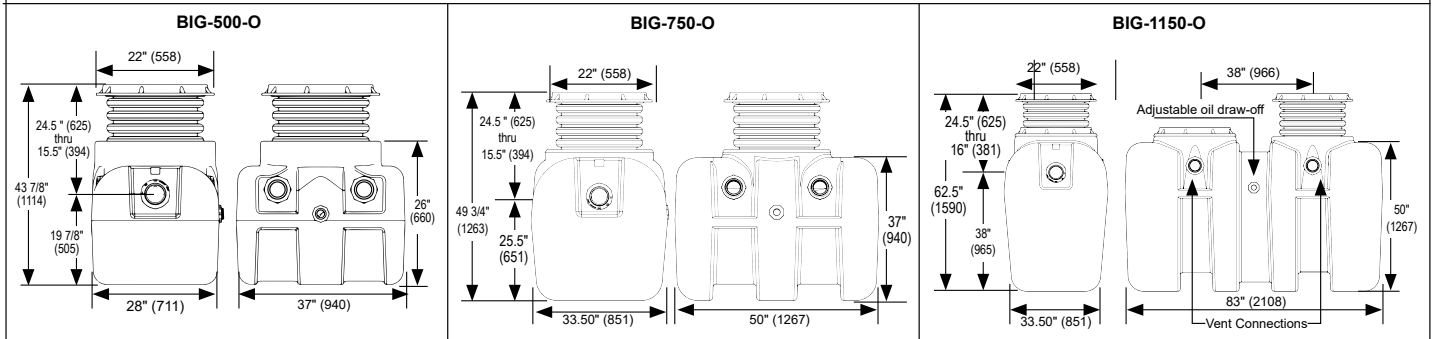
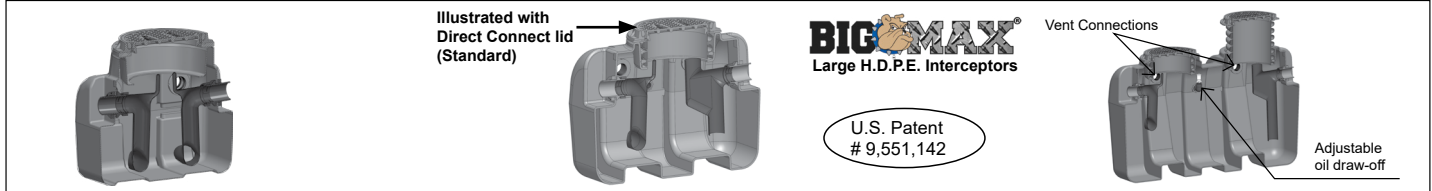


**BIG-O**

**Big Max® – 50, 75 and 100 GPM  
HDPE Oil Interceptors**

**Specification:** MIFAB® Series BIG-\_\_\_\_-O HDPE rotational molded oil interceptor with flow rating of \_\_\_\_ (indicate) and liquid holding capacity of \_\_\_\_ (indicate). Unit shall include: 3/8" uniform wall thickness, deep seal trap covered by lid, adjustable lid system, stainless steel calibrated orifice plate (internal flow control), internal air relief by-pass, adjustable oil draw-off assembly (1 1/2") on each side, double vent connections (3") on each side, sample port access and 4" no hub inlet and outlet connections. Steel encased composite lid provides a water / gas tight seal and has a minimum of 20,000 lbs. load capacity. The lid is designed in accordance with the loading requirements of AASHTO H20.

**Function:** Used in parking garages, service stations, and maintenance areas to receive wastewater that contains oil and sediment. Oil interceptors are required anywhere oil and sand may be introduced to the public sewer system in applications such as: repair garages, oil change stations, car wash facilities, parking garages, parking lots, hydraulic elevator pits and facilities where oil and flammable liquid waste are produced as a result of manufacturing, storage, maintenance, repair or testing processes. The interceptor collects the oil before it is drained to an adjacent storage tank through an adjustable draw off system. Typically installed either on or into the floor. Narrow width permits access through doorways and down stairwells. High Density Polyethylene construction ensures a lightweight installation process (two people can move and install it). Regular maintenance is required to keep the interceptor functioning. All Big Max interceptors can withstand a temperature of up to and including 180 degrees Fahrenheit.



Model No.	Flow Rate (GPM)	Oil Storage Holding Capacity (Gallons)	Liquid Holding Capacity (Gallons/Cu. Ft.)	Sand Capacity (Gallons)	B Width	Shipping Weight (Lbs.)
BIG-500-O	50	41	55 / 7.19	5	28.00"	92
BIG-750-O	75	118	140 / 18.6	14	33.50"	150
BIG-1150-O	100	172	300 / 40	114	33.50"	275

SUFFIX	OPTIONAL VARIATIONS	PART NO.
-AK	Anchor kit (set of two) for BIG-500-O	BIG-500-AK-SET
-AK	Anchor kit (set of two) for BIG-750-O	BIG-750-AK-SET
-AK	Anchor kit (set of two) for BIG-1150-O	BIG-1150-AK-SET
-C	Lid Extension - up to 44" high - for BIG-500-O	BIG-EXT-44
-C	Lid Extension - up to 72" high - for BIG-500-O	BIG-EXT-72
-C	Lid Extension - up to 44" high - for BIG-750-O	BIG-EXT-44
-C	Lid Extension - up to 72" high - for BIG-750-O	BIG-EXT-72
-C	Lid Extension - up to 44" high - for BIG-1150-O	BIG-EXT-44 (2 pcs. Req.)
-C	Lid Extension - up to 72" high - for BIG-1150-O	BIG-EXT-72 (2 pcs. Req.)
-COA	Coalescer pack	BIG-*-COA (* = Specify Size)
-DI	Ductile iron lid and collar - for BIG-500-O	XL-MI-G-0-PL4
-DI	Ductile iron lid and collar - for BIG-750-O	XL-MI-G-0-PL4
-DI	Ductile iron lid and collar - for BIG-1150-O (Two pieces required)	XL-MI-G-0-PL4 (2 pcs. Req.)
-EP	Enzyme port for Lil Max, Big Max, SuperMax	XL-MI-PL-EP
-F6	6" no hub inlet and outlet - for each piece (Two pieces required)	MI-G-PL-PF6
-FL-C	Membrane clamp kit for BIG-500-O and BIG-750-O	XL-MI-G-PL-FLM (2 pcs. Req.)
-FL-C	Membrane clamp kit for BIG-1150-O	XL-MI-G-PL-FLM (2 pcs. Req.)
-HLA	High level alarm and float switch (to be installed on site) (for Lil Max, Big Max, SuperMax)	XL-MI-PL-HLA
-HT	Holding Tank	
-LHSI	No hub inlet on left hand side (not available with sediment bucket) (for Lil Max, Big Max, SuperMax)	MI-G-PL-PF4
-LHSO	No hub outlet on left hand side (not available with sediment bucket) (for Lil Max, Big Max, SuperMax)	MI-G-PL-PF4
-POK	Remote pump out kit (also includes Remote Pump Out (-RPO))	Contact MIFAB
-RHSI	No hub inlet on right hand side (not available with sediment bucket) (for Lil Max, Big Max, SuperMax)	MI-G-PL-PF4
-RHSO	No hub outlet on right hand side (not available with sediment bucket) (for Lil Max, Big Max, SuperMax)	MI-G-PL-PF4
-RPO	3" Remote pump outlet connections on top of interceptor - specify location and number required	Contact MIFAB
-SB	Sediment bucket - for BIG-500-O	BIG-500-PSB
-SB	Sediment bucket - for BIG-750-O	BIG-750-PSB
-SB	Sediment bucket - for BIG-1150-O	BIG-1150-PSB
-SP	External sampling port - inline, high connections	BIG-SP
-SP-L	External sampling port - inline, low connections	BIG-SP-L
-SP-OFF	External sampling port - offset	BIG-SP-OFF
-T	Female threaded connections (for each piece - Two pieces required)	MI-G-PL-PF4T

CALIFORNIA PROPOSITION 65 WARNING. This product contains chemicals known to the State of California to cause cancer and birth defects or other reproductive harm.

Job Name: \_\_\_\_\_ Page No: \_\_\_\_\_  
 Section No: \_\_\_\_\_ Contractor: \_\_\_\_\_  
 Schedule No: \_\_\_\_\_ Purchase Order No: \_\_\_\_\_