

Location: \_\_\_\_\_

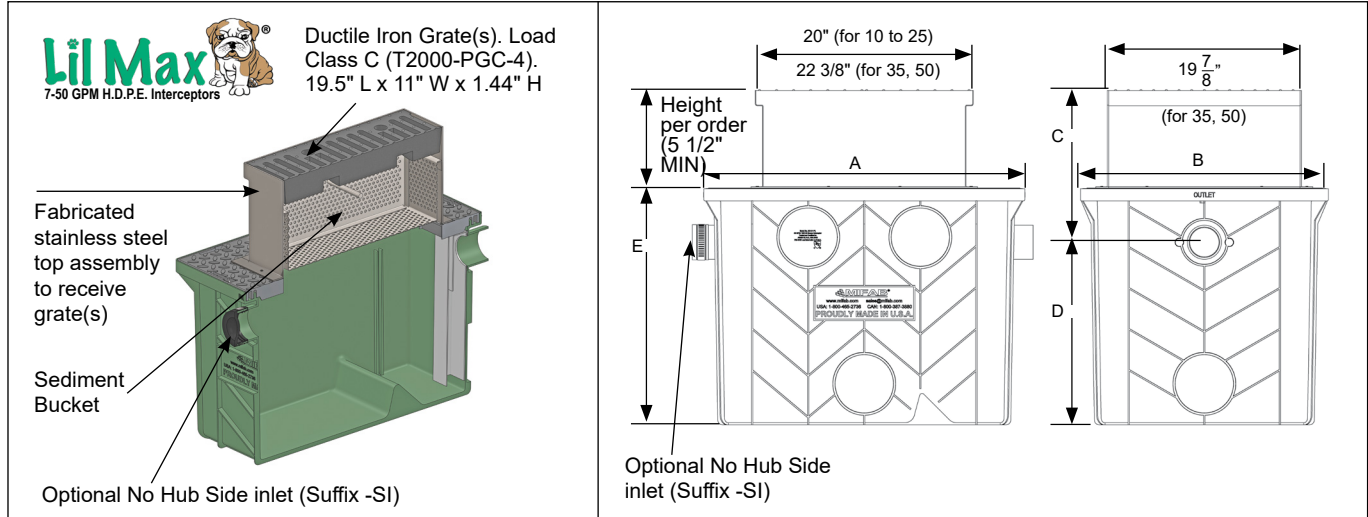


**Lil-OS**

**Lil Max® – 10 to 50 GPM  
HDPE Oil / Sediment Interceptors**

**Specification:** MIFAB® Series Lil-(specify size)-OS HDPE injection molded oil / sediment interceptor with liquid holding capacity of \_\_\_\_ (indicate). Unit shall include: sediment bucket (3/8" Dia holes, 1/2" apart) underneath top inlet ductile iron grate(s), deep seal trap.

**Function:** Oil / sediment interceptors are required anywhere oil and sediment may be introduced to the public sewer system in applications such as: repair garages, oil change stations, car wash facilities, parking garages and facilities where oil and flammable liquid waste are produced as a result of manufacturing, storage, maintenance, repair or testing processes. Sediment and debris are collected inside of the internal sediment bucket. Regular maintenance is required to keep the interceptor functioning. Interceptor to be installed flush with the floor. Standard Lil-OS models are made with open top ductile iron grate(s). The optional -SI models are made with a no hub inlet.



MODEL NO.	LIQUID CAP. (Gallons / Cu. Ft.)	SLUDGE CAPACITY (L.B.S.)	A (IN)	B (IN) WIDTH	D (IN)	E (IN)	F (IN) (OUTLET)	Number of Grates	Shipping Weight (lbs.)
Lil-10-OS	9.2 / 1.2	15	23	17.5	9.75	13.25	2	1	50
Lil-15-OS	13 / 1.7	20	23	17.5	13.25	16.75	2	1	53
Lil-20-OS	16 / 2.1	25	29.5	20.5	10.75	14.25	3	1	61
Lil-25-OS	23 / 3.1	60	29.5	20.5	14.75	18.25	3	1	64
Lil-35-OS	39 / 5.2	80	33	25.5	16.75	22.25	3	2	77
Lil-50-OS	44 / 5.9	90	33	25.5	18.75	24.25	3	2	91

SUFFIX	OPTIONAL VARIATIONS	PART NO.
-3	Stainless steel veneer bolted to top of ductile iron grate (Lil-10-OS to Lil-25-OS)	Contact MIFAB
-3	Stainless steel veneer bolted to top of ductile iron grates (Lil-35-OS and Lil-50-OS)	Contact MIFAB
-C	Extension "C" as required (up to 9" increments) (for models Lil-10-OS to Lil-25-OS (contact MIFAB for other model extensions)	Lil-25-EXT
-C	Extension "C" as required (up to 9" increments) (for models Lil-35-OS and Lil-50-OS)	Lil-50-EXT
-F	Connection sizes different from standard (specify size) (up to 4" with No Hub and up to 3" with F.I.P. connection)	Contact MIFAB
-FSCR	Stainless steel fine screen sediment bucket for Lil-10-OS	MI-G-2-PL-PSB-FSCR
-FSCR	Stainless steel fine screen sediment bucket for Lil-15-OS	MI-G-3-PL-PSB-FSCR
-FSCR	Stainless steel fine screen sediment bucket for Lil-20-OS	MI-G-4-PL-PSB-FSCR
-FSCR	Stainless steel fine screen sediment bucket for Lil-25-OS	MI-G-5-PL-PSB-FSCR
-FSCR	Stainless steel fine screen sediment bucket for Lil-35-OS	MI-G-6-PL-PSB-FSCR
-FSCR	Stainless steel fine screen sediment bucket for Lil-50-OS	MI-G-7-PL-PSB-FSCR
-HLA	High level alarm and float switch (to be installed on site) (for Lil Max, Big Max, SuperMax)	XL-MI-PL-HLA
-LHSI	No hub inlet on left hand side (not available with sediment bucket) (for Lil Max, Big Max, SuperMax)	MI-G-PL-PF4
-LHSO	No hub outlet on left hand side (not available with sediment bucket) (for Lil Max, Big Max, SuperMax)	MI-G-PL-PF4
-RHSI	No hub inlet on right hand side (not available with sediment bucket) (for Lil Max, Big Max, SuperMax)	MI-G-PL-PF4
-RHSO	No hub outlet on right hand side (not available with sediment bucket) (for Lil Max, Big Max, SuperMax)	MI-G-PL-PF4
-SI	No hub inlet located on opposite side of outlet	Contact MIFAB
-SP-IN	External sampling port - inline	Lil-SP
-SP-OF	External sampling port - offset	Lil-SP-OF
-T	Female threaded connections (for Lil Max, Big Max, SuperMax - two pieces required)	MI-G-PL-PF4T

CALIFORNIA PROPOSITION 65 WARNING. This product contains chemicals known to the State of California to cause cancer and birth defects or other reproductive harm.

Job Name: \_\_\_\_\_ Page No: \_\_\_\_\_  
 Section No: \_\_\_\_\_ Contractor: \_\_\_\_\_  
 Schedule No: \_\_\_\_\_ Purchase Order No: \_\_\_\_\_