



# 1-1/2" SINK TRAPS WITHOUT CLEANOUT TECHNICAL SPECIFICATION

Job Name _____	Item # _____
Location _____	
Engineer _____	Contractor _____
PO # _____	Tag _____
Representative _____	

## SPECIFICATIONS

Dearborn Brass 1-1/2" Brass Tubular Sink Trap with Slip Joint or Ground Joint is designed for use in tubular drain applications. Available in 17 or 20 Gauge Brass.

## DESCRIPTION

- Chrome Finish
- 1-1/2" Sink Trap without Cleanout:
  - (1) Sink J-Bend
  - (1) Sink Trap Elbow
  - (1) Metal Flange
  - (1) Brass Nut
  - (1) Zinc Nut
  - (1) Washer
  - (1) Reducing Washer

## APPROVALS AND LISTINGS



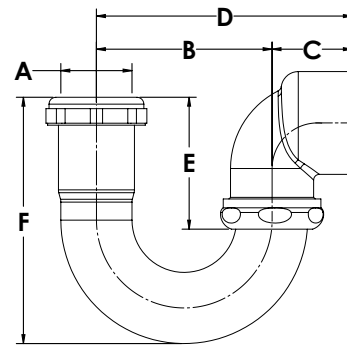
## PRODUCT SELECTOR

1-1/2" SINK TRAPS WITHOUT CLEANOUT				
✓	Product Number	Size	Description	Carton Quantity
	738W-1	1-1/2"	Sink Trap w/ Slip Joint NPT - 20 Ga.	10
	740W-1	1-1/2"	Sink Trap w/ Slip Joint NPT - 17 Ga.	10
	740-1	1-1/2"	Sink Trap w/ Ground Joint NPT - 17 Ga.	10

Data is subject to manufacturing tolerances.

## DIMENSIONS

[A]:	Inlet Size	1.5"	[D]:	Length D	4.7"
[B]:	Length B	3.1"	[E]:	Approximate Slip	2.2"
[C]:	Length C	1.6"	[F]:	Approximate Height F	4.3"



Access BIM/Revit content through [www.oatey.com](http://www.oatey.com)