

KEM18A34A-C Blower module

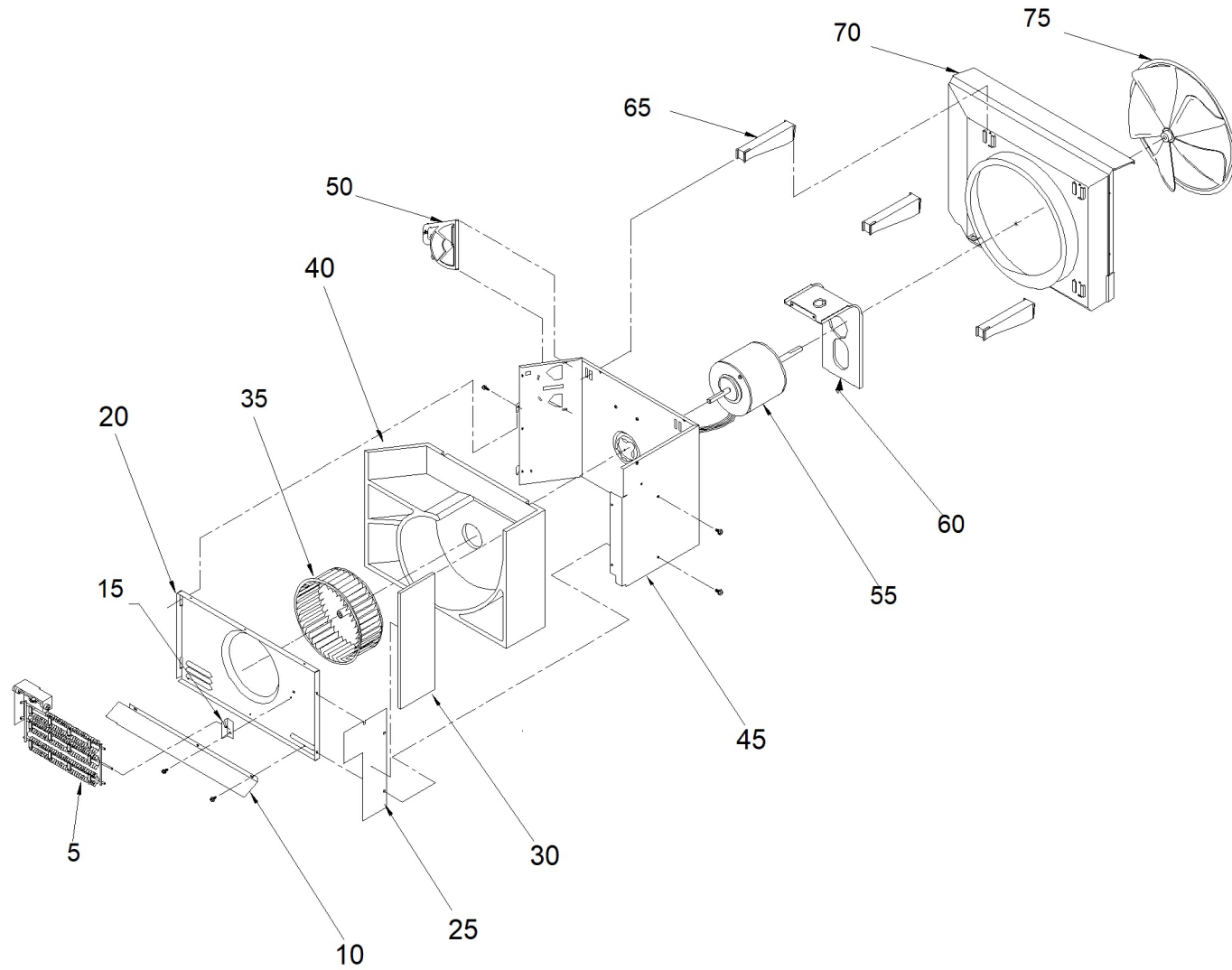

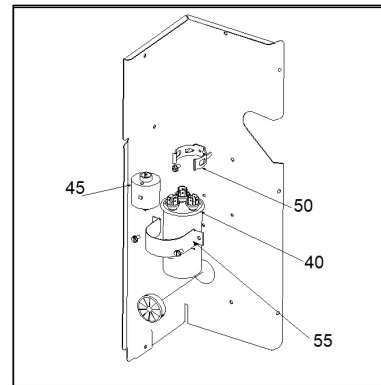
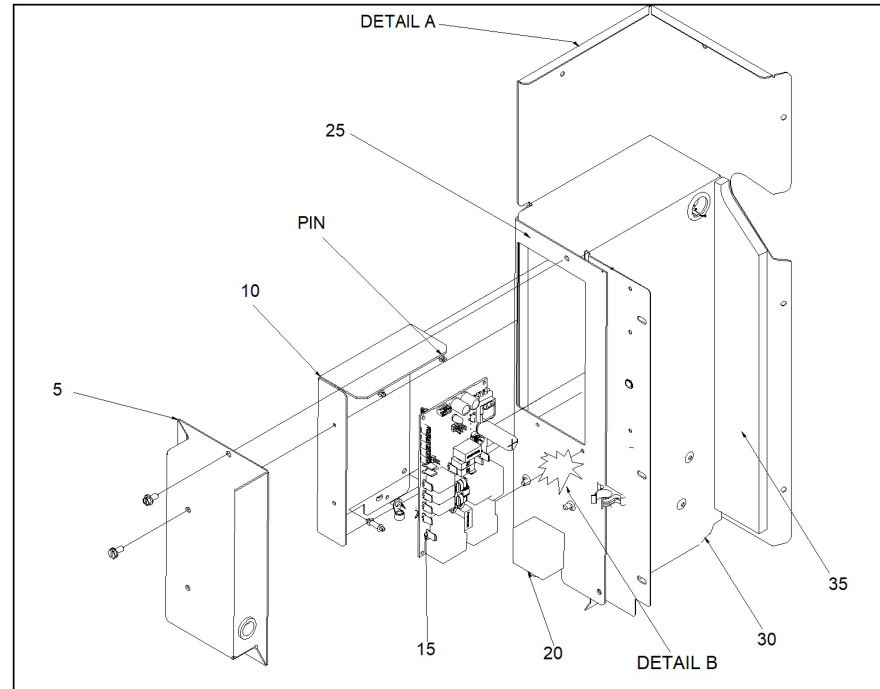


Figure 904 (Blower Module)

**KEM18A34A-C Blower module**

N.	Part Number	Description	Qty	
5	61878611	Heater 4.0 Kw @ 230V (Nxt Wire)	1	
10	61812901	Shield Bottom, Sml/Med 4R	1	
15	61818900	Brkt Heater Mount	1	
20	61817400	Blower Front	1	
25	61821801	Shield Heat, Med	1	
30	61816901	Insul Innerwall, Med	1	
35	60610617	Wheel Blower 8.66 X 4.25	1	
40	61817505	Scroll, Med	1	
45	61907212	Assy Innerwall, Med 2 Brce	1	
50	61821500	Assy Door/Slide, Sml/Med/Lrg	1	
55	61871483	Motor 1/5 4 6P Ccw 2 Psc 5 RAC	1	
60	61820403	Motor Mount, Med	1	
65	61802600	BRACe Shroud, Sml/Med	1	
70	61804901	Shroud Med W/Fd Restraint	1	
75	60542004	Fan Plastic 14.5" Ta1004	1	

KEM18A34A-C Electrical components



Detail A

Non-illustrated part numbers  
 65 FreshAir Connector  
 70 Sensor Kit

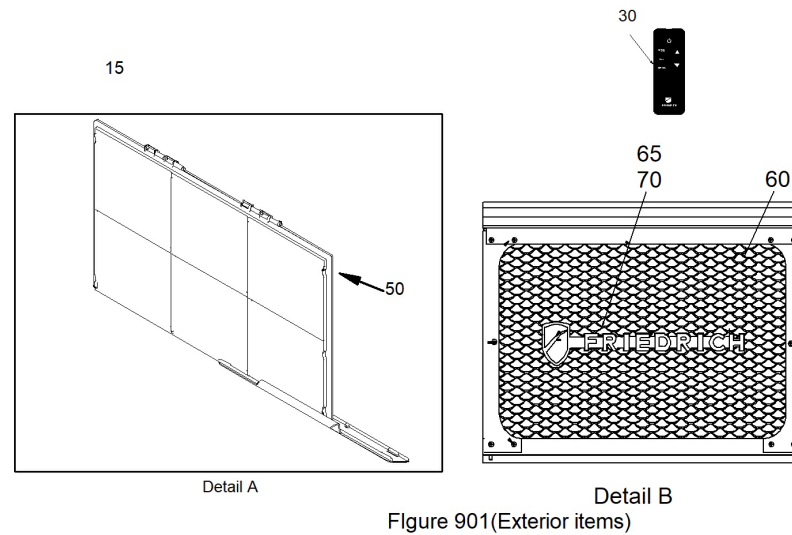
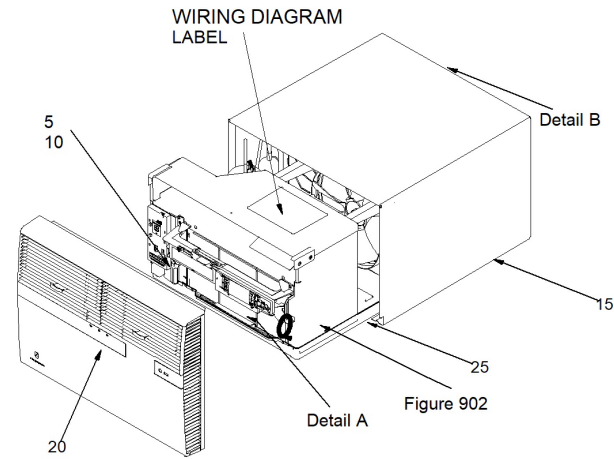
Figure 905 (Electrical Components)

**KEM18A34A-C Electrical components**


N.	Part Number	Description	Qty
5	61807263	Box, Panel Control	1
10	61807264	BRACke Mounting PCB	1
15	67000178	Electronic Control Board Kit RAC Master Power/Relay Module Smpls - 3Sp/Cool/Eh (Pn 62603071) Pin, Circuit Board 4 Ea (Pn 61600527)"	1
20	60500399	Supply Cord 30A 250V 10Awg 90Deg EI	1
25	61807261	Panel Control Mounting Med 2019	1
30	61804310	Assy Partition Med	1
35	61937100	Panel L/S Med	1
40	61080600	Capctr 40/5 Mf 450V 2.0	1
55	60062720	Strap Capacitor	1
65	61814805	Connector Fresh Air S/M	1
70	67000185	Sensor Kit Sensor Id Coil Temp (YI) Gen3 (Pn 62600213) Sensor Od Coil Temp (BI) Gen3 (Pn 62600214) Sensor Indr R/A Temp (Wt) Gen3 (Pn 62600215) Sensor Disch Temp (Bk) Gen3 (Pn 62600216)	1

**KEM18A34A-C Exterior parts**

Non-Illustrated Parts  
 35 Chassis gasket seal  
 40 chassis retainer  
 45 shell guide  
 55 Carbon Filter



**KEM18A34A-C Exterior parts**

N.	Part Number	Description	Qty	
5	62400134	Tool	1	
10	60301802	Clip,Tool	1	
15	61825733	Kit Outer Shell With Honeycomb, Med	1	
20	62400901	Assy Kit Deco Front Svc, Med	1	
25	61808417	Sill Plate Painted, Lrg	1	
30	62602100	RAC Gen Iv - Remote Control Unit- - Xyx-0601	1	
35	61717302	Gasket Chassis Seal (Uv Res S/M/L)	1	
40	61826400	Retainer Chassis	1	
45	61819601	Shell Guide S/M/L	1	
50	62400210	Assy Standard Filter, Med	1	
55	62400203	Assy Filter Carbon, Medium	1	
60	61818521	Expanded Metal Grille Painted Med	1	
65	60169120	Script Friedrich 2010 "Festoon"	1	
70	91002900	Speednut Push Type	1	

KEM18A34A-C Interface and panels

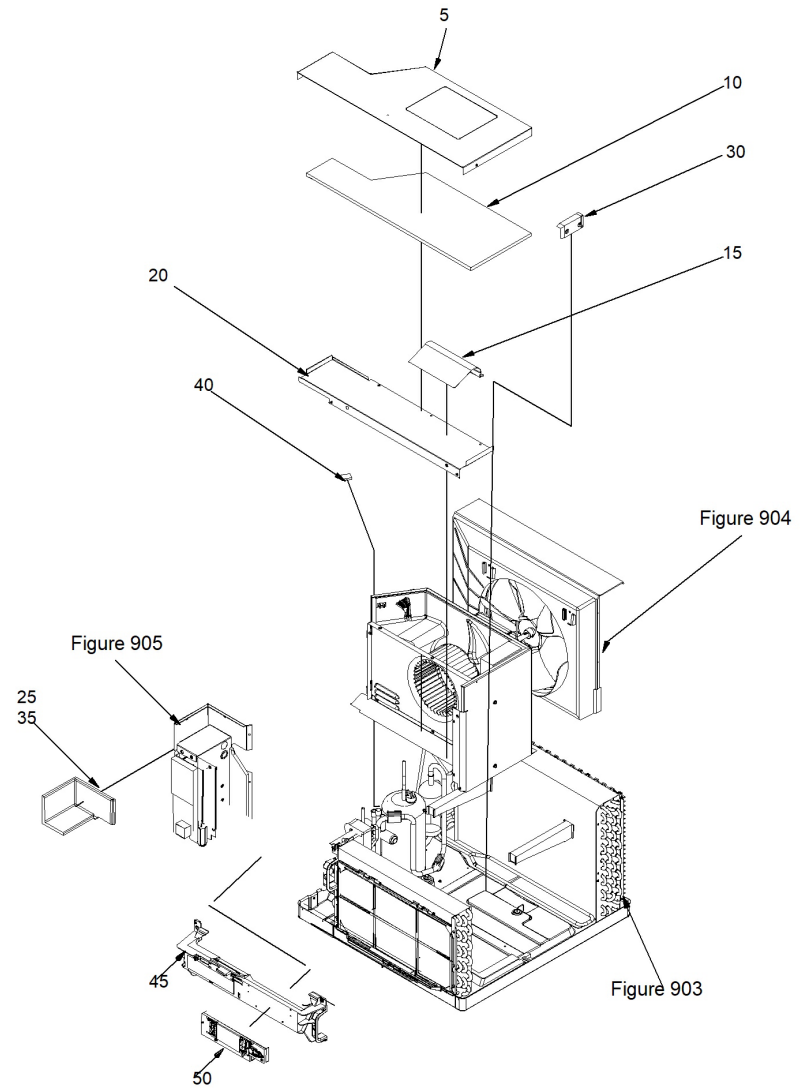



Figure 902 (Interface and Panels)

**KEM18A34A-C Interface and panels**

N.	Part Number	Description	Qty	
5	61906700	Cover Top S/M	1	
10	61816701	Insul Top Cover S/M	1	
15	61820200	Airfoil Sm/Med/Sh	1	
20	61817100	Deck Sml/Med	1	
25	61817001	Insul L/S Panel Med	1	
30	61912107	Chock Block 2012 Sm/Med/Lrg	1	
35	61816800	Insul L/S Air Deck S/M	1	
40	60350107	Gasket Foam Plstc	1	
45	62400124	Assy Ui Holder Mount, Sml/Med	1	
50	67000186	User Interface Kit Includes Front Panel Assy (Pn 62602040-Replaces 62601020), Screws (Pn 90601123), And U/I Cable (Pn 62603091)	1	



KEM18A34A-C Refrigeration

## PARTS CATALOG

Condenser coil (5) and evaporator coil (10) may vary by model sub-revision verify the entire model number as shown on nameplate before ordering the part.

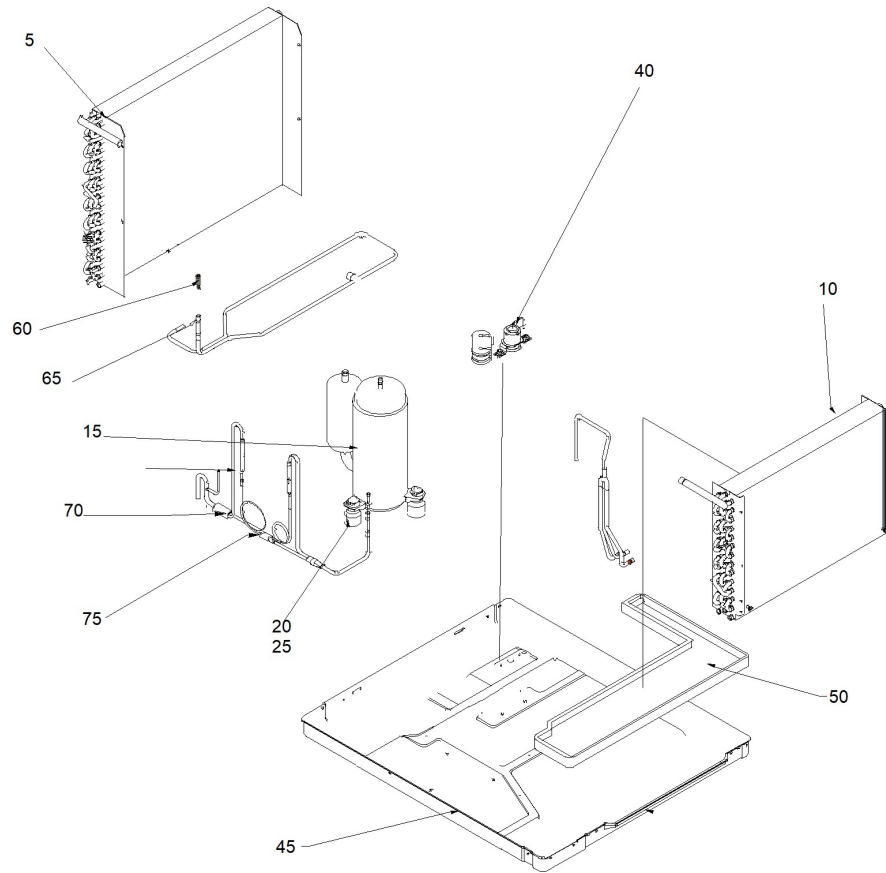


Figure 903 (Refrigeration)

**KEM18A34A-C Refrigeration**

N.	Part Number	Description	Qty
5	61850255	Condenser Coil Mc .312X4X16Rc2V45A21X17H2	1
10	61850168	Coil Mes.312X4X16Rc2V45A18X13H6	1
15	61717179	Kit Compr Replmt 62200139	1
20	91400403	Stud Comp Mtg	1
25	61028905	Grommet Comp 3/8" X 60.5Mm RAC	1
30	25018705	Assy Reversing Valve	1
35	25063605	Reversing Valve Solenoid	1
40	60179904	Condensate Drain Valve	1
45	61803471	Assy Bspan S/M "Y" Bolt Ngt, Item Is Non-Stocked, Will Normally Require Extended Lead Time	1
50	61803800	Drainpan Sml/Med	1
60	61834800	Strainer .312 Coil	1
65	61835001	Strainer Holder	1
70	61883102	Pad Isolation 3X6	1
75	67000188	Cap Tube Assy Kit (Includes Cap Tube Assy (Pn 61994910), Strainer, And Strainer Holder"	1