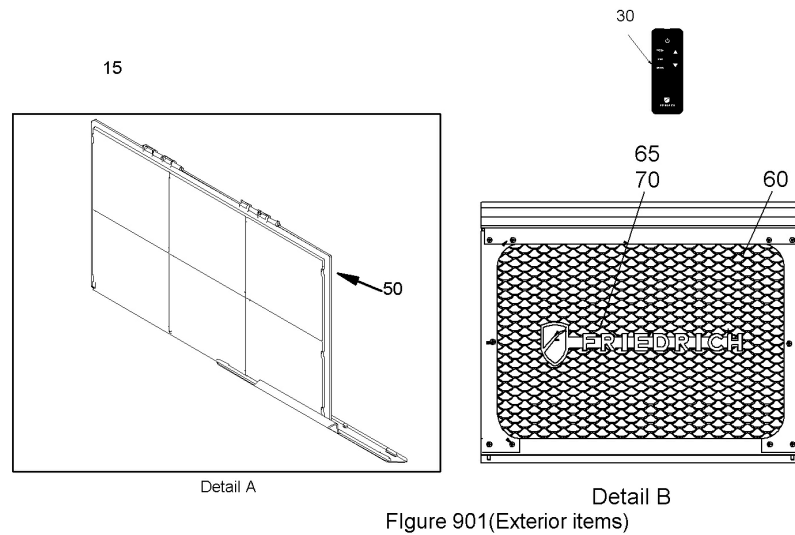
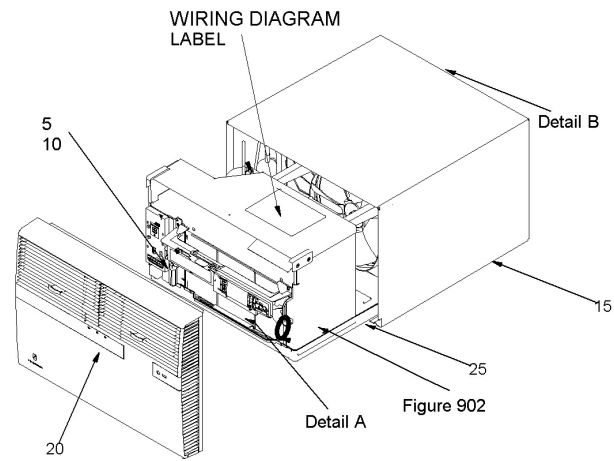



KCS14A10A-D Exterior parts

- Non-Illustrated Parts
 35 Chassis gasket seal
 40 chassis retainer
 45 shell guide
 55 Carbon Filter



KCS14A10A-D Exterior parts

N.	Part Number	Description	Qty	
5	62400134	Tool	1	
10	60301802	Clip,Tool	1	
15	61825732	Kit Outer Shell With Honeycomb, Sml	1	
20	62400900	Assy Kit Deco Front Svc, Sml	1	
25	61808417	Sill Plate Painted, Lrg	1	
30	62602100	RAC Gen Iv - Remote Control Unit- - Xyx-0601	1	
35	61717302	Gasket Chassis Seal (Uv Res S/M/L)	1	
40	61826400	Retainer Chassis	1	
45	61819601	Shell Guide S/M/L	1	
50	62400127	Assy Standard Filter, Sml	1	
55	62400130	Assy Filter Carbon, Sml	1	
60	61818520	Expanded Metal Grille Painted Sm	1	
65	60169120	Script Friedrich 2010 "Festoon"	1	
70	91002900	Speednut Push Type	1	

KCS14A10A-D Interface and Panels

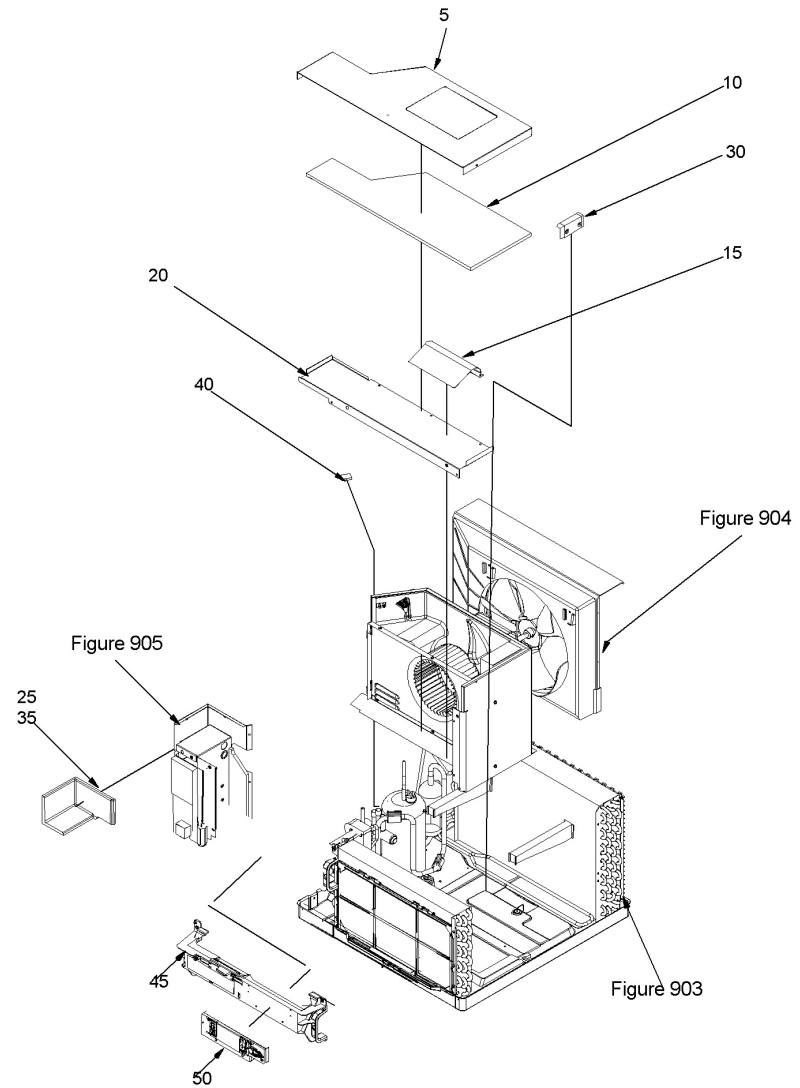



Figure 902 (Interface and Panels)

KCS14A10A-D Interface and Panels

N.	Part Number	Description	Qty	
5	61906700	Cover Top S/M	1	
10	61816701	Insul Top Cover S/M	1	
15	61820200	Airfoil Sm/Med/Sh	1	
20	61817100	Deck Sml/Med	1	
25	61817000	Insul L/S Pnl Sml	1	
30	61912107	Chock Block 2012 Sm/Med/Lrg	1	
35	61816800	Insul L/S Air Deck S/M	1	
40	60350107	Gasket Foam Plstc	1	
45	62400124	Assy Ui Holder Mount, Sml/Med	1	
50	67000186	User Interface Kit Includes Front Panel Assy (Pn 62602040-Replaces 62601020), Screws (Pn 90601123), And U/I Cable (Pn 62603091)	1	

PARTS CATALOG

Condenser coil (5) and evaporator coil (10) may vary by model sub-revision verify the entire model number as shown on nameplate before ordering the part

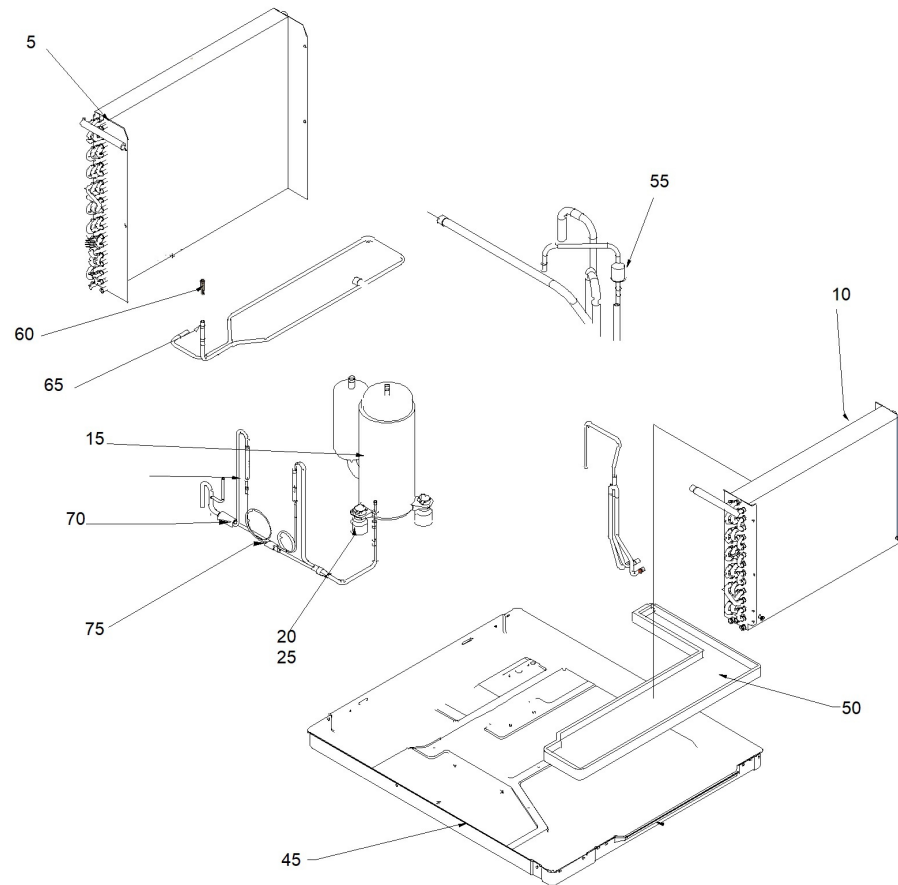


Figure 903 (Refrigeration)

KCS14A10A-D Refrigeration

N.	Part Number	Description	Qty
5	61896315	Coil Scs.5Mmx3X18Rc9K45A21X15H6	1
10	61850128	Evaporator Coil Ses.312X4X16Rc2V45A18X11H5	1
15	61718138	Kit Compr Replmt 62200137	1
20	91400402	Stud Comp Mtg	1
25	61028904	Compressor Grommet	1
45	61803471	Assy Bspan S/M "Y" Bolt Ngt, Item Is Non-Stocked, Will Normally Require Extended Lead Time	1
50	61803800	Drainpan Sml/Med	1
55	80112500	High Pressure Switch	1
60	61834800	Strainer .312 Coil	1
65	61835001	Strainer Holder	1
75	67000224	Cap Tube Assy Kit (Includes Cap Tube Assy (Pn 6182242), Strainer, And Strainer Holder"	1

KCS14A10A-D Blower module

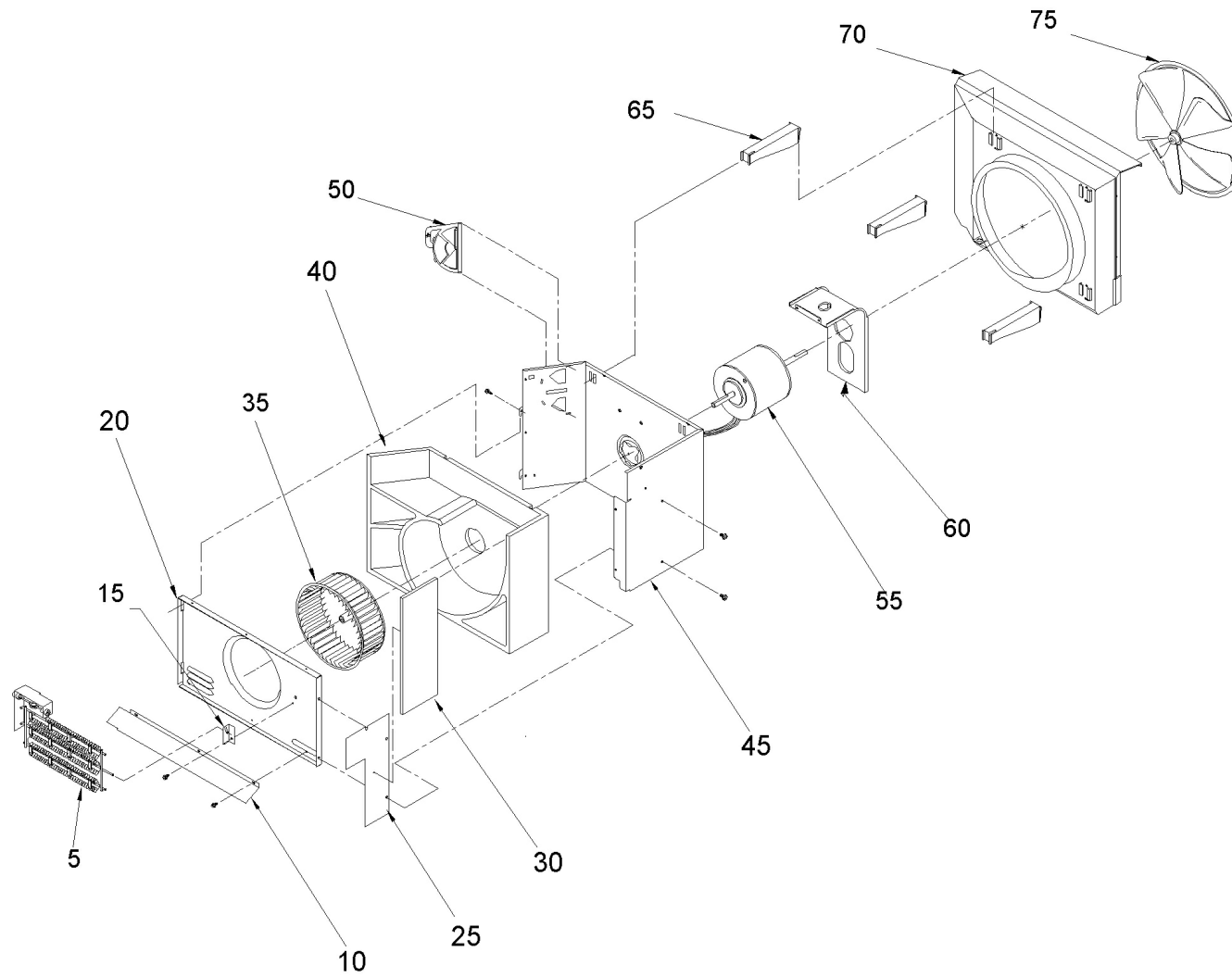
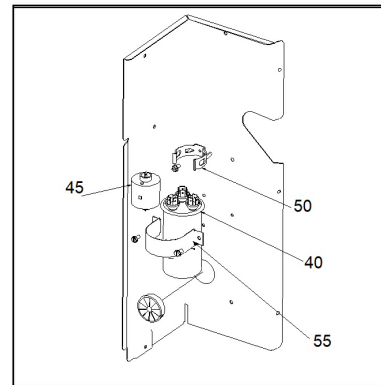
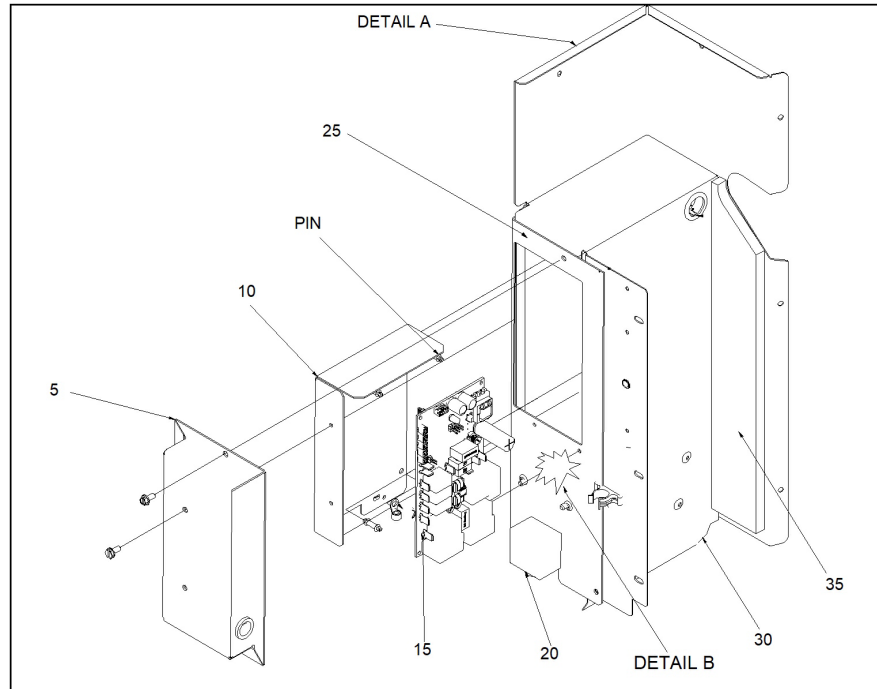


Figure 904 (Blower Module)

KCS14A10A-D Blower module

N.	Part Number	Description	Qty	
20	61817300	Blower Front	1	
30	61816900	Insul Innerwall Sml	1	
35	60610603	Wheel Blower 7.093 X 3.562	1	
40	61814905	Scroll	1	
45	61907312	Assy Innerwall, Sml 2 Brce	1	
50	61821500	Assy Door/Slide, Sml/Med/Lrg	1	
55	61871485	Motor 130W 1 6P Ccw 2 Psc 10 RAC	1	
60	61802500	Fan Motor Mount	1	
65	61802600	BRACe Shroud, Sml/Med	1	
70	61803601	Shroud, Condenser	1	
75	60542015	Fan 13" Cw 6Bl .500	1	

KCS14A10A-D Electrical components


Detail A

Non-illustrated part numbers
 65 FreshAir Connector
 70 Sensor Kit

Figure 905 (Electrical Components)

KCS14A10A-D Electrical components

N.	Part Number	Description	Qty
5	61807263	Box, Panel Control	1
10	61807264	BRACke Mounting PCB	1
15	67000179	Electronic Control Board Kit RAC Master Power/Relay Module Smpls - 4Sp/Cool (Pn 62603072) Pin, Circuit Board 4 Ea (Pn 61600527)	1
20	60500390	Supply Cord 15A 125V 14Awg 90Deg EI	1
25	61807260	Panel Control Mounting Sml 2019	1
30	61802810	Assy Partition Sml	1
35	61937200	Panel L/S Sml	1
40	61080582	Capctr 55/10 Mf 370V 2.0	1
55	60062720	Strap Capacitor	1
65	61814805	Connector Fresh Air S/M	1
70	67000185	Sensor Kit Sensor Id Coil Temp (YI) Gen3 (Pn 62600213) Sensor Od Coil Temp (BI) Gen3 (Pn 62600214) Sensor Indr R/A Temp (Wt) Gen3 (Pn 62600215) Sensor Disch Temp (Bk) Gen3 (Pn 62600216)	1