

KEQ08A11A-F Blower Module

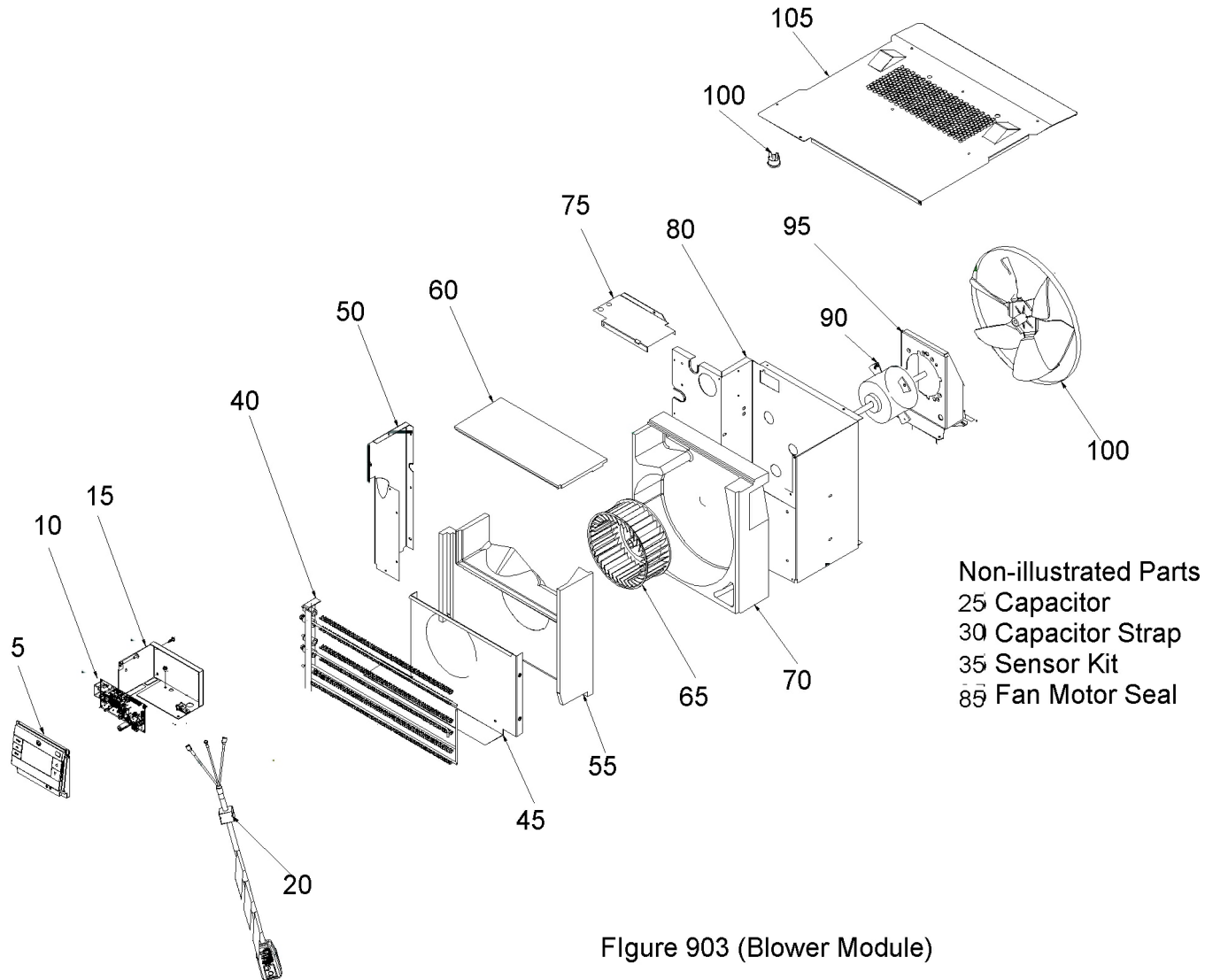


Figure 903 (Blower Module)

KEQ08A11A-F Blower Module

N.	Part Number	Description	Qty
5	67000204	User Interface Kit (Includes Front Panel Assy (Pn 62606000-Replaces 62603000) And U/I Cable (Pn 62603096)	1
10	67000178	Electronic Control Board Kit RAC Master Power/Relay Module Smpls - 3Sp/Cool/Eh (Pn 62603071) Pin, Circuit Board 4 Ea (Pn 61600527)"	1
15	61923902	Electronic Control Mtg BRACKET 2019	1
20	60500500	Sply Crd 15A 125V 14G	1
25	61080594	Capctr 55/7.5 Mf 370V 2.0	1
30	60062720	Strap Capacitor	1
35	67000185	Sensor Kit Sensor Id Coil Temp (Yl) Gen3 (Pn 62600213) Sensor Od Coil Temp (Bl) Gen3 (Pn 62600214) Sensor Indr R/A Temp (Wt) Gen3 (Pn 62600215) Sensor Disch Temp (Bk) Gen3 (Pn 62600216)	1
40	61929611	Heater 1.15 Kw @ 115V (Nxt Wire)	1
45	61928801	Panel Blwr Front Eq 2003	1
50	61924300	Panel L/S Eq/Xq	1
55	61947500	Duct Discharge	1
60	61990701	Blower Front Top	1
65	60610626	Wheel Blwr 7.00X6.43X3X59	1
70	61990606	Scroll Q Chassis	1
75	61619405	Deck (Eq08)	1
80	61597318	Innerwall Eq	1
85	60217902	Seal Fan Mtr To Inner Wall	1
90	61871515	Mtr 1/10 1 4P Ccw 2 Ecm (Fused) Interchangeable With 61871519 (Overload Auto Reset)	1
95	61776900	Motor Mount Xq	1
100	61634000	Fan Plastic 11.0 Xq12	1

KEQ08A11A-F Blower Module

N.	Part Number	Description	Qty	
105	61619519	Cover Top Q-Chassis Painted	1	

KEQ08A11A-F Exterior parts

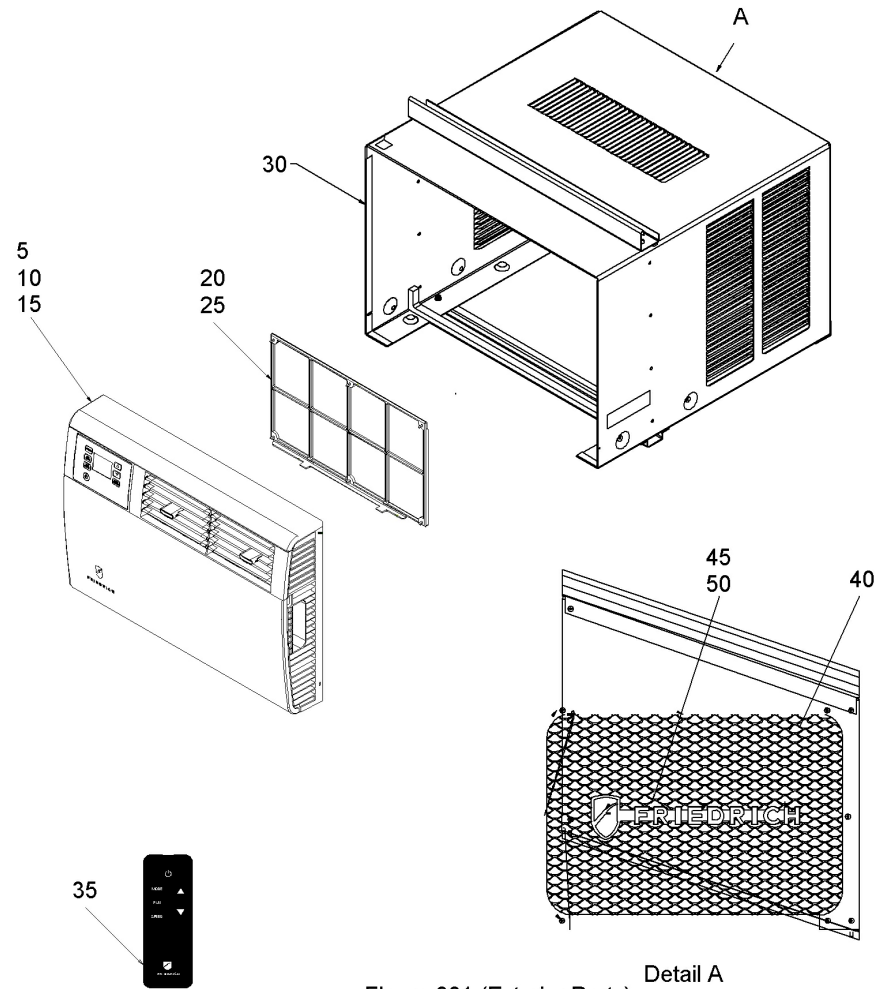



Figure 901 (Exterior Parts) Detail A

KEQ08A11A-F Exterior parts

N.	Part Number	Description	Qty	
5	62400701	Assy Frnt Plstc Q	1	
10	62400715	Assy Door Q	1	
15	62400122	Pin Hinge Door	1	
20	62400726	Assy Filter Mesh Q	1	
25	62400144	Assy Filter Carbon Sq	1	
30	61625815	Assy Shell S/W Sq Vented 2015	1	
35	62602100	RAC Gen Iv - Remote Control Unit- - Xyx-0601	1	
40	61818523	Expanded Metal Grille Painted Kuhlq	1	
45	60169120	Script Friedrich 2010 "Festoon"	1	
50	91002900	Speednut Push Type	1	

KEQ08A11A-F Refrigeration

VERIFY ENTIRE MODEL NUMBER AS SHOWN ON NAMEPLATE BEFORE ORDERING THE

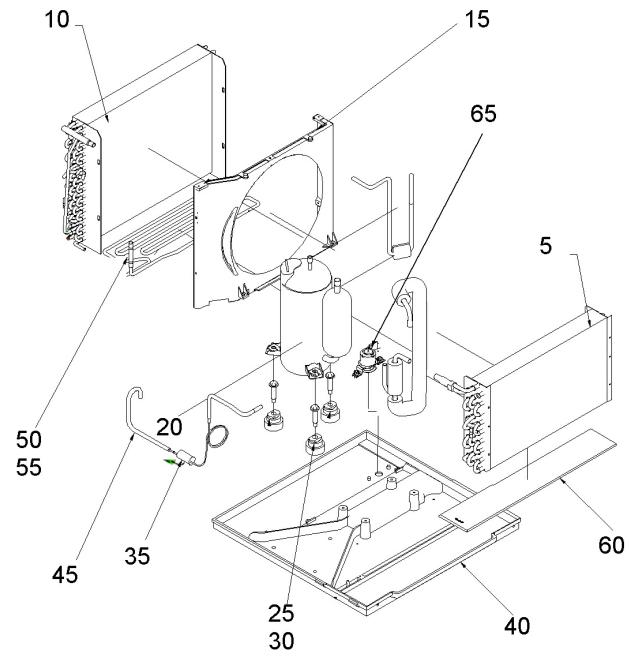


Figure 902 (Refrigeration)

KEQ08A11A-F Refrigeration

N.	Part Number	Description	Qty
5	61850268	Condensor Coil	1
10	61600501	Evaporator Coil Qes.312X3X18Rc2E45A15X09H6	1
15	61627601	Shroud 'Q'	1
20	61718126	Kit Compr Rplmnt 62200315	1
25	91400402	Stud Comp Mtg	1
30	61028904	Compressor Grommet	1
35	61883101	Pad Isolation 2X4	1
40	61626314	Basepan Q Chassis Rg/Qa	1
45	67000205	Cap Tube Assy Kit (Includes Cap Tube Assy (Pn 61920268), Strainer, And Strainer Holder	1
50	61834800	Strainer .312 Coil	1
55	61835001	Strainer Holder	1
60	61638400	Drain Pan	1
65	60179904	Condensate Drain Valve	1