



PFPCVN SERIES PVC Spring Check Valves

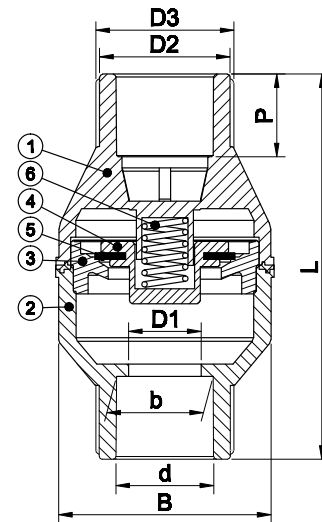
Product Features

- Solvent weld with EPDM seats and stainless steel spring
- Working Non-Shock Pressure: 150 psi @ 73°F
- Media Temperature Range: 32°F – 140°F
- Minimum flow: 2 psi
- Not for use on compressed air or gases
- Not for use with hot water systems



PFPCVNF

No.	Part	Material	Pieces
1	Upper Body	UPVC	1
2	Lower Body	UPVC	1
3	Connector Seat	UPVC	1
4	Spigot	UPVC	1
5	Seat	EPDM	1
6	Spring	SUS304	1



Dimensions (inches)

Model No.	Nom. Size	d	b	P	D1	D2	D3	B	L
PFPCVNF	3/4	1.058	1.046	1.000	0.820	1.378	1.457	2.205	4.134
PFPCVNG	1	1.325	1.310	1.125	1.090	1.772	1.850	2.874	5.276
PFPCVNH	1-1/4	1.670	1.655	1.250	1.320	2.047	2.126	3.583	6.181
PFPCVNJ	1-1/2	1.912	1.894	1.375	1.540	2.362	2.441	3.583	6.181
PFPCVNK	2	2.387	2.369	1.500	2.010	2.874	2.953	4.213	7.008

Warranty and Codes

This PROFLO product carries a 1-year limited warranty.