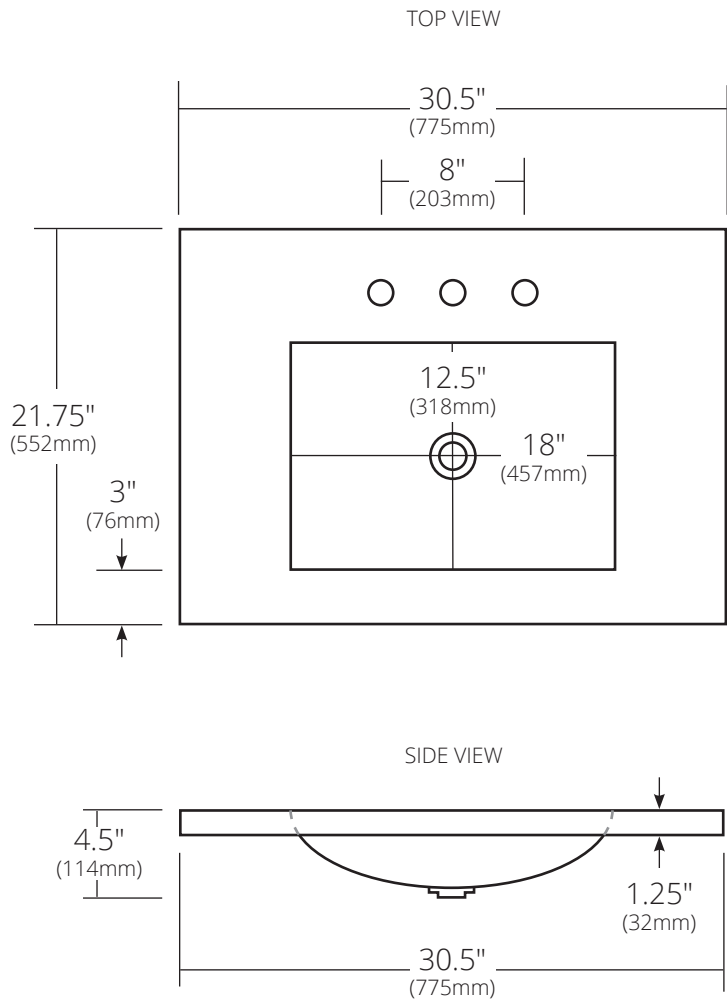


SPECIFICATIONS

**30" COZUMEL VANITY TOP**



VNT3022 Antique  
VNT3055 Brushed Nickel

**PRODUCT DETAILS**

- 30.5"w x 21.75"d x 4.5"h (775mm x 552mm x 114mm)
- Vanity Top Thickness: 1.25" (32 mm)
- Basin: 18"w x 12.5"d x 4"h (457mm x 318mm x 102mm)
- Hand hammered, 16 gauge recycled copper
- Pre-drilled for 8" (203mm) faucet spread
- 1.5" (38mm) drain opening

**COORDINATING PRODUCTS**

- Drains: DR120, DR130 or DR150
- Sedona or Divinity Mirror

**STANDARDS COMPLIANCE**



**IMPORTANT**

Due to the handcrafted nature of this product, it will vary in finish, texture, hammering, and other details. Dimensions may vary up to .25" (6mm).