



BRADFORD WHITE[®]
W A T E R H E A T E R S

COMMERCIAL REPLACEMENT PARTS LIST

**High Efficiency
Commercial Gas Water Heater**



EF120T(400,500)3N(A)3

Includes Hydrojet[®]
Total Performance System

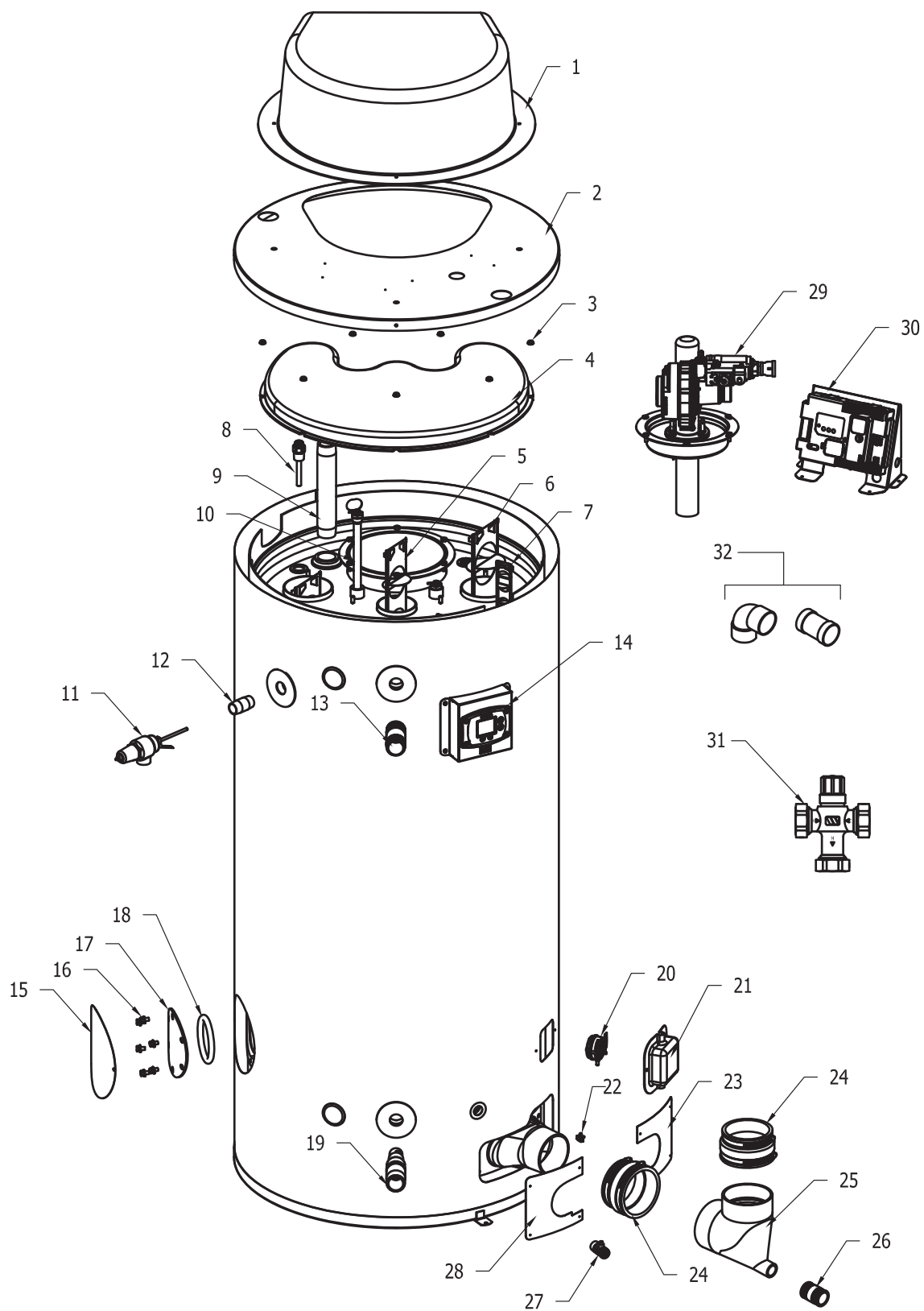
***Effective: February, 2019
ECO 8160***

**NOTE: BOTH MODEL AND SERIAL
NUMBERS ARE REQUIRED FOR
ORDERING REPLACEMENT PARTS**

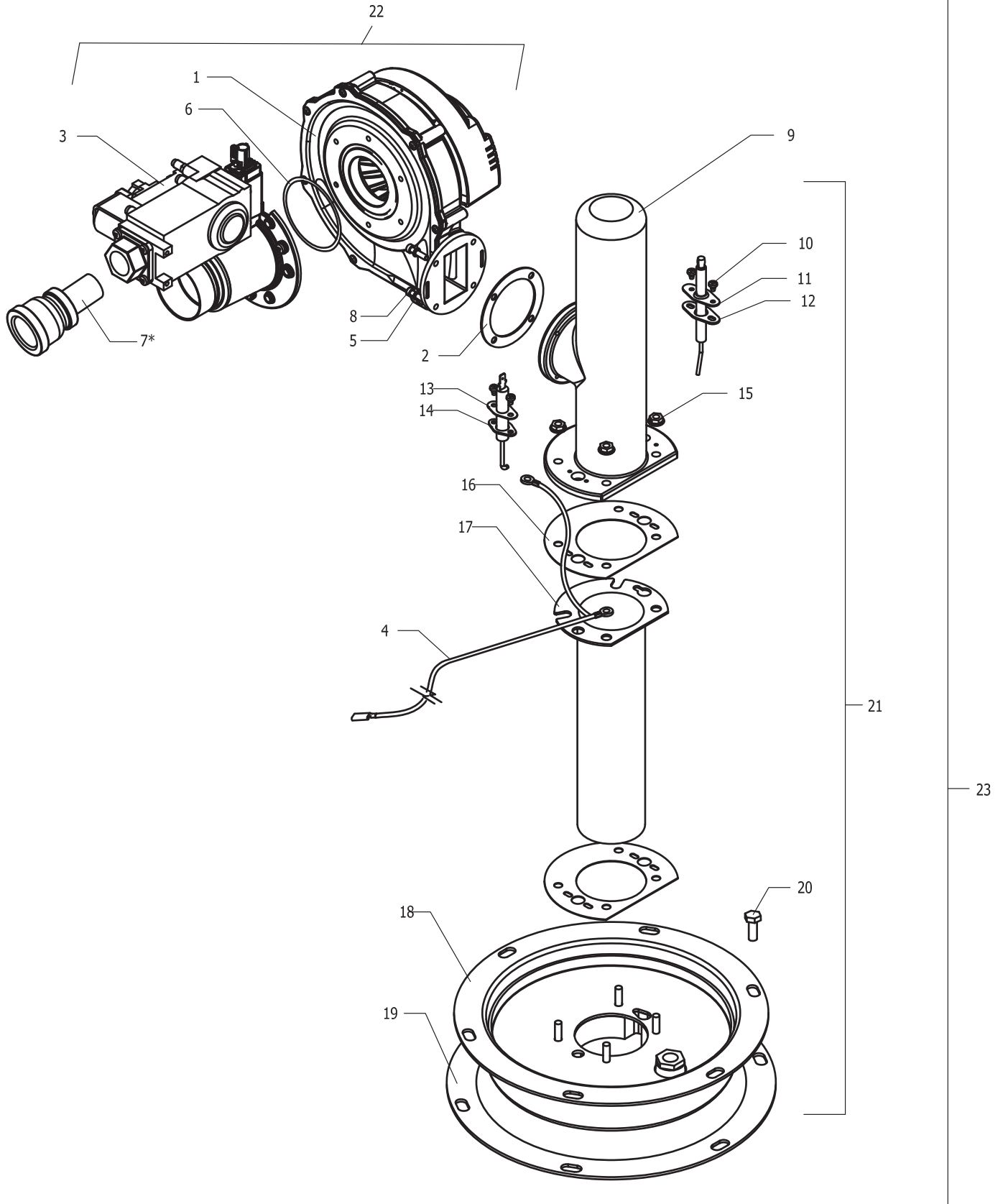
Dimensions and specifications
subject to change without notice.

WARNING
CANCER AND REPRODUCTIVE HARM
WWW.P65WARNINGS.CA.GOV

As required by the state of California Proposition 65.



Item	Description	Model
1	Surround with Latches	EF120T4003N 239-53581-00
2	Jacket Head	239-53427-00
3	Hex Nut 1/4-20 Serrated	239-43297-00
4	Exhaust Collector	239-53037-00
5	Baffle 4" Flue (1 req'd)	239-46099-00
6	Baffle 5" Flue (2 req'd)	239-53308-00
7	Baffle 2" Flue (19 Req'd)	239-45658-00
8	Sensor Well	233-46558-01
9	Top Outlet Nipple	229-40913-01
10	Power Anode (2 req'd)	224-46075-00
11	T&P Valve	230-33630-04
12	T&P Nipple	229-50053-02
13	Front Outlet Nipple	229-40913-02
14	Control Display Assembly	SEE PAGE 6
15	Cleanout Cover Access	243-20299-00
16	Screw 5/16 - 18 x 3/4 (5 req'd)	239-32970-00
17	Cleanout Cover	205-18428-00
18	Cleanout Gasket	205-18427-00
19	Inlet Diptube	229-53188-00
20	Exhaust Pressure Switch	239-46037-01
21	Pressure Switch Cover	239-80281-03
22	Exhaust Limit Switch	239-43238-03
23	Service Door Right	239-53487-00
24	Exhaust Coupler	239-53384-00
25	Condensate Elbow	239-53041-00
26	Condensate Coupler	239-53385-00
27	Drain Valve	227-48070-02
28	Service Door Left	239-53486-00
29	Burner Assembly (Specify Model)	SEE PAGE 4
30	Control Panel Assembly	SEE PAGE 6
31	Thermostatic Mixing (Optional)	239-51778-00
32	Intake/Exhaust Vent Terminals	239-53455-00



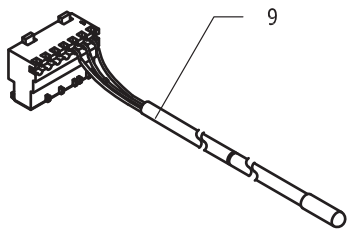
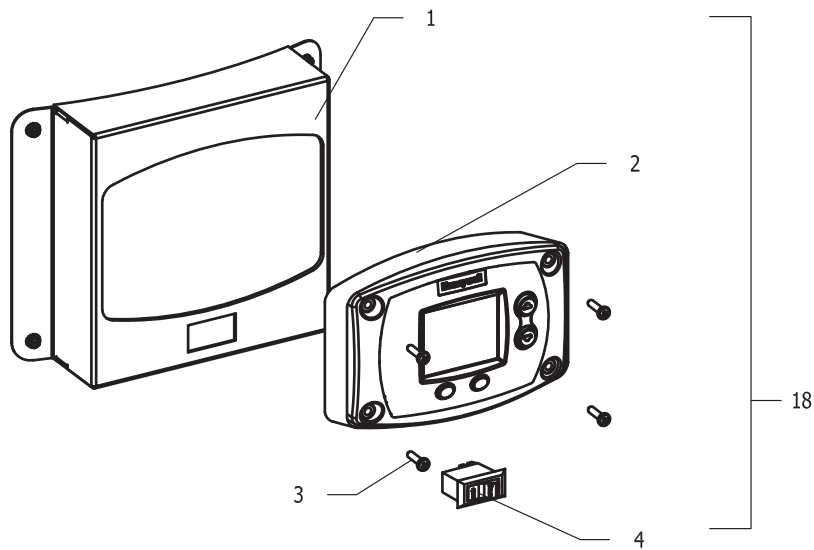
Item	Description	Model
1	Blower w/Gasket	415-51310-00
2	Blower Transition Gasket	239-43241-00
3	Venturi & Gas Valve Assembly	243-53478-01
4	Ground Wire	239-51994-00
5	Washer - #10 Lockwasher (4 Req'd)	239-18461-00
6	Venturi Gasket ◊	239-51397-00
7	Gas Piping assembly*	243-53497-00
8	Screw 10-32 x .75 Skt Head Cap (4 Req'd)	239-43273-00
9	Transition Tube Blower to Burner	239-52974-00
10	Screw - #8-32 x 1/4 (4 Req'd)	239-43272-00
11	Spark Rod	233-53078-00
12	Gasket Spark Rod	239-43370-00
13	Flame Sensor w/Gasket	415-43232-00
14	Gasket Flame Sensor	239-43371-00
15	Nut Hex Washer 1/4-20 Serrated(4 req'd for Trans Tube)	239-43297-00
16	Gasket Burner (2 Req'd)●	239-53301-00
17	Burner w/Gasket	265-53033-00
18	Burner Mounting Assembly	239-53027-00
19	Combustion Assembly Gasket	239-53445-00
20	Screw 5/16-18 x 3/4 (5 Req'd)	239-32970-00
21	Burner Assembly *	243-53476-00
22	Blower and Gas Valve Assembly *	243-53480-01
23	Assy-Complete Combustion System*	243-53482-01

* Ordering a complete assembly may increase delivery time. Please order the specific component required for the

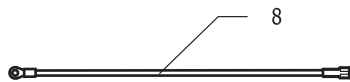
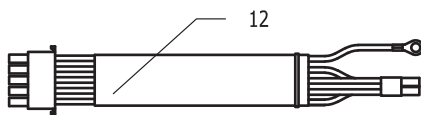
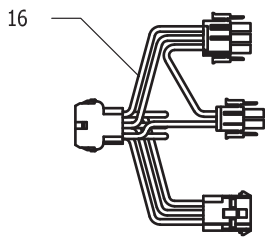
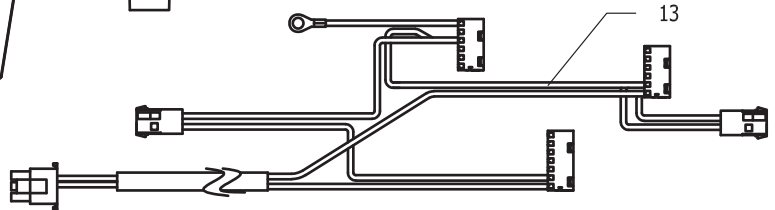
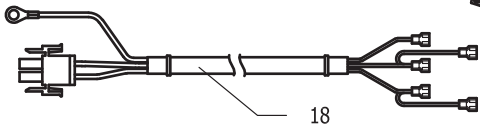
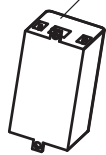
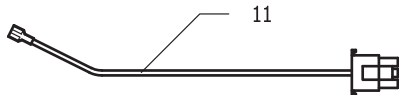
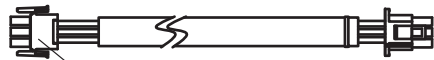
◊ Included with Item 1 & 3

● Included with Items 17 & 21

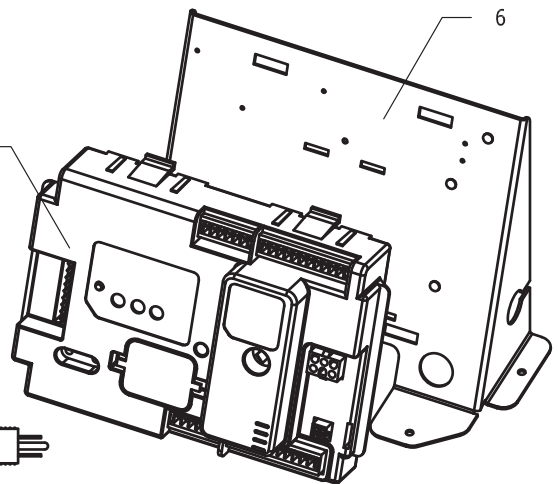
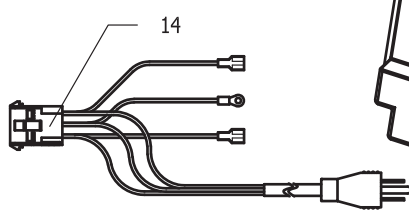
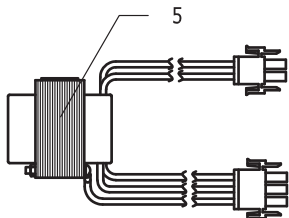
* To be purchased separately



19

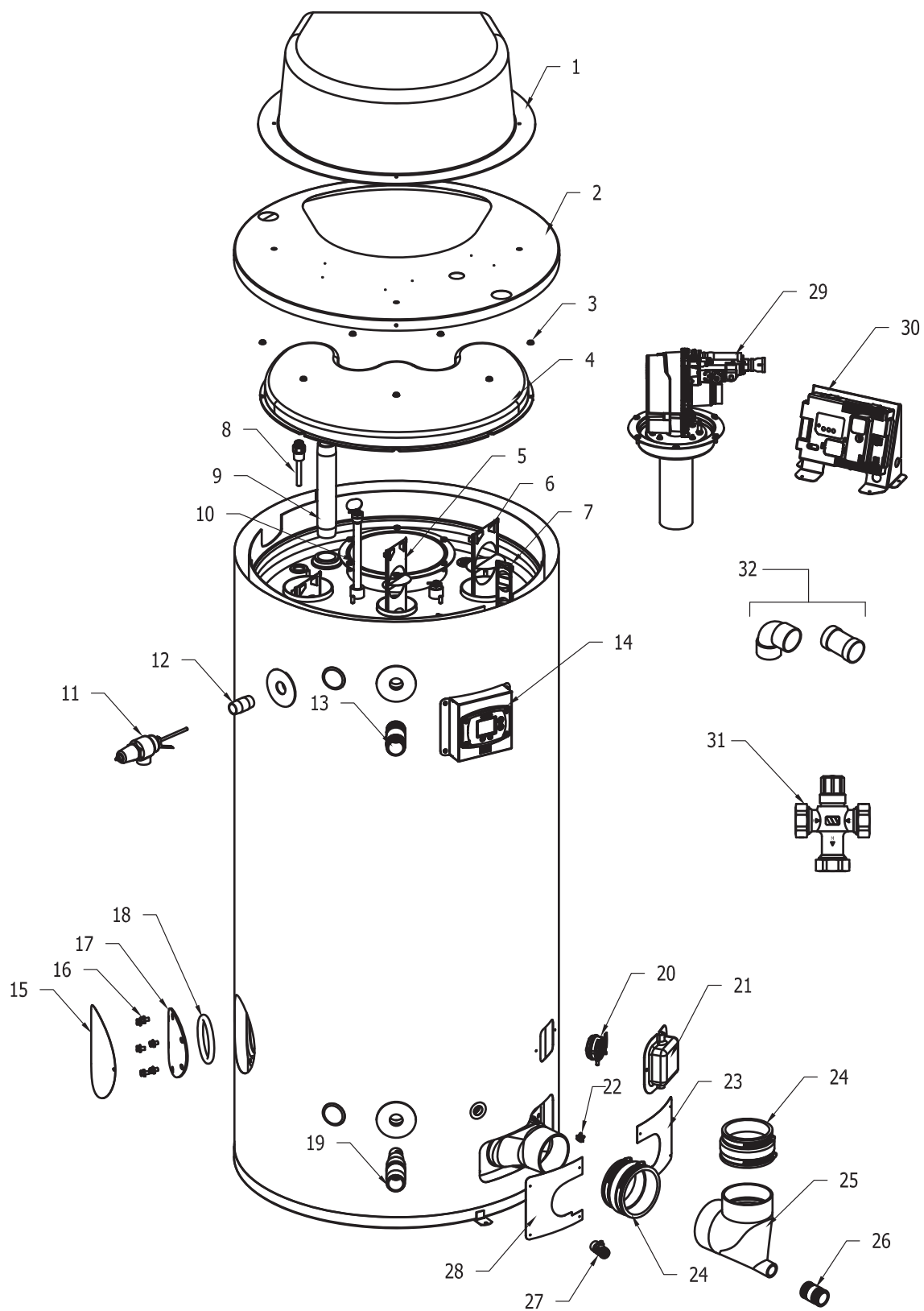


7

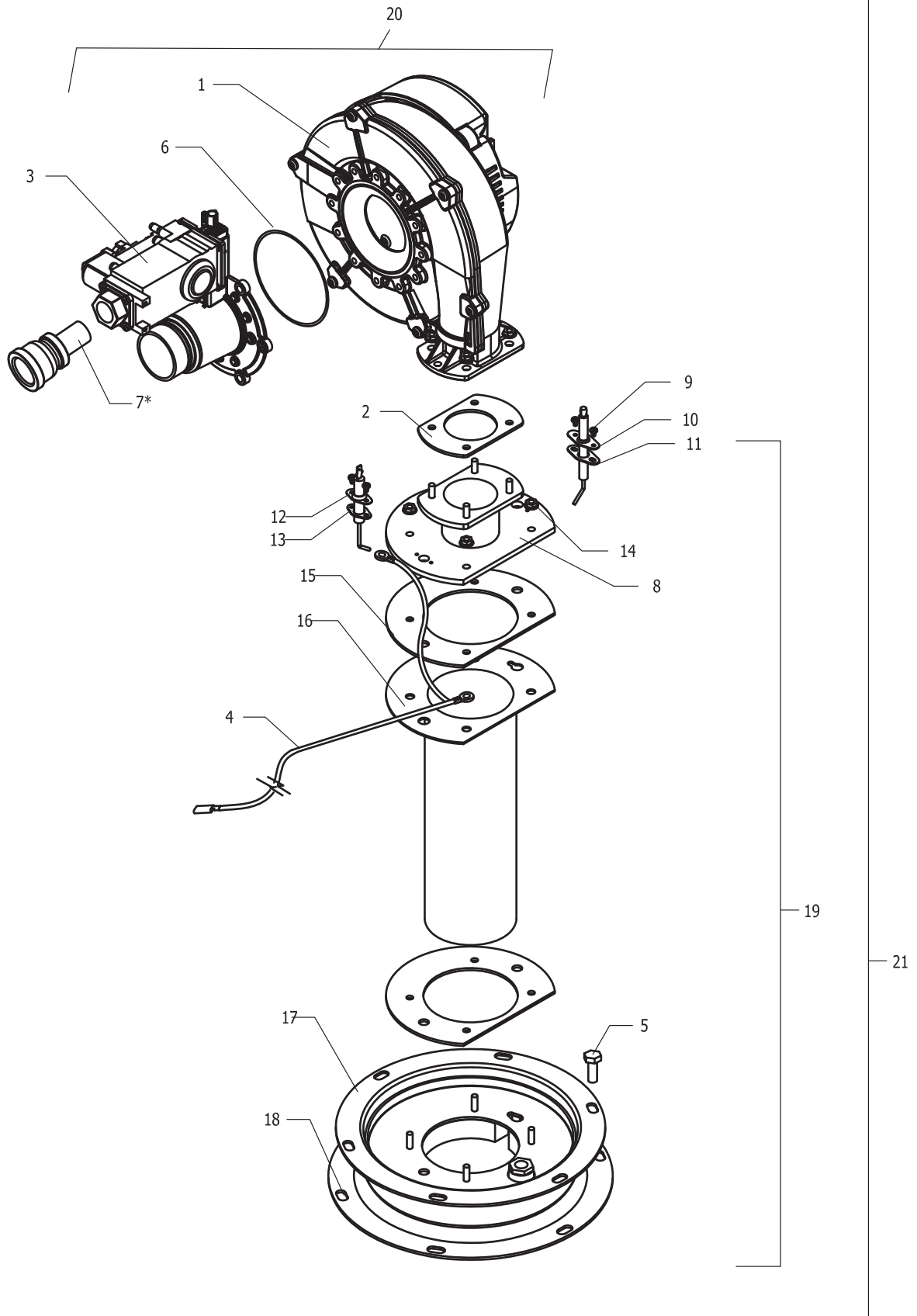


Item	Description	Model
1	Display Mount	EF120T4003N 239-50508-00
2	Control Display-Honeywell Integrated Control w/Harness	415-48231-00
3	Screw-#8-18 X .75 for Control Display (4 req'd)	239-41104-00
4	Main Power Switch	239-50586-00
5	Transformer 120V to 24V	233-50559-00
6	Control Panel	239-50514-00
7	Integrated Control Board	233-53470-00
8	Ground Wire	239-38951-91
9	T-Stat Sensor Harness	239-53458-00
10	High Voltage Spark Cable	239-50887-00
11	Flame Sensor Wire	239-48237-00
12	Blower Modulation Harness	239-48170-00
13	Ignition Control Harness	239-53460-00
14	Power Cord Harness	239-53464-00
15	Power Anode Module	239-46229-00
16	Power Switch Harness	239-53459-00
17	Blower Power Harness	239-53465-00
18	Display Assembly*	243-51213-00
19	Control Assembly*	243-53474-01

* Ordering a complete assembly may increase delivery time. Please order the specific component required for the



Item	Description	Model
1	Surround with Latches	EF120T5003N 239-53581-00
2	Jacket Head	239-53427-00
3	Hex Nut 1/4-20 Seratted	239-43297-00
4	Exhaust Collector	239-53037-00
5	Baffle 4" Flue (1 req'd)	239-46099-00
6	Baffle 5" Flue (2 req'd)	239-53308-00
7	Baffle 2" Flue (19 Req'd)	239-45658-00
8	Sensor Well	233-46558-01
9	Top Outlet Nipple	229-40913-01
10	Power Anode (2 req'd)	224-46075-00
11	T&P Valve	230-33630-04
12	T&P Nipple	229-50053-02
13	Front Outlet Nipple	229-40913-02
14	Control Display Assembly	SEE PAGE 12
15	Cleanout Cover Access	243-20299-00
16	Screw 5/16 - 18 x 1/2 (6 req'd)	239-32970-00
17	Cleanout Cover	205-18428-00
18	Cleanout Gasket	205-18427-00
19	Inlet Diptube	229-53188-00
20	Exhaust Pressure Switch	239-46037-01
21	Pressure Switch Cover	239-80281-03
22	Exhaust Limit Switch	239-43238-03
23	Service Door Right	239-53487-00
24	Exhaust Coupler	239-53384-00
25	Condensate Elbow	239-53041-00
26	Condensate Coupler	239-53385-00
27	Drain Valve	227-48070-02
28	Service Door Left	239-53486-00
29	Burner Assembly (Specify Model)	SEE PAGE 10
30	Control Panel Assembly	SEE PAGE 12
31	Thermostatic Mixing (Optional)	239-51778-00
32	Exhaust/Intake Vent Terminals	239-53455-00



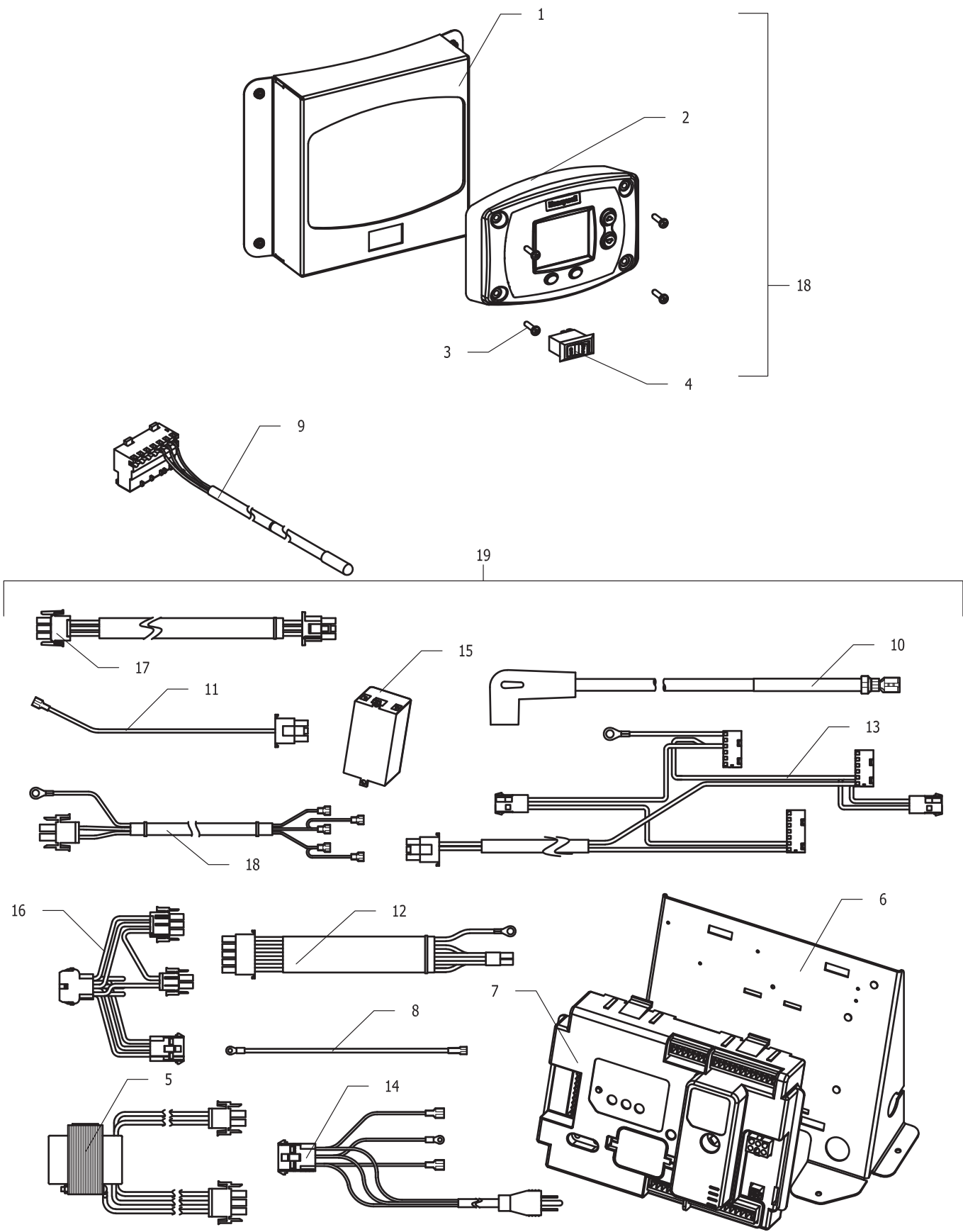
Item	Description	Model
1	Blower w/Gasket	415-53065-00
2	Blower Transition Gasket	239-53444-00
3	Venturi & Gas Valve Assembly	243-53479-01
4	Ground Wire	239-53462-00
5	Screw 5/16-18 x 3/4 (5 Req'd)	239-32970-00
6	Venturi Gasket ◊	239-53064-00
7	Gas Piping assembly*	243-53497-00
8	Transition Tube Blower to Burner	239-53088-00
9	Screw - #8-32 x 1/4 (4 Req'd)	239-43272-00
10	Spark Rod	233-53079-00
11	Gasket Spark Rod	239-43370-00
12	Flame Sensor w/Gasket	415-53438-00
13	Gasket Flame Sensor	239-43371-00
14	Nut Hex Washer 1/4-20 serrated (4 req'd for Trans Tube)	239-43297-00
15	Gasket Burner (2 Req'd)●	239-53304-00
16	Burner w/Gasket	265-53399-00
17	Burner Mounting Assembly	239-53028-00
18	Combustion Assembly Gasket	239-53445-00
19	Burner Assembly *	243-53477-00
20	Blower and Gas Valve Assembly *	243-53481-01
21	Assy-Complete Combustion System*	243-53483-01

* Ordering a complete assembly may increase delivery time. Please order the specific component required for the

◊ Included with Item 1 & 3

● Included with Items 17 & 21

* To be purchased seperatly



Item	Description	Model
1	Display Mount	EF120T5003N 239-50508-00
2	Control Display-Honeywell Integrated Control	415-48231-00
3	Screw-#8-18 X .75 for Control Display (4 req'd)	239-41104-00
4	Main Power Switch	239-50586-00
5	Transformer 120V to 24V	233-50559-00
6	Control Panel	239-50514-00
7	Integrated Control Board	233-53470-00
8	Ground Wire	239-38951-91
9	T-Stat Sensor Harness	239-53458-00
10	High Voltage Spark Cable	239-50887-00
11	Flame Sensor Wire	239-48237-00
12	Blower Modulation Harness	239-48170-00
13	Ignition Control Harness	239-53460-00
14	Power Cord Harness	239-53464-00
15	Power Anode Module	239-46229-00
16	Power Switch Harness	239-53459-00
17	Blower Power Harness	239-53465-00
18	Display Assembly*	243-51213-00
19	Control Assembly*	243-53474-01

* Ordering a complete assembly may increase delivery time. Please order the specific component required for the

NOTES



BRADFORD WHITE®

W A T E R H E A T E R S

Ambler, PA

For U.S. and Canada field service,
contact your professional installer or
local Bradford White sales representative.

Sales/800-523-2931

Technical Support/800-334-3393
Email/techserv@bradfordwhite.com

Warranty/800-531-2111
Email/warranty@bradfordwhite.com

Service Parts/800-538-2020
Email/Parts@bradfordwhite.com

International:
international@bradfordwhite.com



BRADFORD WHITE™

CANADA

Halton Hills, Ontario, Canada

Sales & Technical Support/866-690-0961
905-203-0600

Fax/905-636-0666

Email

Warranty/bwccwarranty@bradfordwhite.com
Technical Support/BWCCTech@bradfordwhite.com
Parts/orders@bradfordwhitecanada.com
Orders/ca.orders@bradfordwhite.com

www.bradfordwhite.com