

# Engineering Specification

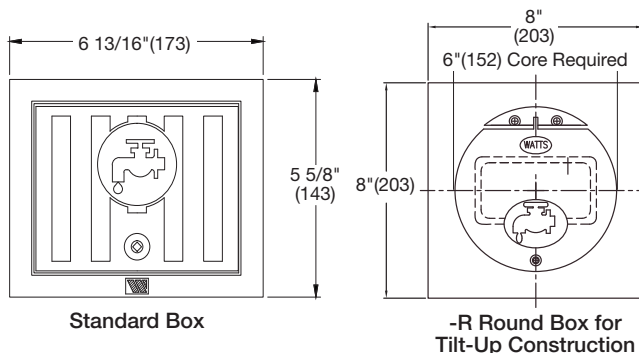
Job Name \_\_\_\_\_  
 Job Location \_\_\_\_\_  
 Engineer \_\_\_\_\_  
 Approval \_\_\_\_\_  
 Tag \_\_\_\_\_

Contractor \_\_\_\_\_  
 Approval \_\_\_\_\_  
 Contractor's P.O. No. \_\_\_\_\_  
 Representative \_\_\_\_\_

## HY-725 Non-Freeze Wall Hydrant with NB Box & Integral Vacuum Breaker

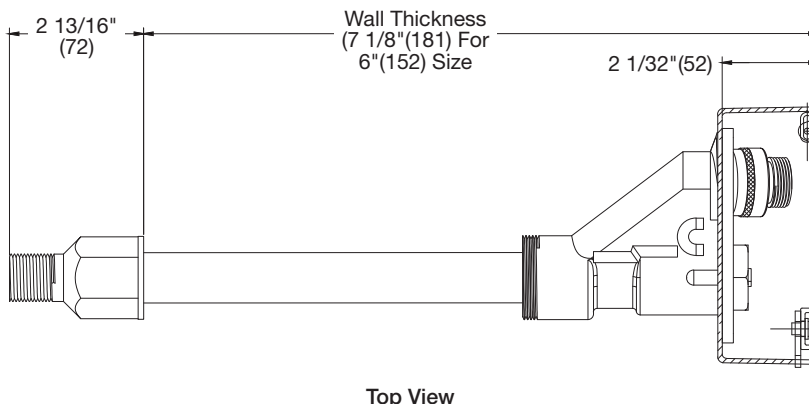
### Specification

Watts HY-725 concealed non-freeze key operated wall hydrant with nickel bronze box and door, chrome plated hydrant face, integral vacuum breaker, 3/4"(19) hose connection, 3/4"(19) female x 1"(25) male pipe connection, all bronze head, seat casting and internal working parts, bronze wall casing, and loose key. Complies with ASME B1.20.7 and ASSE 1019-2004. UPC/IAMPO listed. Max. operating pressure 125 psi.



Wall Thickness		
Suffix	Description	
6	7 1/8"(181) Thick	<input type="checkbox"/>
8	8"(203) Thick	<input type="checkbox"/>
10	10"(254) Thick	<input type="checkbox"/>
12	12"(305) Thick	<input type="checkbox"/>
14	14"(356) Thick	<input type="checkbox"/>
16	16"(406) Thick	<input type="checkbox"/>
18	18"(457) Thick	<input type="checkbox"/>
20	20"(508) Thick	<input type="checkbox"/>
22	22"(559) Thick	<input type="checkbox"/>
24	24"(610) Thick	<input type="checkbox"/>
Other	Specify	<input type="checkbox"/>

Options		
Suffix	Description	
-K	Cylinder Lock	<input type="checkbox"/>
-88	Wall Clamp	<input type="checkbox"/>
-3	Stainless Steel Box	<input type="checkbox"/>
-CIA	Complete Internal Assembly (Repair Kit)	<input type="checkbox"/>
-R	Round Stainless Steel Box	<input type="checkbox"/>



**Recommended Wall Opening:**  
 5 1/4" x 6 1/4"(133 x 158)

**NOTICE**

The information contained herein is not intended to replace the full product installation and safety information available or the experience of a trained product installer. You are required to thoroughly read all installation instructions and product safety information before beginning the installation of this product.

Watts product specifications in U.S. customary units and metric are approximate and are provided for reference only. For precise measurements, please contact Watts Technical Service. Watts reserves the right to change or modify product design, construction, specifications, or materials without prior notice and without incurring any obligation to make such changes and modifications on Watts products previously or subsequently sold.

