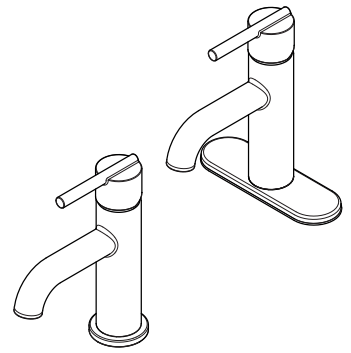


Brislin™ Single Control Lavatory Faucet

- LG42-BIOB Finish(B)
- LG42-BIOC Finish(C)
- LG42-BIOK Finish(K)



- All Metal Construction
- Pforever Seal™
- Push & Seal™ Pop-Up

Specifications

Features

- 1.2 GPM Flow Rate
- 1 or 3-Hole Installation
- Deckplate Not Included, Order Separately 961-188*
- All Metal Construction
- Pfast Connect™
- Push & Seal™ Pop-Up
- TiteSeal™ Technology
- Pforever Seal™ Ceramic Disc Valve
- Limited Lifetime Warranty



Code Compliance

Pfister products are designed and manufactured in compliance with the following standards and codes:

- IAPMO Certified to ASME A112.18.1/CSA B125.1
- EPA WaterSense Certified
- NSF/ANSI/CAN61:Q≤1
- CEC Certified/CALGreen compliant
- ADA Compliant - ANSI A117.1 (Lever Handles Only)



Dimensions

