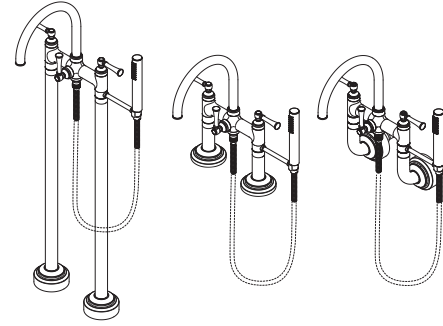


- | | | | | | | | |
|---|---|---|---|---|---|---|---|
| LG6-1TBC Finish(C) <input type="checkbox"/> | LG6-1TBD Finish(D) <input type="checkbox"/> | LG6-1TBK Finish(K) <input type="checkbox"/> | LG6-1TBY Finish(Y) <input type="checkbox"/> | LG6-2TBC Finish(C) <input type="checkbox"/> | LG6-2TBD Finish(D) <input type="checkbox"/> | LG6-2TBK Finish(K) <input type="checkbox"/> | LG6-2TBY Finish(Y) <input type="checkbox"/> |
| LG6-1TBBG Finish(BG) <input type="checkbox"/> | LG6-2TBC Finish(C) <input type="checkbox"/> | LG6-2TBD Finish(D) <input type="checkbox"/> | LG6-2TBK Finish(K) <input type="checkbox"/> | LG6-2TBY Finish(Y) <input type="checkbox"/> | LG6-3TBC Finish(C) <input type="checkbox"/> | LG6-3TBD Finish(D) <input type="checkbox"/> | LG6-3TBK Finish(K) <input type="checkbox"/> |
| LG6-3TBY Finish(Y) <input type="checkbox"/> | LG6-3TBBG Finish(BG) <input type="checkbox"/> | | | | | | |



- All Metal Construction
- High Arc Spout
- Laminar Water Flow

Specifications

Features

- 1.8 GPM Flow Rate (Handheld Shower)
- 60" Metal Hose
- All Metal Construction
- High Arc Spout
- Laminar Water Flow
- Cross Handles Available, HHL-LG6-TB*, Order Separately
- Requires OX6-34OR Valve, Sold Separately (LG6-1TB Only)
- Easy To Clean Nozzles
- Pforever Seal Ceramic Disc Cartridges
- Optional Concrete Mounting Bracket 931-132 Available, Sold Separately (LG6-1TB Only)
- Optional Wall Support 931-133* Available, Order Separately (LG6-1TB Only)
- Pforever Warranty®

Code Compliance

Pfister products are designed and manufactured in compliance with the following standards and codes:

- IAPMO Certified to ASME A112.18.1/CSA B125
- Cal Green Compliant
- CEC Compliant
- EPA WaterSense Certification 1.8 gpm, 6.8 L/Min
- ADA Compliant-ANSI A117.1 (Lever handles only)
- ASME A112.18.3 (Back Flow Prevention)



Dimensions

