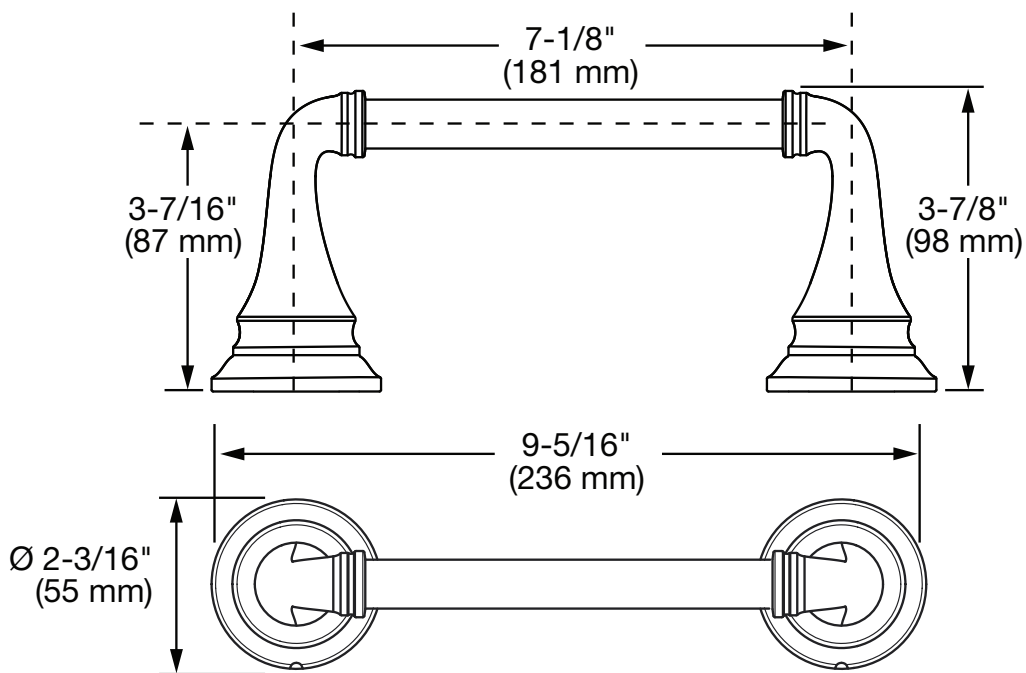


**MODEL NUMBER:**

□ 7052230 - Toilet Paper Holder

**Available Finishes**

002	Polished Chrome
295	Brushed Nickel
013	Polished Nickel
278	Legacy Bronze



**PRODUCT FEATURES:**

**Materials of Construction:** Metal construction for durability & long life.

**Concealed Mounting:** No exposed set screws.

**Easy to Install**

**Easy to Use:** Pivoting arm for easy reload

**SUGGESTED SPECIFICATION**

Toilet Paper Holder shall feature metal construction. Shall feature concealed mounting with no exposed set screws. Toilet Paper Holder shall be American Standard Model # 7052230.\_\_\_\_.