

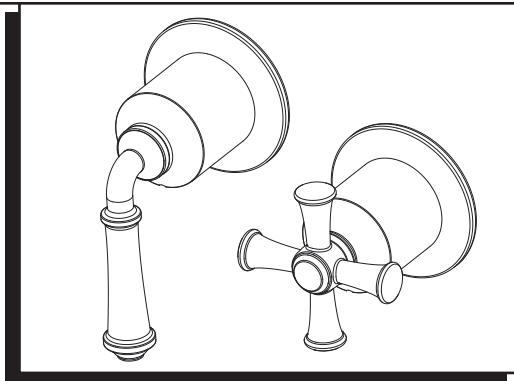
INSTALLATION INSTRUCTIONS

T052430
T052432

Delancey® Diverter Trim Kit

Thank you for selecting American Standard...
the benchmark of fine quality for over 140 years.

To ensure that your installation proceeds smoothly-please
read these instructions carefully before you begin.



Certified to comply with ANSI A112.18.1M

RECOMMENDED TOOLS

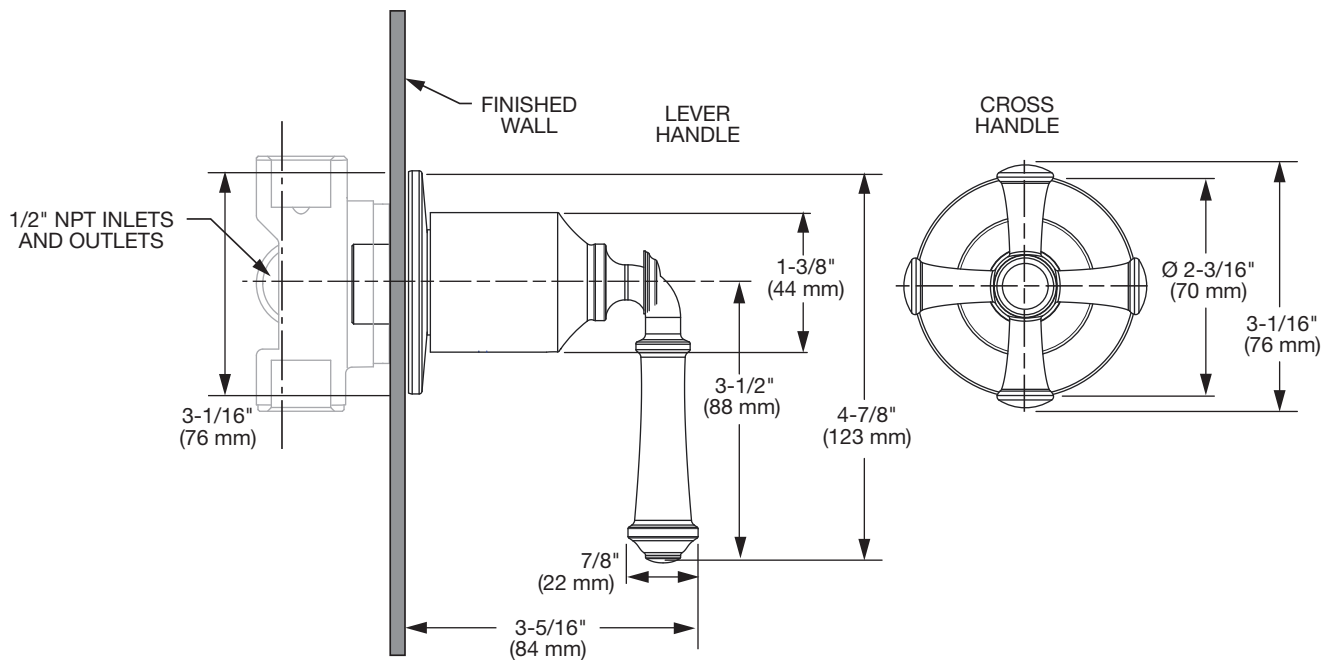


Flat Blade Screwdriver



Phillips Screwdriver

ROUGHING-IN DIMENSIONS



CARE INSTRUCTIONS:

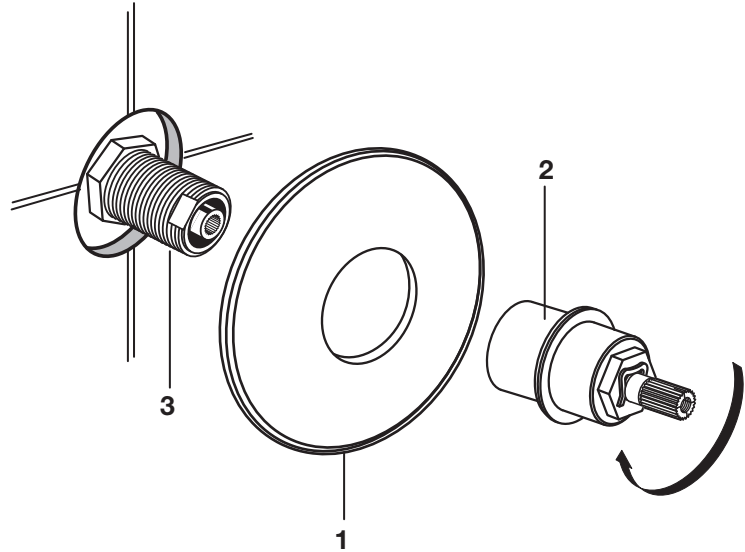
- To keep your new faucet looking new, please follow these simple care instructions:
 - DO:** – Simply rinse the faucet clean with clear water.
 - Dry the faucet with a soft cotton cloth.
 - DO NOT:**
 - Do not use any abrasive cleaners, cloths, or paper towels.
 - Do not use any cleaning agents containing acids, polish abrasives, or harsh cleaners or soaps.
- Regular and routine cleaning will reduce the need for heavy cleaning and polishing. If heavy cleaning is required, the following procedures are recommended:

- Remove as much surface dirt and film using clear water and soft cotton cloth **(as described above)**.
 - Use any of the following to remove tough surface film and build-up:
 - Mild liquid detergents
 - Clear ammonia free liquid glass cleaners
 - Non-acidic, non-abrasive gentle liquid or fully dissolved powder cleansers mixed according to manufacturers directions
 - Non-abrasive liquid polishers
- Once clean, rinse faucet again with clear water to thoroughly remove cleaner or polish and blot dry with a soft cotton cloth.

Failure to follow these care instructions may damage the Faucet's finish.

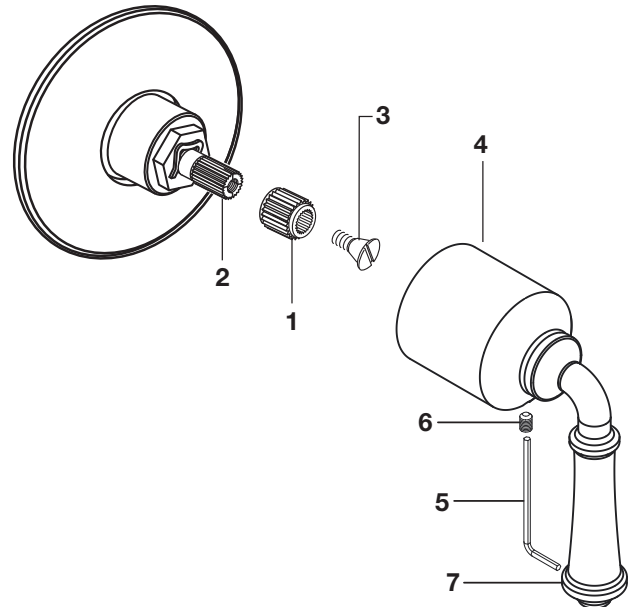
1 TRIM INSTALLATION

- Insert ESCUTCHEON (1) onto ESCUTCHEON HOLDER (2).
- Align ESCUTCHEON (1). Thread ESCUTCHEON HOLDER (2) onto DIVERTER VALVE (3).
- Tighten until ESCUTCHEON (1) is snug against finished wall.



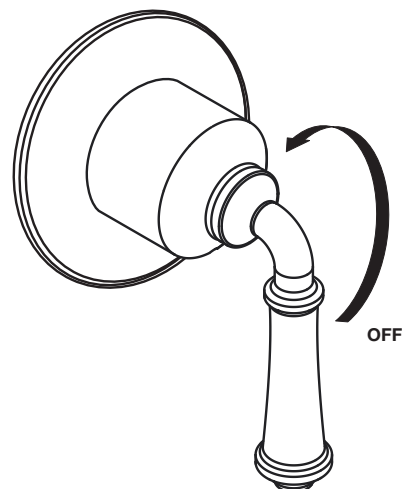
2 HANDLE INSTALLATION

- Install HANDLE ADAPTER (1) onto VALVE STEM (2).
- Install HANDLE SCREW (3) and tighten.
- Push HANDLE BASE (4) onto HANDLE ADAPTER (1).
- Align LEVER HANDLE (7) and push into HANDLE BASE (4).
- Use HEX WRENCH (5) supplied and tighten SET SCREW (6) to secure HANDLE (7).



3 OPERATING THE VALVE

- Turn water supply on and test installed fitting.
- Rotate handle to all diverter positions to check operation of valve.
- Check for leaks.



HOT LINE FOR HELP

For toll-free information and answers to your questions, call:
1 (800) 442-1902
Mon. - Fri. 8:00 a.m. to 8:00 p.m. EST
Saturday 10:00 a.m. to 4:00 p.m. EST
IN CANADA 1-800-387-0369
(TORONTO 1-905-306-1093)
Weekdays 8:00 a.m. to 7:00 p.m. EST
IN MEXICO 01-800-839-1200



PART OF LIXIL