

TRADITIONAL 1/2" STEAM HEAD

OSS - xx

The steam head should be installed 12 inches from the floor, and 6 inches from any corner, inside the shower only, and as far away from the controller and shower fixtures as possible. The steam head requires a 7/8" hole in the shower wall, and the escutcheon must be flush with the finished wall and sealed to the wall to not allow vapor or water behind it. Use 1/2" copper fittings to attach the housing to the steam outlet. See the full steam head housing instructions for full details.

SHIPPING WEIGHT

Weight | 1 lbs.

Length | 8.5 in.

Width | 5 in.

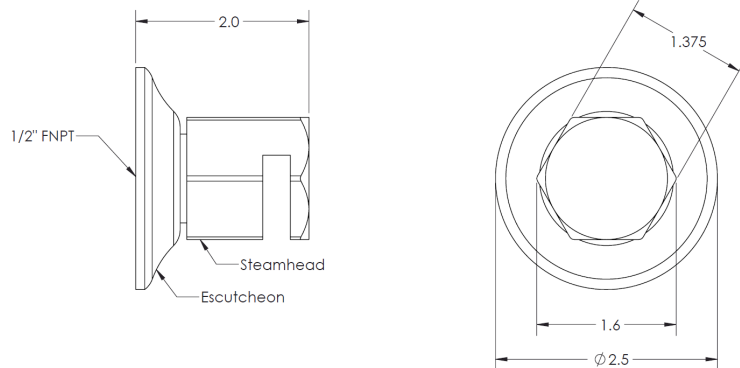
Height | 2.5 in.

FEATURES

- All brass construction
- Available in 15 finishes

SPECIFICATIONS

Steam Head Connection | 1/2" FNPT



INSTALLATION NOTES

- Outlet must be sealed to prevent vapor intrusion into shower walls
- 12" from shower floor and 6" away from any corner
- Install as far away from shower controls and bather