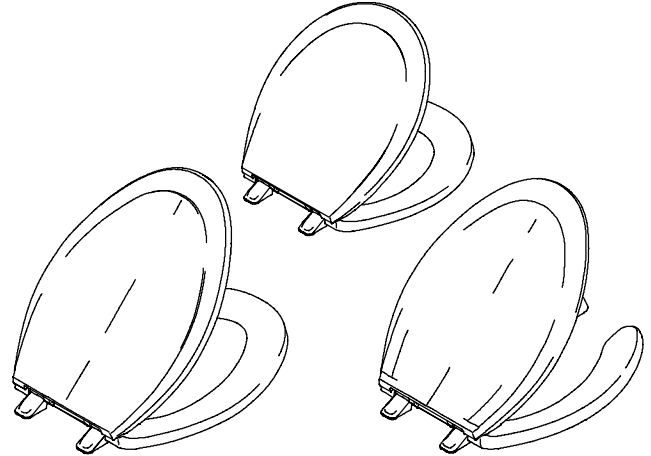


FEATURES

- Elongated or round front
- Solid plastic
- With ergonomically contoured seat
- Closed front or elongated open front

K-4650, K-4652, K-4662



CODES/STANDARDS APPLICABLE

Specified model meets or exceeds the following:

- None applicable

COLORS/FINISHES

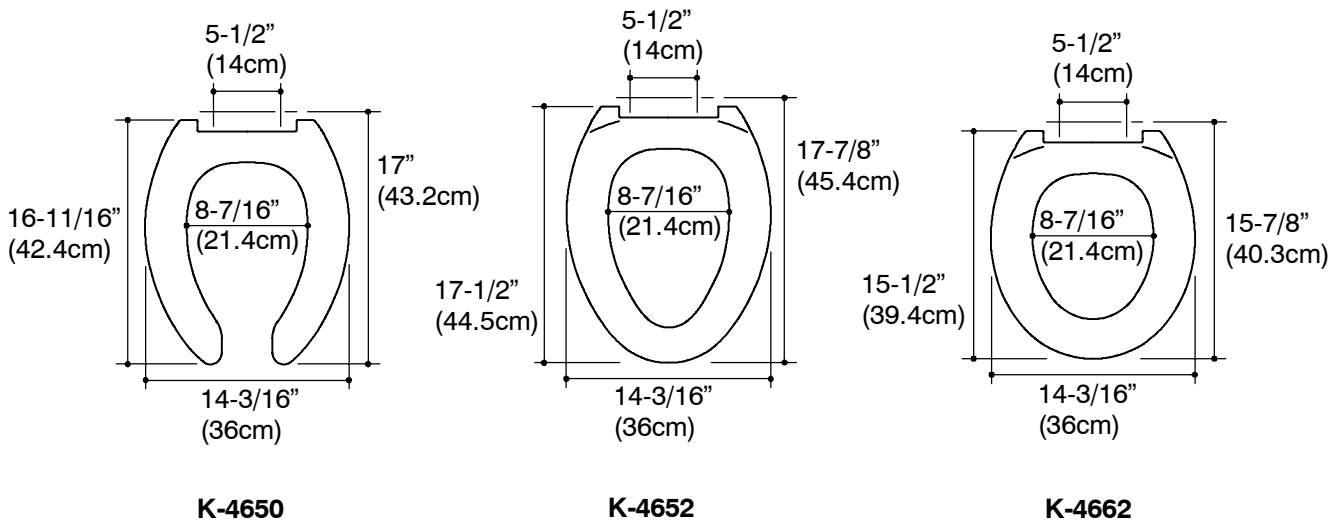
- 0 White
- Other Refer to Fixtures Price Book for additional colors

SPECIFIED MODEL:

| Model | Description | Colors/Finishes | |
|-----------|-----------------------------|----------------------------------|--------------------------------------|
| K-4650-EB | Elongated open front seat | <input type="checkbox"/> 0 White | <input type="checkbox"/> Other _____ |
| K-4652-EB | Elongated closed front seat | <input type="checkbox"/> 0 White | <input type="checkbox"/> Other _____ |
| K-4662-PB | Round closed front seat | <input type="checkbox"/> 0 White | <input type="checkbox"/> Other _____ |

PRODUCT SPECIFICATION:

The toilet seat shall be elongated closed front, round closed front or elongated open front with ergonomically contoured seat. Toilet seat shall be made of solid plastic. Toilet seat shall be Kohler Model K-_____-_____.



PRODUCT DIAGRAM