

## LED Mirror - Installation Instructions

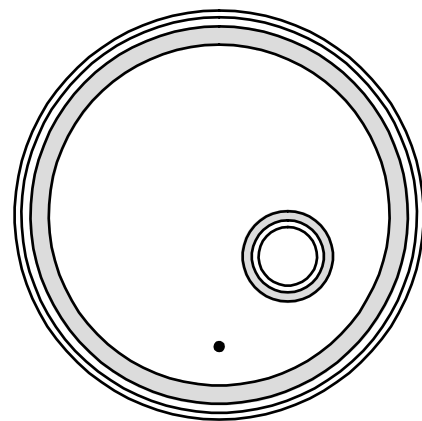
James Martin Vanities always recommends you hire or consult a professional contractor when installing our products

**Note:** This mirror is not intended for outdoor use

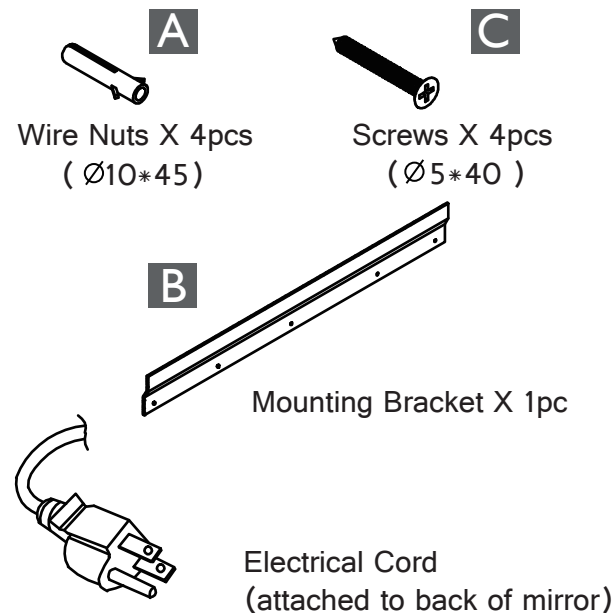
**IMPORTANT:** Please read all instructions prior to beginning the installation of this mirror

- Make sure the installation area is free of clutter.
- Turn off electricity including wall switch's.
- Do not modify wires in anyway
- Always use two or more person when hanging mirrors

### Parts included



Mirror



### FEATURES

- 5mm copper free silver mirror
- High output LED light:1800-1900LM,4000K CCT,IP66
- Touch switch for surface LED

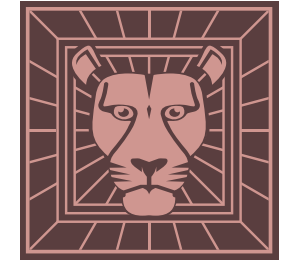
### CODES / CERTIFICATIONS

- UL 2108
- UL 8750



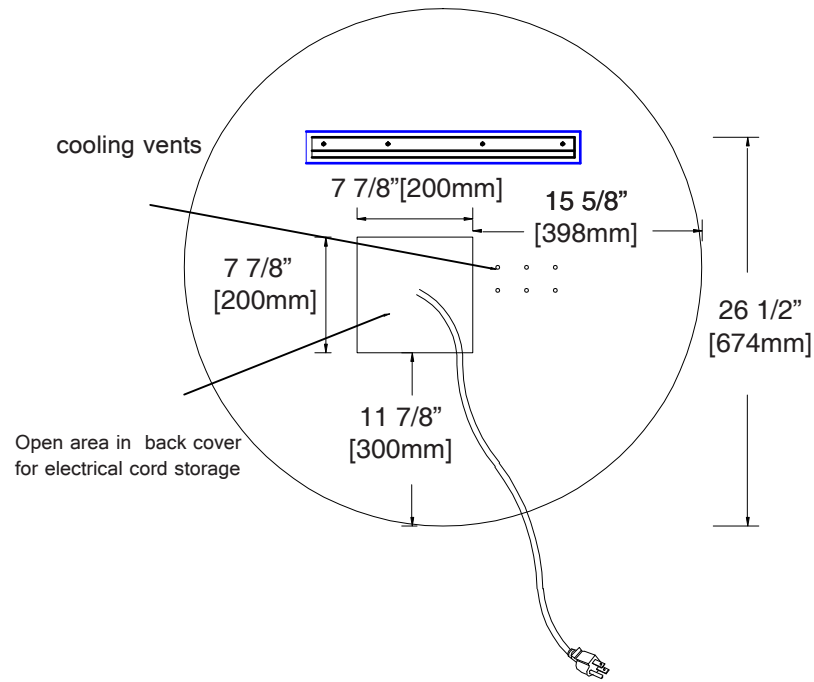
# 943-M36-BNK RADIANCE MIRROR

Mirror Weight: 33 LBS (15 KGS)

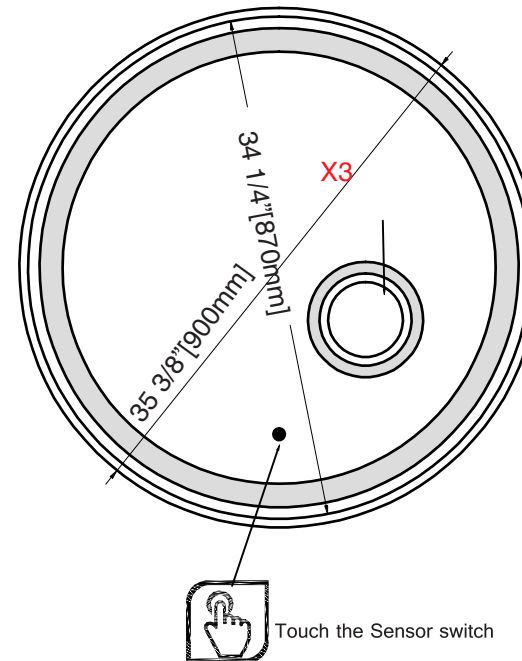


## Pre-Installation Notes

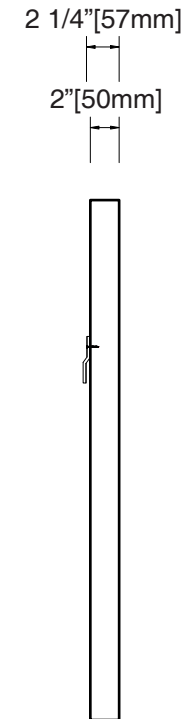
- 120 Vac 60Hz wall outlet location - Required for source power
- Mirror hangs in Portrait orientation
- Includes hardware with easy installation via Plug and Hang System



Back view



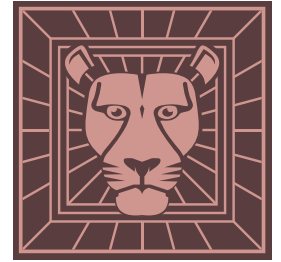
Front view



Side view

# 943-M36-BNK RADIANCE MIRROR

Mirror Weight: 33 LBS (15 KGS)



## Tools required

Screw driver

Drill with 3/8" bit

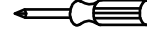
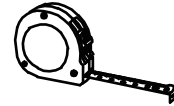
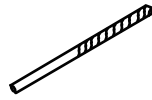
Pencil

Measuring Tape

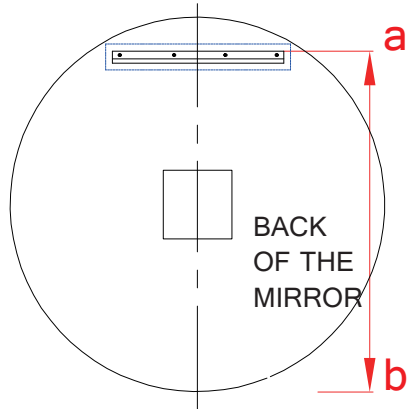
Screw driver

level

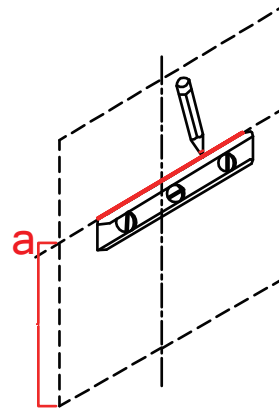
The hammer



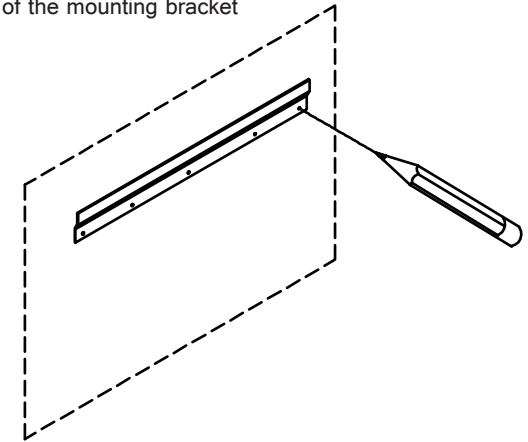
- 1** Measure the distance between the bottom of the mirror and point a.



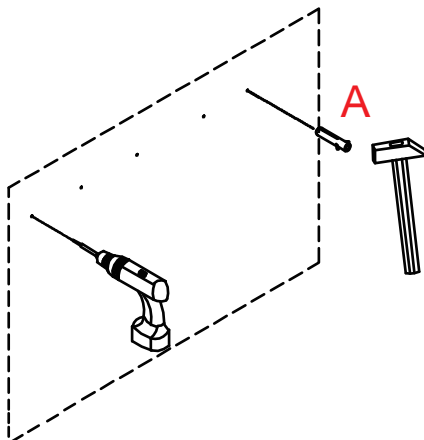
- 2** Draw a horizontal line from the point a using a level



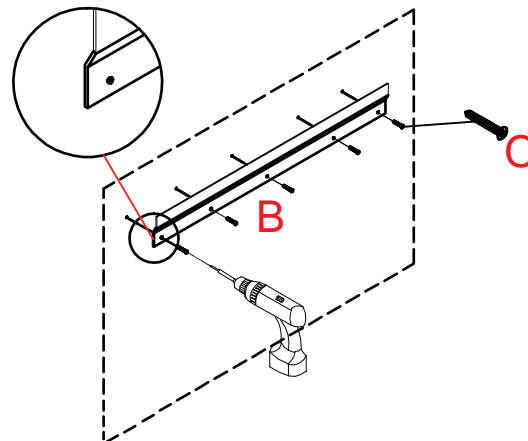
- 3** Draw the points according to the hole of the mounting bracket



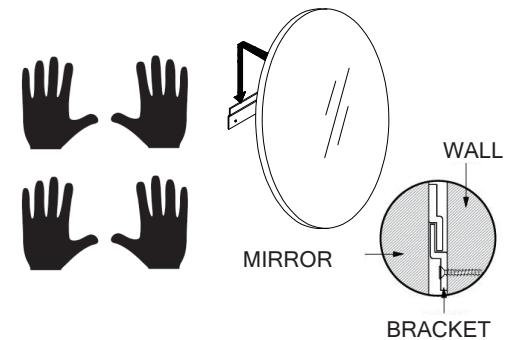
- 4** Drill the holes on the wall and insert the nuts into the holes.



- 5** Attach the mounting bracket to the wall.



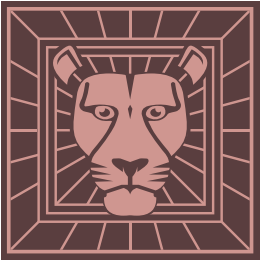
- 6** Hang the mirror on the mounting bracket



**NOTE:** Always use two or more people when hanging mirrors

943-M36-BNK RADIANCE MIRROR

**CAUTIONS**



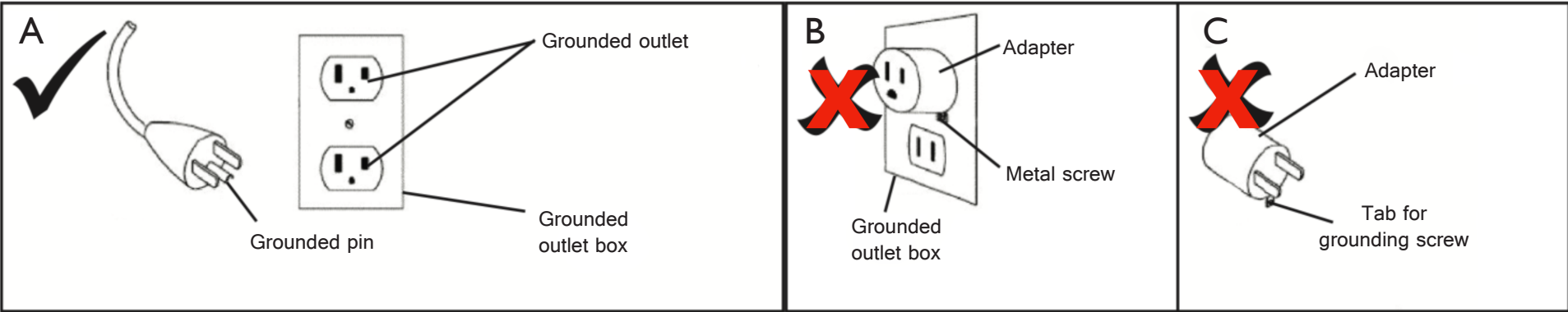
**⚡ DANGER:** Risk of personal injury. To avoid possible electrical shock, the electricity must be turned off at the circuit breaker or fuse box before attempting any installation procedure.

**⚡ DANGER:** Risk of personal injury. To avoid possible electrical shock, the mirror must be properly grounded. Observe all local electrical codes and building codes. Wire the mirror in accordance with the electrical codes.

**Grounding instructions:**

For a grounded, cord-connected product rated max 15 amperes and intended for use on a nominal 12-volt supply circuit: This product is for use on a nominal 120-volt circuit and has a grounding plug that looks like the plug illustrated in sketch A (below). Make sure that the product is connected to an outlet having the same configuration as the plug.

**No adapter should be used with this product as illustrated in sketch B and C.**



943-M36-BNK RADIANCE MIRROR



- Care and Cleaning Instructions for Mirrors

- CLEANER

The best and safest cleaner for a mirror is clean, warm water used with a soft cloth. Be careful not to allow the edges of the mirror to get or remain wet over a period of time. If using a commercial glass or mirror cleaner, be sure to use a standard brand of mirror cleaner that does not contain ammonia or vinegar.

- APPLICATION

Never spray any cleaner directly on to a mirror. Instead apply the cleaner to a soft cloth and then wipe the mirror.

- CLOTHS

Always use soft, grit-free cloths when cleaning a mirror to reduce chances of scratching the surface.

- FINISH

Be sure to dry all joints and edges thoroughly to be certain no commercial cleaner comes in contact with the edge and backing.