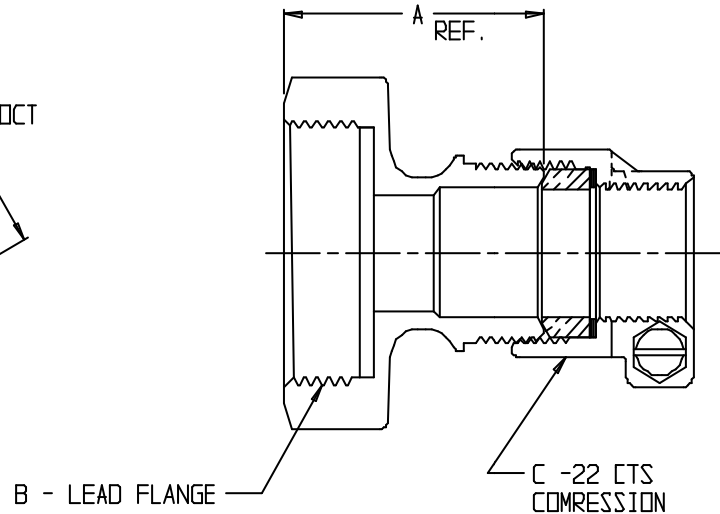
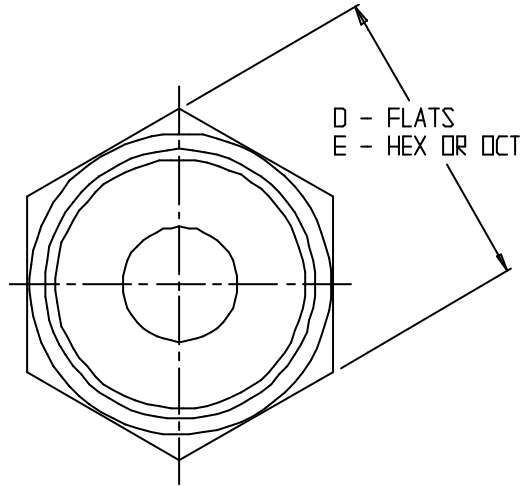
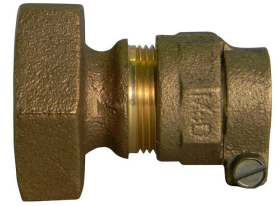


SUBMITTAL DATA SHEET

NL Service Fitting – 74742LF-22

Extra Strong Lead Flange x -22 CTS Compression



MODEL	SIZE	A	B	C	D	E
74742LF-22	5/8x3/4	1.81	5/8	3/4	2.13	HEX
74742LF-22	3/4	1.81	3/4	3/4	2.13	HEX
74742LF-22	1	1.90	1	1	2.44	OCT

SUBMITTAL INFORMATION

- Manufactured in compliance with ANSI/AWWA C800 (latest revision)
- Brass components in contact with potable water conform to ASTM B584, UNS C89833 (latest revision) and identified with "NL"
- Certified to NSF/ANSI 61 and NSF/ANSI 372
- Brass components not in contact with potable water conform to ASTM B62 and ASTM B584, UNS C83600 -85-5-5-5 (latest revision)
- Large wrench flats provided for proper installation
- Insert stiffeners required on all flexible plastic connections



A.Y. McDonald Mfg. Co.
P.O. Box 508
Dubuque, IA 52004-508

Toll Free: 1-800-292-2737

Fax: 1-800-832-9296

Hours: 7:00 a.m. – 5:00 p.m., CST

sales@aymcdonald.com

www.aymcdonald.com

A.Y. McDonald considers the information on this assembly drawing correct when published. Item and option availability, including specifications, are subject to change without notice.

Submitted by: