

BRIZO®

TWO HANDLE WALL MOUNT TUB FILLER

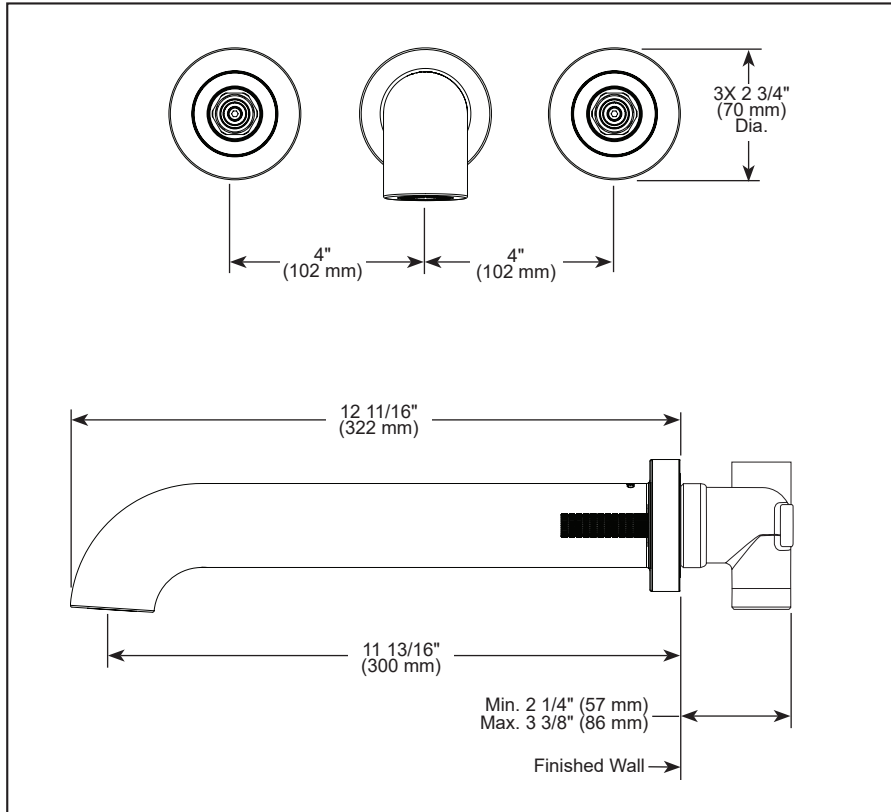
■ Litze® Bath Collection

STANDARD SPECIFICATIONS:

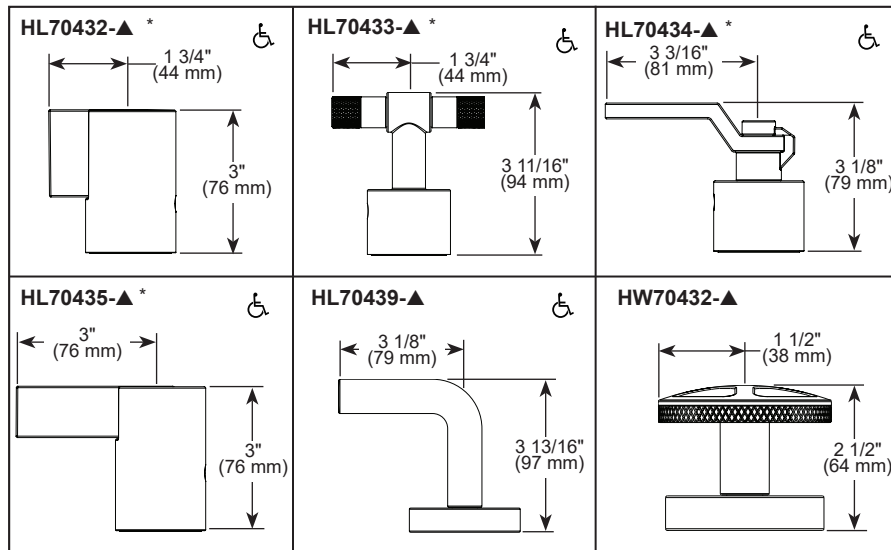
- Maximum 9.3 gpm @ 60 psi, 35.2 L/min @ 414 kPa
- Trim only, rough-in R70400 required for installation
- Three hole mount, 8" center-to-center
- Ceramic hot and cold mixing valves (90° max rotation)
- Optional RP92777 will accommodate up to Max. 4 1/2" depth - extension kit sold separately (except HL70439 and HW740432 handles)
- Solid brass construction
- Drain not included
- Handles sold separately

WARRANTY

- Parts and Finish - Lifetime limited warranty; or for commercial purchasers, 10 years for multi-family residential (apartments and condominiums) and 5 years for all other commercial uses, in each case from the date the product is received by the original purchaser or their authorized representative (installation contractor, etc.).
- Electronic Parts and Batteries (if applicable) - 5 years from the date the product is received by the original purchaser or their authorized representative (installation contractor, etc.); or for commercial purchasers, 1 year from the date the product is received by the original purchaser or their authorized representative (installation contractor, etc.). No warranty is provided on batteries.
- Please go to www.brizo.com for the complete details of our limited warranty.



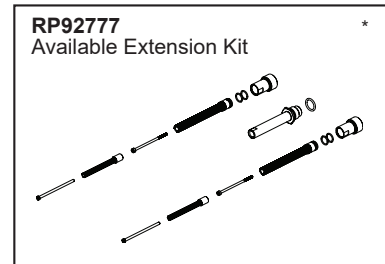
⚠ WARNING: Risk of personal injury. Do not use the tub filler as a grab bar or support bar. Install this product according to the installation guide.



▲ Designate proper finish suffix

COMPLIES WITH:

- ASME A112.18.1 / CSA B125.1
- ♿ ICC/ANSI A117.1



Brizo Kitchen & Bath Company

55 E. 111th Street, Carmel, IN 46280
350 South Edgeware Road, St. Thomas, ON N5P 4L1
© 2024 Brizo Kitchen & Bath Company

Brizo Kitchen & Bath Company reserves the right (1) to make changes in specifications and materials, and (2) to change or discontinue models, both without notice or obligation. Dimensions are for reference only. See current full-line price book or www.brizo.com for finish options and product availability.

BSP-B-T70435-LHP Rev. C