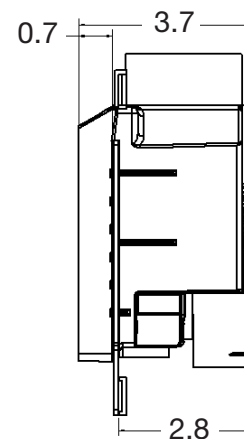
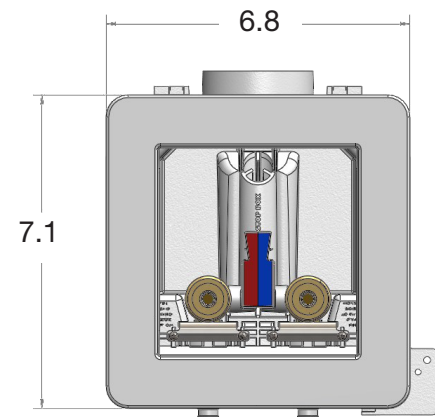
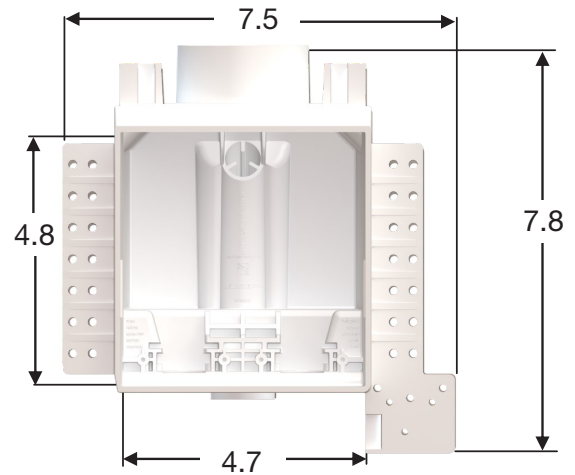


ONE STOP BOX™ ROUGH-IN KIT

Install the all-in-one One Stop Box™ as manufactured by LSP. Boxes sold as single units, additional boxes sold separately.

DESIGN FEATURES

- One Stop Box™ is the smallest single box to offer condensate, drain, and supply all in one box
- One Stop Box™ functions as a Washing Machine Outlet Box, Ice Maker Box or Drain
- Flexible drain and supply stop installation options using two boxes. Unlimited versatility between left, center, right drains, top or bottom supply piping, split in separate stud cavities, or on adjacent walls
- 2 boxes can be mounted side by side in a stud bay to configure to the exact install required
- Ears on box are slotted to allow for mounting with Hyco straps
- Simplex Handle allows for easy on/off of both valves at once. Handle is reversible, designates temperatures in both orientations
- Integrated replaceable valves utilizes reliable triple O-ring seal, no drywall cutting required
- Available faceplate extension is stackable to each additional layer of 5/8" drywall
- Ball valve design with PTFE seats
- Outlet connection options: 3/4" GHT for Washing Machine, 1/4" Compression for Ice Maker
- When drain and valves are in the same box, it's designed to direct leaks into drain and prevent leaking within wall or splashing out front of box
- Fully integrated condensate with flow directors requires no extra pieces. Accommodates 1/2" and 3/4" condensate with the required 1" air gap, including high flow water softeners
- 2" Drain connection with knockout rated up to 40 psi
- Fire rated option has intumescent pad that seals through wall penetration
- Fire Rated boxes are approved for both 1 hour and 2 hour applications with two boxes/stud bay facing the same direction





Legacy of **INNOVATION**

Specialty Products™

Part Number	Description	Part Number	Description
OBOS-110-RK	Drain Box	OBFOS-110-RK	Fire Rated Drain Box
Washing Machine Boxes		Fire Rated Washing Machine Boxes	
OBOS-101-RK	1/2" Male Copper Sweat x 3/4" GHT	OBFOS-101-RK	1/2" Male Copper Sweat x 3/4" GHT
OBOS-102-RK	1/2" Male CPVC x 3/4" GHT	OBFOS-102-RK	1/2" Male CPVC x 3/4" GHT
OBOS-103-RK	1/2" Crimp PEX x 3/4" GHT	OBFOS-103-RK	1/2" Crimp PEX x 3/4" GHT
OBOS-104-RK	1/2" Uponor ProPEX® x 3/4" GHT	OBFOS-104-RK	1/2" Uponor ProPEX® x 3/4" GHT
OBOS-105-RK	1/2" Viega Pex x 3/4" GHT	OBFOS-105-RK	1/2" Viega PEX x 3/4" GHT
OBOS-108-RK	1/2" Rehau PEX x 3/4" GHT	OBFOS-108-RK	1/2" Rehau PEX x 3/4" GHT
Washing Machine Boxes w/Hammer Arrestor		Fire Rated Washing Machine Boxes w/Hammer Arrestor	
OBOS-111-RK	1/2" Male Copper Sweat w/ HA x 3/4" GHT	OBFOS-111-RK	1/2" Male Copper Sweat w/ HA x 3/4" GHT
OBOS-112-RK	1/2" Male CPVC w/ HA x 3/4" GHT	OBFOS-112-RK	1/2" Male CPVC w/ HA x 3/4" GHT
OBOS-113-RK	1/2" Crimp PEX w/ HA x 3/4" GHT	OBFOS-113-RK	1/2" Crimp PEX w/ HA x 3/4" GHT
OBOS-114-RK	1/2" Uponor ProPEX® w/ HA x 3/4" GHT	OBFOS-114-RK	1/2" Uponor ProPEX® w/ HA x 3/4" GHT
OBOS-115-RK	1/2" Viega PEX W/ HA X 3/4" GHT	OBFOS-115-RK	1/2" Viega PEX w/ HA x 3/4" GHT
OBOS-118-RK	1/2" Rehau PEX w/ HA x 3/4" GHT	OBFOS-118-RK	1/2" Rehau PEX w / HA x 3/4" GHT
Ice Maker Boxes		Fire Rated Ice Maker Boxes	
OBOS-201-RK	1/2" Male Copper Sweat x 1/4" Comp.	OBFOS-201-RK	1/2" Male Copper Sweat x 1/4" Comp
OBOS-202-RK	1/2" Male CPVC x 1/4" Comp.	OBFOS-202-RK	1/2" Male CPVC x 1/4" Comp.
OBOS-203-RK	1/2" Crimp PEX x 1/4" Comp.	OBFOS-203-RK	1/2" Crimp PEX x 1/4" Comp.
OBOS-204-RK	1/2" Uponor ProPEX® x 1/4" Comp.	OBFOS-204-RK	1/2" Uponor ProPEX® x 1/4" Comp.
OBOS-205-RK	1/2" Viega Pex x 1/4" Compression	OBFOS-205-RK	1/2" Viega Pex x 1/4" Compression
OBOS-208-RK	1/2" Rehau PEX x 1/4" Comp.	OBFOS-208-RK	1/2" Rehau PEX x 1/4" Comp.
Ice Maker Boxes w/Hammer Arrestor		Fire Rated Ice Maker Boxes w/Hammer Arrestor	
OBOS-211-RK	1/2" Male Copper Sweat w/ HA x 1/4" Comp.	OBFOS-211-RK	1/2" Male Copper Sweat w/ HA x 1/4" Comp.
OBOS-212-RK	1/2" Male CPVC w/ HA x 1/4" Comp.	OBFOS-212-RK	1/2" Male CPVC w/ HA x 1/4" Comp.
OBOS-213-RK	1/2" Crimp PEX w/ HA x 1/4" Comp.	OBFOS-213-RK	1/2" Crimp PEX w/ HA x 1/4" Comp.
OBOS-214-RK*	1/2" Uponor ProPEX® w/ HA x 1/4" Comp.	OBFOS-214-RK*	1/2" Uponor ProPEX® w/ HA x 1/4" Comp.
OBOS-215-RK*	1/2" Viega Pex w/ Hax 1/4" Compression	OBFOS-215-RK*	1/2" Viega PEX w/ HA x 1/4" Comp.
OBOS-218-RK	1/2" Rehau PEX w/ HA x 1/4" Comp.	OBFOS-218-RK	1/2" Rehau PEX w/ HA x 1/4" Comp.
Part Number	Description	*Add "-O" to the end of the part number for 45 degree offset valve outlet.	
OBOS-900	10 pack One Stop Box Faceplate		

OPERATING SPECIFICATIONS

- Temperature: 40-180°F working temperature
- Pressure: 125 PSI max working pressure

CAUTION

- Keep pipe connector away from solvents/cements/primers
- Keep out of sunlight and other heat sources
- Supply line pipe clamps need to be installed a minimum of 6 inches above/below One Stop Box™ inlet connection

Content matter is subject to change at any time. It is the user's responsibility to ensure the most updated revisions are obtained. 08/2021

ROUGH-IN INSTRUCTIONS

1. Fire rated One Stop Boxes™ are to be mounted in 5/8" Type X gypsum wallboard on each side of supporting construction. Minimum one layer wall board for one hour wall rating and minimum two layers for two hour wall rating. Wall studs can be either 20 GA galvanized steel or wood with minimum depth of 3-5/8 inch.
2. Remove faceplate shown before mounting in desired location, by squeezing the sides to disengage the securing tabs and pulling outward from the box opening.
3. Identify the desired outlet location. Attach the supply line to the valve inlet via pipe manufactures recommended practice. (i.e. sweat for copper, solvent cement for CPVC, crimp rings for PEX). If supply line supports or clamps are necessary (as determined by state or local code), we recommend installing them no closer than 6 inches to the box.
4. FireStop™ One Stop Box™ may be installed individually, or with another One Stop Box™ in the Drain Box configuration in the same stud bay in the same direction. One Stop Boxes™ facing opposite directions must be installed in separate stud bays.
5. FireStop™ One Stop Box™ must be mounted with one metal support bracket, secured to the stud by at least 2 screws and passed through the ears on one side of the box. Suggest using LSP's metal Hyco strap P-1078-18 or P-1078-26 . PEX piping should be installed before attaching strapping to wall. Standard One Stop Box™ may be installed in all desired configurations with or without metal strapping.
6. The FireStop™ One Stop Box™ is shipped in the "Off" position. Once the box is securely attached to the wall and the supply line is properly attached no further work is necessary during the rough-in phase.
7. Adjust reversible simplex handle to correspond to the correct hot and cold piping installation.
8. For drain pipe, solvent cement pipe to bottom of box.
9. If condensate is to be used, solvent cement condensate pipe into top of box being sure to have water tight seal with box.

VALVE REPLACEMENT INSTRUCTIONS

1. Shut off water supply to building, and rotate valve handles to "off" position.
2. Use Philips screwdriver to remove screws from metal clips on valve shoulders, and remove clips.
3. Remove current valve and replace with a new one.
4. Secure the valve clips back into place with the screws.

ACCESSORIES

Part Number	Description
P-00403	One Stop Box™ Faceplate
OBOS-900	Faceplates for Rough in Kits (10 pk)
P-00404	One Stop Box™ Faceplate Extension
P-00405	One Stop Box™ Simplex Handle
P-00408	One Stop Box™ Condensate Cap
P-00411	Condensate Funnel
P-09050-L	One Stop Box™ WM Valve Left Handle
P-09050-R	One Stop Box™ WM Valve Right Handle
P-09150-L	One Stop Box™ WM HA Valve Left Handle
P-09150-R	One Stop Box™ WM HA Valve Right Handle
P-09850	One Stop Box™ IM Valve
P-09950	One Stop Box™ IM HA Valve
P-06450	Gas Valve 1/2" MIP x 1/2" FIP
P-06452	Gas Valve 1/2" for CSST
P-1078-18	Hyco Strap 18"
P-1078-26	Hyco Strap 26"

TRIM INSTRUCTIONS

1. After test, place screwdriver in detent on test cap and press in to break away test cap and peel out.
2. Secure hoses to valves following hose manufacturer's instructions.
DO NOT OVERTIGHTEN.
3. Install face plate by pushing plate into box until plate is flush against the wall material.

Content matter is subject to change at any time. It is the user's responsibility to ensure the most updated revisions are obtained. 08/2021

IMPORTANT NOTICE FOR HIGH HUMIDITY AREAS

When connecting an air conditioning condensate drain line to a One Stop Washing Machine or Drain box in the shaded area below or other high humidity region, you need to install a One Stop Box Splash Guard (Item P-00411, sold separately) on the box in order to control the higher levels of condensate that can be generated by HVAC units in those areas.



COMPLIANCES/LISTINGS

- IAPMO listed to ASME A112.18.1/CSA B125.1, file # number 4577
- Ice Maker IAPMO listed to ANSI/NSF 61, file # N-6614
- Ice Maker IAPMO listed to Lead Free Plumbing Law, file # 6545
- Hammer Arrester Valves IAPMO listed to ASSE 1010-2004, file # 4541
- Fire Rated versions listed through Intertek to ASTM E814-2011a & CANULC S115-2011. 1hr and 2hr rated.



Product Submittal	
Job Name:	Date:
Part Number:	Quantity:
Architect:	
Contractor:	

Content matter is subject to change at any time. It is the user's responsibility to ensure the most updated revisions are obtained. 08/2021