



A CSW Industrials Company

# PRODUCT DATA SHEET

## DURA G-O-N™ High Impact Polymer Glue On Nozzle

### Description

The Dura G-O-N downspout nozzle is marine-grade ASA polymer construction, with a bonded, threaded, and sealed PVC insert, allowing the nozzle to glue directly onto PVC pipe. The escutcheon is furnished with a security ring. Dura G-O-N provides an easier installation of downspouts and eliminates the need for coordinating additional site work with masonry or stucco crews.



### Applications

Utilize Dura G-O-N for efficient and simplified wall drainage installations. The PVC insert is designed for quick gluing, streamlining the process. Constructed from durable, colorfast, high-impact, marine-grade polymer, ensuring a lasting, professional appearance.

### Features | Benefits

- Durable, colorfast, high-impact, marine-grade ASA polymer
- 10x the weathering resistance of ABS
- Timeless style with the look of oil-rubbed bronze
- Installs directly onto PVC drain pipe
- Sizes from 2" to 12"
- Optional bird screen
- Professional on-site finish
- Anti-theft escutcheon

### Packaging

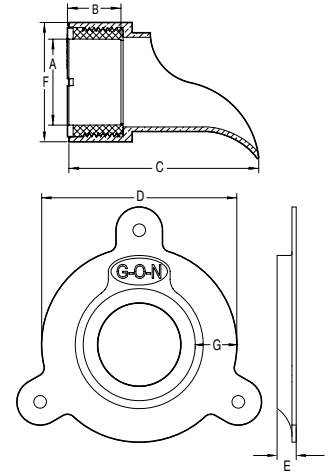
Code	Size	Qty. per Case	Lbs. per Case	Cubic Feet
82763	3" Nozzle & Escutcheon	1	1.25	0.22
82764	4" Nozzle & Escutcheon	1	2	0.28
82766	6" Nozzle & Escutcheon	1	2.30	0.42

# DURA G-O-N™

## High Impact Polymer Glue On Nozzle

### Specifications

G-O-N	Appox. weight in lbs.	A Inside dia.	B Hub depth	C Nozzle depth	D Escutcheon width	E Escutcheon depth	F Overall dimension	G Escutcheon width
2"	3	2.39"	1.5"	5.25"	5.8"	.50"	3.25"	1.25"
3"	5	3.52"	1.5"	5.37"	7.00"	.57"	4.50"	1.25"
4"	7	4.52"	1.5"	5.37"	8.1"	.57"	5.50"	1.25"
6"	10	6.65"	1.5"	5.62"	10.3"	.57"	7.50"	1.25"
8"	13	8.65"	1.5"	5.62"	12.4"	.57"	10.00"	1.25"
10"	21	10.78"	2.5"	6.50"	14.6"	.57"	12.00"	1.25"
12"	26	12.78"	2.5"	7.50"	16.6"	.50"	14.00"	1.25"



**WARNING:** This product can expose you to chemicals including Acrylonitrile, which is known to the State of California to cause cancer. For more information, go to [www.P65Warnings.ca.gov](http://www.P65Warnings.ca.gov)

### Limited Warranty



For more information on our product warranty, visit [rectorseal.com](http://rectorseal.com).

Manufactured by

**RectorSeal® LLC**

**2601 Spenwick Drive • Houston, TX 77055, USA • 800-231-3345 • Fax 800-441-0051 • [rectorseal.com](http://rectorseal.com)**

**3255 Wyandotte St. East • Windsor, ON N8Y 1E9, Canada • 519-966-4901**

A CSW Industrials Company. RectorSeal, the logos and other trademarks are property of RectorSeal, LLC, its affiliates or its licensor's and are protected by copyright, trademark and other intellectual property laws, and may not be used without permission. RectorSeal reserves the right to change specifications without prior notice. ©2024 RectorSeal. All rights reserved. R50062-0324