

INSTALLATION INSTRUCTIONS

American Standard

DRAIN KIT

Model: 1582.000.YYY FOR FREESTANDING TUB 2691, 2692

Model: 1582.200.YYY FOR FREESTANDING TUB 2549

Thank you for selecting American Standard...the benchmark of fine quality for over 100 years. To ensure that your installation proceeds smoothly--please read these instructions carefully before you begin.

BEFORE YOU BEGIN....

Local building codes vary by location. Observe all local plumbing and building codes.

Your new bath is shipped to you after careful inspection.

To insure maximum performance and pleasure from this product, please follow the instructions and cautions.

▲ NOTE: Take extra care in handling surfaces of the bath. Use only non-abrasive cloths to avoid scratching.

TOOLS & MATERIALS MAY BE REQUIRED

TOOLS:

- Level
- Square
- Tape Measure
- Pipe Wrench
- Slip Joint Pliers
- Personal Safety Equipment
- Caulking Gun

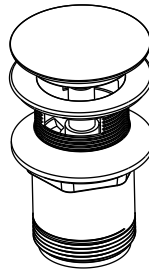
MATERIALS:

- Silicone Caulking
- Tub & Tile Caulk

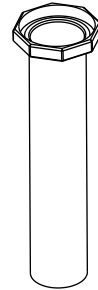
KIT INCLUDES:



OVERFLOW COVER
(NOT INCLUDED WITH 1582.200)



DRAIN



8" (203mm)
EXTENSION TAILPIECE

- 1** Snap "Overflow" cover into overflow of tub. Ensure it is securely in place. (See Fig. 1)

NOTE: Skip this step for kit 1582.200



Fig. 1

OVERFLOW COVER

- 2** Install drain as shown in Fig. 2.

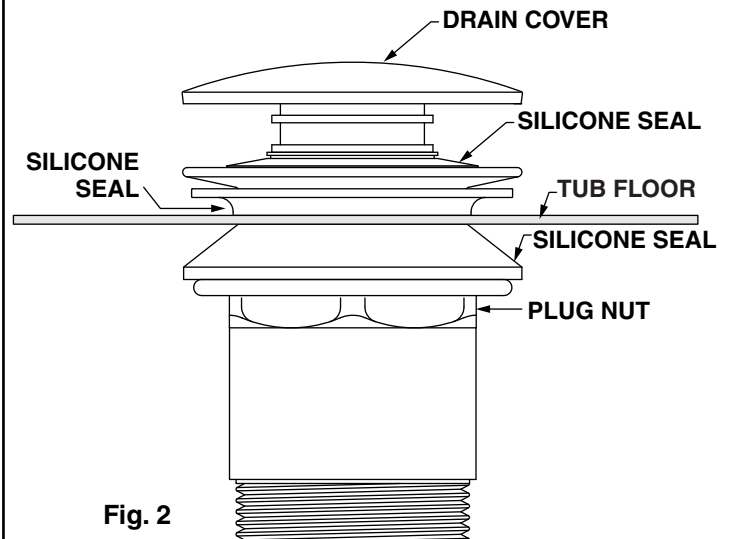


Fig. 2

SAVE FOR FUTURE USE



3 Tighten drain nut using a pipe wrench and plug wrench. Make sure all of the silicone seals are in the proper location (as shown in Fig. 2) and there is no water leaking.

4 **INSTALLING THE 1-1/2" DIAMETER TAIL PIECE ASSEMBLY INTO P-TRAP**

A slip-joint nut and a flanged, 1-1/2" diameter tail piece are recommended. (See Fig. 3)

Slide the slip-joint nut over tail piece towards the flanged end as shown.

Slide the P-trap slip-joint nut and seal over the tail piece as shown.

Insert the tail piece into the P-trap.

The flange of the tail piece should be approximately 2" (51mm) above the finished floor when fully inserted to the P-trap.

The tail piece can be cut if necessary.

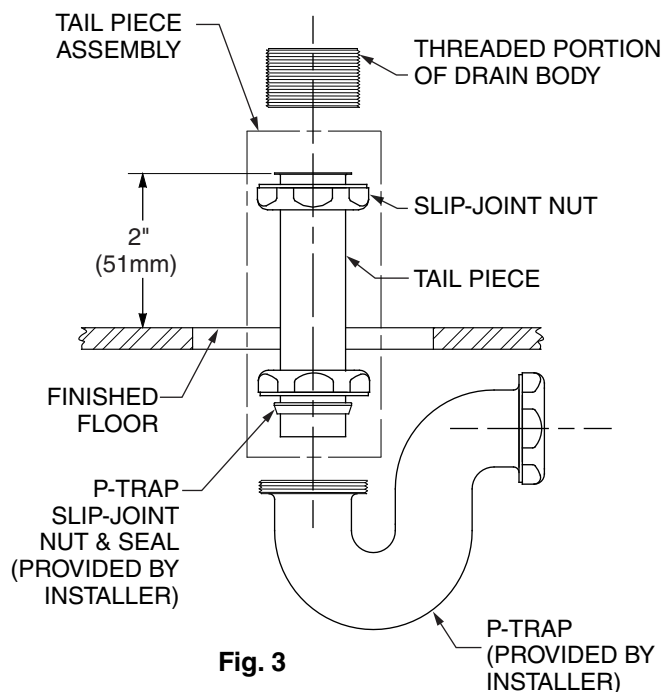


Fig. 3

5 Install the tub by following the instructions included with the tub.

In the United States:
American Standard Brands
1 Centennial Ave.
Piscataway, New Jersey 08854
Attention: Director of Customer Care

For residents of the United States, warranty information may also be obtained by calling the following toll free number: (800) 442-1902

www.americanstandard.com

In Canada:
AS Canada, ULC
5900 Avebury Rd.
Mississauga, Ontario
Canada L5R 3M3

Toll Free: (800) 387-0369

www.americanstandard.ca

In Mexico:
American Standard B&K Mexico
S. de R.L. de C.V.
Via Morelos #330
Col. Santa Clara
Ecatepec 55540 Edo. Mexico

Toll Free: 01-800-839-1200

www.americanstandard.com.mx