

# SPECIFICATIONS

## FIGURE 7020P CLAMP



### MEDIUM SPLIT HORIZONTAL PIPE CLAMP

#### FEATURES

- Material: Carbon steel, ASTM A36
- Finish: Plain
- Color: Black
- Approvals: MSS-SP-69 & SP-58 Type 4
- Federal Specifications: WW-H-171-E Type 4
- FM Approved



#### REFERENCE CHART

Item #	Pipe Size		Bolt Size		For Service Temp.	
	in.	mm	in.	mm	650°F (343°C)	750°F (399°C)
					lbs (N)	lbs (N)
FNW7020P0050	1/2	DN15	3/8	M10	500 (2230)	445 (1980)
FNW7020P0075	3/4	DN20	3/8	M10	500 (2230)	445 (1980)
FNW7020P0100	1	DN25	3/8	M10	500 (2230)	445 (1980)
FNW7020P0125	1-1/4	DN32	3/8	M10	500 (2230)	445 (1980)
FNW7020P0150	1-1/2	DN40	3/8	M10	800 (3560)	715 (3180)
FNW7020P0200	2	DN50	3/8	M10	1040 (4630)	930 (4140)
FNW7020P0250	2-1/2	DN65	3/8	M10	1040 (4630)	930 (4140)
FNW7020P0300	3	DN80	3/8	M10	1040 (4630)	930 (4140)
FNW7020P0400	4	DN100	3/8	M10	1040 (4630)	930 (4140)
FNW7020P0500	5	DN125	1/2	M12	1040 (4630)	930 (4140)
FNW7020P0600	6	DN150	1/2	M12	1615 (7190)	1440 (6410)
FNW7020P0800	8	DN200	5/8	M16	1615 (7190)	1440 (6410)
FNW7020P1000	10	DN250	5/8	M16	2490 (11080)	2220 (9880)
FNW7020P1200	12	DN300	5/8	M16	2490 (11080)	2220 (9880)

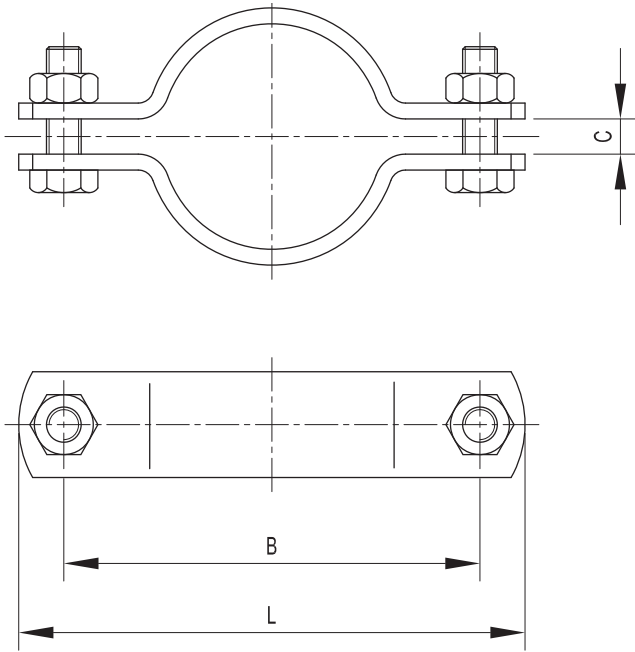
# SPECIFICATIONS

## FIGURE 7020P CLAMP



### MEDIUM SPLIT HORIZONTAL PIPE CLAMP

#### PARTS BREAKDOWN



**Note:** The C gap dimension ensures adequate clearance at the top attachment point for a weldless eye nut or other appropriate rod attachment. This gap may or may not be present on the bottom portion of the clamp.

#### DIMENSIONS

Item #	Pipe Size		L		B		C	
	in.	mm	in.	mm	in.	mm	in.	mm
FNW7020P0050	1/2	DN15	3.7	94	2.52	64	3/8	10
FNW7020P0075	3/4	DN20	4.06	103	2.87	73	3/8	10
FNW7020P0100	1	DN25	4.29	109	3.11	79	3/8	10
FNW7020P0125	1-1/4	DN32	4.69	119	3.5	89	3/8	10
FNW7020P0150	1-1/2	DN40	5.04	128	3.86	98	3/8	10
FNW7020P0200	2	DN50	5.43	138	4.25	108	3/8	10
FNW7020P0250	2-1/2	DN65	5.98	152	4.8	122	1/2	13
FNW7020P0300	3	DN80	6.69	170	5.51	140	1/2	13
FNW7020P0400	4	DN100	8.43	214	7.01	178	1/2	13
FNW7020P0500	5	DN125	9.41	239	7.99	203	1/2	13
FNW7020P0600	6	DN150	10.43	265	9.02	229	1/2	13
FNW7020P0800	8	DN200	13.74	349	12.01	305	5/8	16
FNW7020P1000	10	DN250	15.47	393	13.74	349	5/8	16
FNW7020P1200	12	DN300	17.72	450	15.98	406	5/8	16