

## SPECIFICATIONS

# FIGURE 7020Z CLAMP



## MEDIUM SPLIT HORIZONTAL PIPE CLAMP

### FEATURES

- UL/ULC Approved: Sizes 1/2" through 12"
- Material: Carbon steel, ASTM A36
- Finish: Zinc plated
- Color: Zinc
- Approvals: MSS-SP-69 & SP-58 Type 4
- Federal Specifications: WW-H-171-E Type 4
- FM Approved



### REFERENCE CHART

| Item #       | Pipe Size |       | Bolt Size |     | For Service Temp. |               |
|--------------|-----------|-------|-----------|-----|-------------------|---------------|
|              | in.       | mm    | in.       | mm  | 650°F (343°C)     | 750°F (399°C) |
|              |           |       |           |     | lbs (N)           | lbs (N)       |
| FNW7020Z0050 | 1/2       | DN15  | 3/8       | M10 | 500 (2230)        | 445 (1980)    |
| FNW7020Z0075 | 3/4       | DN20  | 3/8       | M10 | 500 (2230)        | 445 (1980)    |
| FNW7020Z0100 | 1         | DN25  | 3/8       | M10 | 500 (2230)        | 445 (1980)    |
| FNW7020Z0125 | 1-1/4     | DN32  | 3/8       | M10 | 500 (2230)        | 445 (1980)    |
| FNW7020Z0150 | 1-1/2     | DN40  | 3/8       | M10 | 800 (3560)        | 715 (3180)    |
| FNW7020Z0200 | 2         | DN50  | 3/8       | M10 | 1040 (4630)       | 930 (4140)    |
| FNW7020Z0250 | 2-1/2     | DN65  | 3/8       | M10 | 1040 (4630)       | 930 (4140)    |
| FNW7020Z0300 | 3         | DN80  | 3/8       | M10 | 1040 (4630)       | 930 (4140)    |
| FNW7020Z0400 | 4         | DN100 | 3/8       | M10 | 1040 (4630)       | 930 (4140)    |
| FNW7020Z0500 | 5         | DN125 | 1/2       | M12 | 1040 (4630)       | 930 (4140)    |
| FNW7020Z0600 | 6         | DN150 | 1/2       | M12 | 1615 (7190)       | 1440 (6410)   |
| FNW7020Z0800 | 8         | DN200 | 5/8       | M16 | 1615 (7190)       | 1440 (6410)   |
| FNW7020Z1000 | 10        | DN250 | 5/8       | M16 | 2490 (11080)      | 2220 (9880)   |
| FNW7020Z1200 | 12        | DN300 | 5/8       | M16 | 2490 (11080)      | 2220 (9880)   |

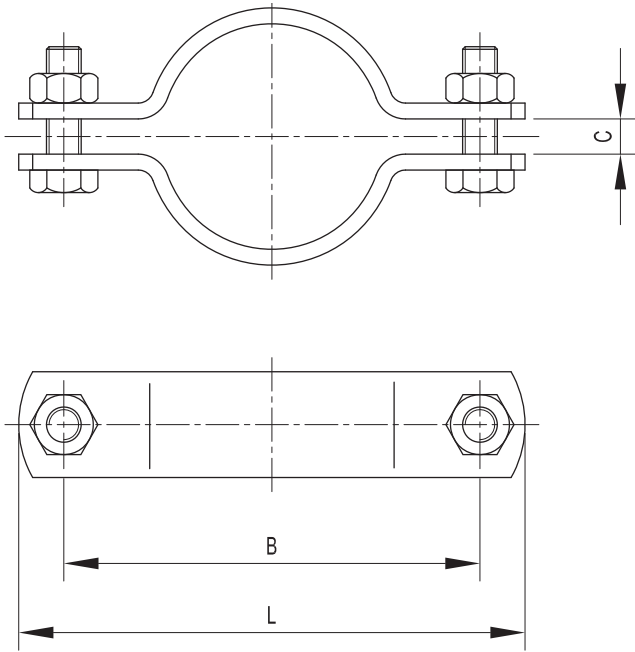
# SPECIFICATIONS

## FIGURE 7020Z CLAMP



### MEDIUM SPLIT HORIZONTAL PIPE CLAMP

#### PARTS BREAKDOWN



**Note:** The C gap dimension ensures adequate clearance at the top attachment point for a weldless eye nut or other appropriate rod attachment. This gap may or may not be present on the bottom portion of the clamp.

#### DIMENSIONS

| Item #       | Pipe Size |       | L     |     | B     |     | C   |    |
|--------------|-----------|-------|-------|-----|-------|-----|-----|----|
|              | in.       | mm    | in.   | mm  | in.   | mm  | in. | mm |
| FNW7020Z0050 | 1/2       | DN15  | 3.7   | 94  | 2.52  | 64  | 3/8 | 10 |
| FNW7020Z0075 | 3/4       | DN20  | 4.06  | 103 | 2.87  | 73  | 3/8 | 10 |
| FNW7020Z0100 | 1         | DN25  | 4.29  | 109 | 3.11  | 79  | 3/8 | 10 |
| FNW7020Z0125 | 1-1/4     | DN32  | 4.69  | 119 | 3.5   | 89  | 3/8 | 10 |
| FNW7020Z0150 | 1-1/2     | DN40  | 5.04  | 128 | 3.86  | 98  | 3/8 | 10 |
| FNW7020Z0200 | 2         | DN50  | 5.43  | 138 | 4.25  | 108 | 3/8 | 10 |
| FNW7020Z0250 | 2-1/2     | DN65  | 5.98  | 152 | 4.8   | 122 | 1/2 | 13 |
| FNW7020Z0300 | 3         | DN80  | 6.69  | 170 | 5.51  | 140 | 1/2 | 13 |
| FNW7020Z0400 | 4         | DN100 | 8.43  | 214 | 7.01  | 178 | 1/2 | 13 |
| FNW7020Z0500 | 5         | DN125 | 9.41  | 239 | 7.99  | 203 | 1/2 | 13 |
| FNW7020Z0600 | 6         | DN150 | 10.43 | 265 | 9.02  | 229 | 1/2 | 13 |
| FNW7020Z0800 | 8         | DN200 | 13.74 | 349 | 12.01 | 305 | 5/8 | 16 |
| FNW7020Z1000 | 10        | DN250 | 15.47 | 393 | 13.74 | 349 | 5/8 | 16 |
| FNW7020Z1200 | 12        | DN300 | 17.72 | 450 | 15.98 | 406 | 5/8 | 16 |