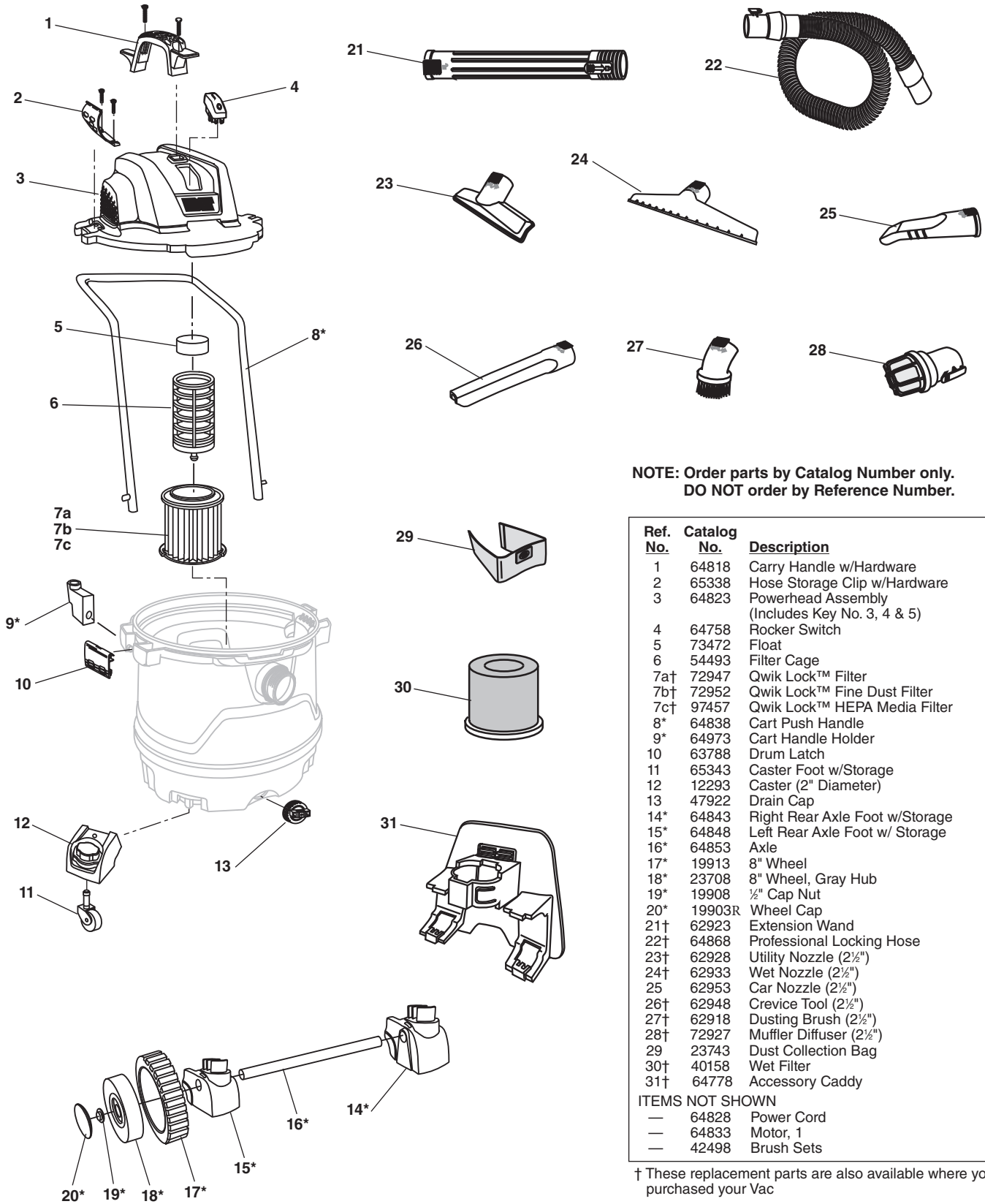


14 GALLON NXT WET/DRY VAC



NOTE: Order parts by Catalog Number only. DO NOT order by Reference Number.

Ref. No.	Catalog No.	Description
1	64818	Carry Handle w/Hardware
2	65338	Hose Storage Clip w/Hardware
3	64823	Powerhead Assembly (Includes Key No. 3, 4 & 5)
4	64758	Rocker Switch
5	73472	Float
6	54493	Filter Cage
7a†	72947	Qwik Lock™ Filter
7b†	72952	Qwik Lock™ Fine Dust Filter
7c†	97457	Qwik Lock™ HEPA Media Filter
8*	64838	Cart Push Handle
9*	64973	Cart Handle Holder
10	63788	Drum Latch
11	65343	Caster Foot w/Storage
12	12293	Caster (2" Diameter)
13	47922	Drain Cap
14*	64843	Right Rear Axle Foot w/Storage
15*	64848	Left Rear Axle Foot w/ Storage
16*	64853	Axle
17*	19913	8" Wheel
18*	23708	8" Wheel, Gray Hub
19*	19908	½" Cap Nut
20*	19903R	Wheel Cap
21†	62923	Extension Wand
22†	64868	Professional Locking Hose
23†	62928	Utility Nozzle (2½")
24†	62933	Wet Nozzle (2½")
25	62953	Car Nozzle (2½")
26†	62948	Crevice Tool (2½")
27†	62918	Dusting Brush (2½")
28†	72927	Muffler Diffuser (2½")
29	23743	Dust Collection Bag
30†	40158	Wet Filter
31†	64778	Accessory Caddy
ITEMS NOT SHOWN		
—	64828	Power Cord
—	64833	Motor, 1
—	42498	Brush Sets

† These replacement parts are also available where you purchased your Vac

* Repair part for RT14000 (Cat. # 62718)