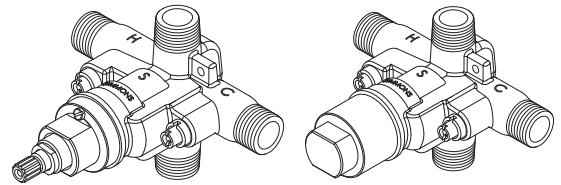




SYMMONS® Temptrol®

the smart choice™



262XBODY

162XBODY

PRESSURE BALANCING TUB/SHOWER VALVE BODY SPECIFICATION SUBMITTAL

MODEL NUMBERS

- 262XBODY**
Pressure Balancing tub/shower valve body with service stops
- 162XBODY**
Pressure Balancing tub/shower valve body with pressure testing cap and service stops

FEATURE HIGHLIGHTS

- Brass, bronze and stainless steel construction
- Pressure balancing mixing valve to maintain safe shower temperature
- Adjustable stop screw to control maximum hot water temperature to valve
- Integral service stops allow water shut-off for valve servicing
- 4 port valve body in common plane
- Inlets: 1/2" IPS and 1/2" sweat
- Outlets: 1/2" IPS and 1/2" sweat
- Accommodates back to back installations
- Accommodates thin wall installations
- Stringer mounts included

OPTIONS/MODIFICATIONS

- BR** Temptrol Rapid Install™ Bracket
- CHKS** Integral check stops for use in installations where a positive shut-off device is used downstream of valve
- RV** Reverse seat for back to back installations

INLET ADAPTERS

- CP** CPVC fittings
- P1** PEX crimp fittings
- P2** PEX expansion fittings
- P3** ProPress fittings

COMPLIANCE

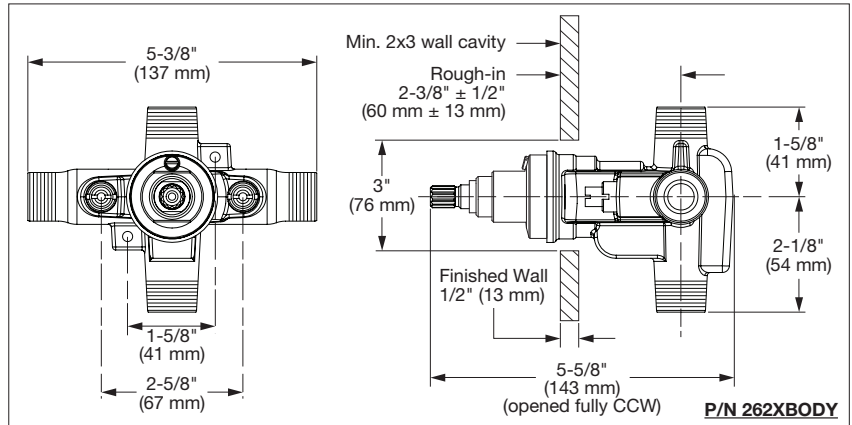
- ASME A112.18.1/CSA B125.1
- ASSE 1016
- Buy American Act Compliant



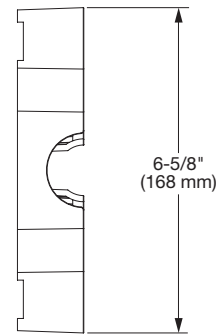
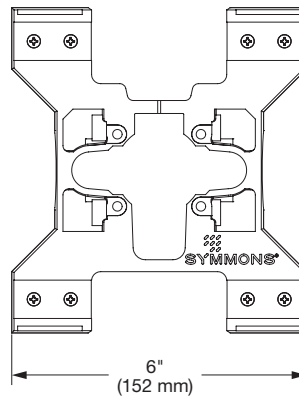
WARRANTY

Limited Lifetime - to the original end purchaser in consumer installations.

5 Years - for commercial installations.
Refer to www.symmons.com/warranty for complete warranty information.



TEMPROL RAPID INSTALL™ BRACKET



NOTES:

- 1) Min. 2x3 wall cavity
- 2) Rough-in 2-7/8" (73 mm)

P/N RTS-076

