

Technical Specification

Adjustable-Length Curved Shower Rod

CSR2160

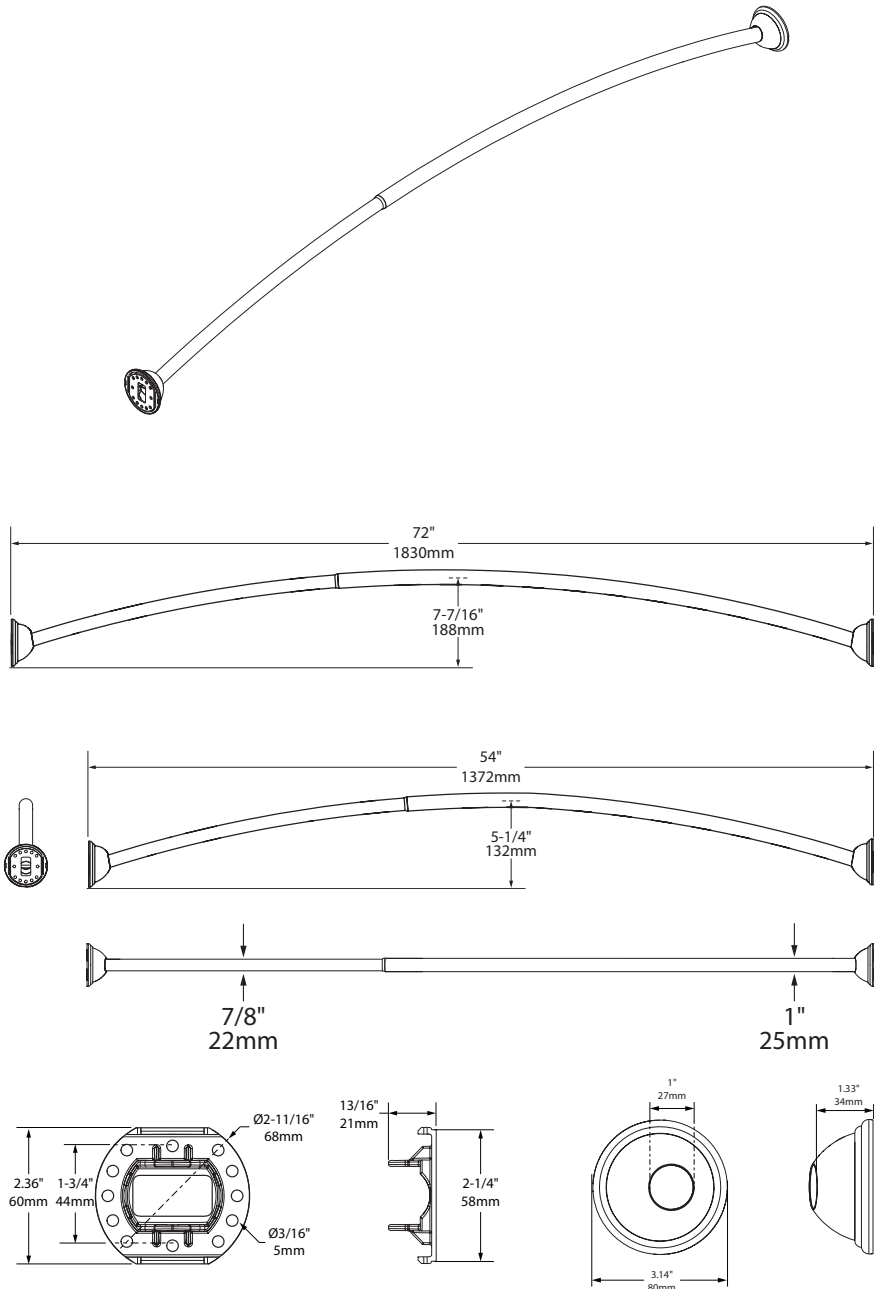
Stock Numbers:

- ❑ **CSR2160BN – Adjustable-Length Curved Shower Rod**
Brushed Nickel Finish
1-inch Diameter Rod
Adjusts to fit shower enclosures between 54-inches and 72-inches
Wholesale Packaging
- ❑ **CSR2160CH – Adjustable-Length Curved Shower Rod**
Chrome Finish
1-inch Diameter Rod
Adjusts to fit shower enclosures between 54-inches and 72-inches
Wholesale Packaging
- ❑ **CSR2160OWB – Adjustable-Length Curved Shower Rod**
Old World Bronze Finish
1-inch Diameter Rod
Adjusts to fit shower enclosures between 54-inches and 72-inches
Wholesale Packaging
- ❑ **CSR2160BG – Adjustable-Length Curved Shower Rod**
Brushed Gold Finish
1-inch Diameter Rod
Adjusts to fit shower enclosures between 54-inches and 72-inches
Wholesale Packaging

Materials:

Brushed Nickel, Chrome, and Brushed Gold Curved Shower Rods are made of .028 (22 gauge) seamless type 304 stainless steel. **Old World Bronze Curved Shower Rods** are made of .028 (22 gauge) seamless type 430 stainless steel. **Brushed Nickel, Chrome, and Brushed Gold Decorative Covers** are stamped from .020 type 304 stainless steel. **Old World Bronze Decorative Covers** are stamped from .020 type 430 stainless steel. **Pivoting Mounting Post** is made from powder-coated zinc. The **screw** in the pivoting post assembly is made from stainless steel. **Rod connector** is made from Polyethylene. **Decorative Cover Insert Rings** are made from POM.

Dimensions:



Stock Number: _____ **Adjustable-Length Shower Rod By Moen Incorporated**

MOEN®

25300 AL MOEN DRIVE • NORTH OLMSTED, OH 44070
CORPORATE HEADQUARTERS: (800) 321-8809 • FAX: (800) 848-6636
INTERNATIONAL: (440) 962-2000 • FAX: (440) 962-2726
CUSTOMER SERVICE (USA): 800-882-0116 • FAX: (888) 379-2720
WWW.MOEN.COM
©Copyright Moen Incorporated