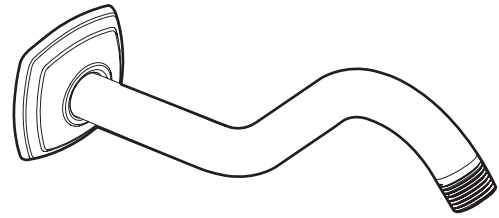


DESCRIPTION

- Metal construction with various finishes identified by suffix
- Includes shower arm and flange

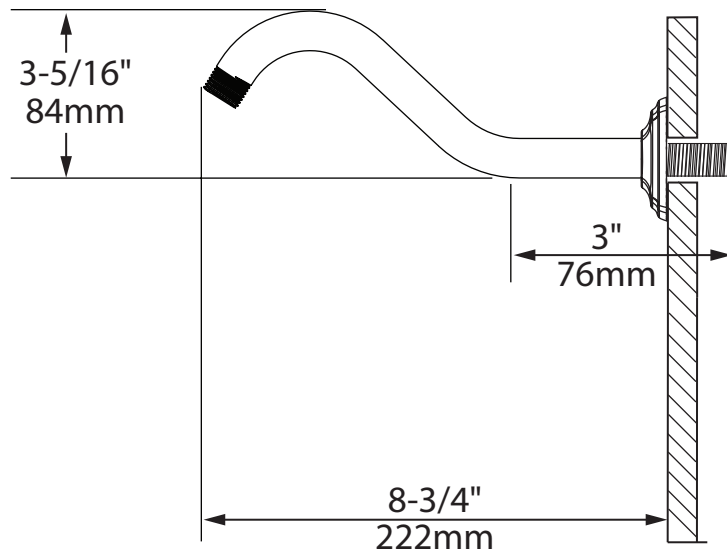
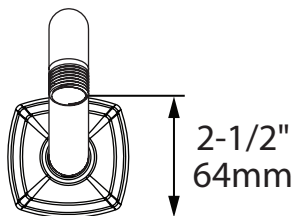
WARRANTY

- Lifetime limited warranty against leaks, drips and finish defects to the original homeowner
 - 10 year limited warranty when used in a multifamily installation
 - 5 year limited warranty when used in a commercial installation
- Visit www.moen.com/support for complete details and limitations



Shower Arm and Flange

Model: 161951 series



CRITICAL DIMENSIONS

(DO NOT SCALE)