




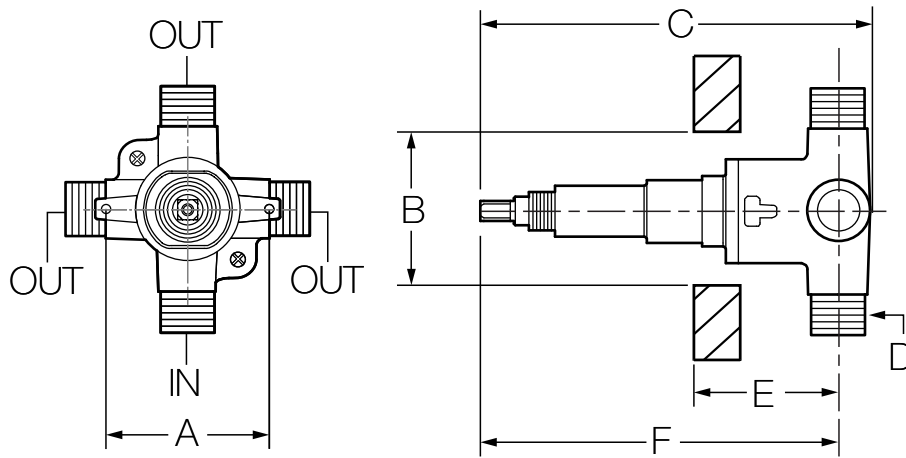
Location:

3DIVBODYSRT
Triple Outlet Diverter Valve Body
Specification Submittal

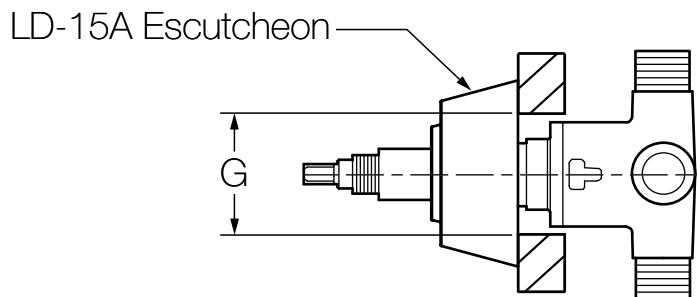


<p>Feature Highlights</p> <ul style="list-style-type: none"> • Symmons triple outlet diverter valve • Shared functionality in two positions with defined detents • 3 discreet positions and 3 shared positions • Male IPS and sweat inlet/outlet connections • Inlet/outlet connections in common plane • Components shall be metal construction 	<p>Compliance</p> <ul style="list-style-type: none"> • ASME A112.18.1/CSA B125.1 
<p>Model Numbers</p> <p><input type="checkbox"/> 3DIVBODYSRT Symmons Triple Outlet Diverter Valve Body</p>	<p>Warranty</p> <p>Limited Lifetime - to the original end purchaser in consumer/residential installations. 5 Years - for industrial/commercial installations. Refer to www.symmons.com/warranty for complete warranty information. Go to www.symmons.com/register to register your Symmons product.</p>

Dimensions



Measurements	
A	2-5/8", 67 mm
B	Hole Size Min. Ø 3", 76 mm Max. Ø 3-1/4", 83 mm
C	5-1/4", 133 mm
D	(4x) 1/2" male IPS & (4x) 1/2" female sweat
E	See note 1
F	4-7/8", 124 mm
G	Hole Size Min. Ø 1-3/4", 44 mm Max. Ø 1-7/8", 48 mm LD-15A Escutcheon: 2DIV Temptrol Commercial Safetymix Visu-Temp



Notes:

- 1) Figure is determined by style of trim attached to shower valve.
See rough-in dimension drawing for shower valve application with diverter valve.
- 2) Dimensions subject to change without notice.