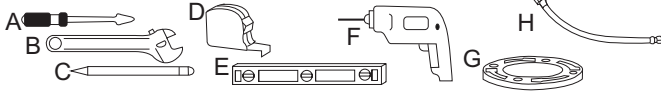


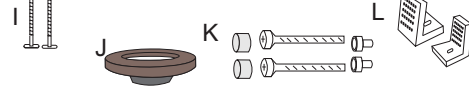
Recommended Tools & Materials



(A) Screw Driver (B) Adjustable Wrench (C) Marker (D) Tape Measure (E) Level (F) Drill (G) Toilet Flange (H) Flexible Supply Tube

(I) T-bolts(2), nuts(2), washers(2) (J) Wax Ring (K) Fixing Screws(2) Decorative Caps(2), Cap Base(2) (L) Flange Connecting Brackets(2)

Items Included



IAPMO R&T

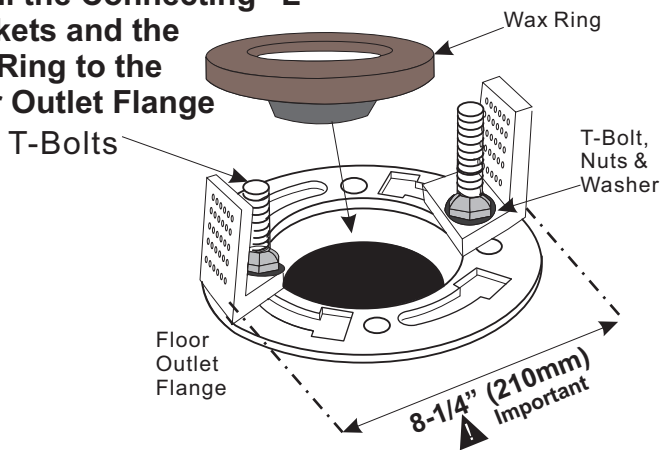
▲ CAUTION: PRODUCT IS FRAGILE
Handle with care to avoid breakage and

Note: Views in this illustrations are for general representation and may not necessarily define the exact contours of the product.

1 Remove Old Toilet

Shut off water supply line to toilet. Flush toilet and remove all water from the bowl and tank using a sponge. Disconnect the water supply from the tank. Remove the tank from bowl, use a screw driver and adjustable wrench or socket wrench. Loosen toilet bowl flange nuts under bolt caps. Remove old bowl by carefully lifting it off the floor. Clean flange and plug drain with a rag to prevent sewer gas from escaping. Replace or repair if required.

2 Install the Connecting “L” Brackets and the Wax Ring to the Floor Outlet Flange



A. Check the rough-in dimension, this is the distance from wall to center of outlet.

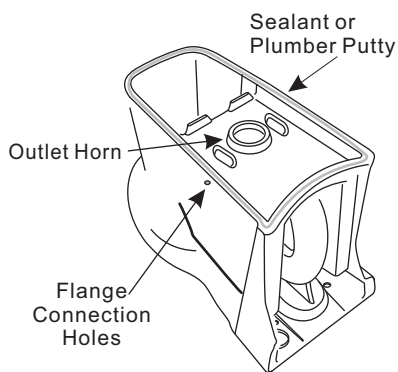
This should be 12” (305mm).

B. Place two new T-connection bolts into the slot on the toilet flange.

C. Install the connecting “L” brackets onto the T-bolts with the flat side toward the outside of the flange, adjust the spacing on the outside of the bracket to be 8-1/4” (210mm), now attach the washers and nuts to the T-connection bolts and tighten the “L” brackets snug and direct to the floor flange.

D. Set the wax ring into the outlet between the T-connection bolts.

3 Install Water Closet Base



E. Place toilet bowl upside down on clean surface.

F. Install a bead of sealant or plumbers putty around the outside foot base.

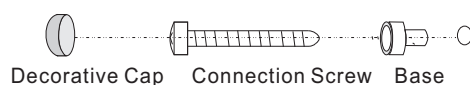
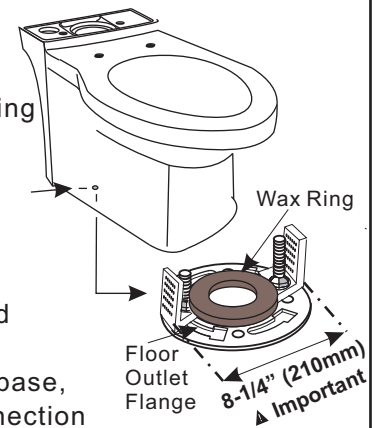
G. Now lift the bowl over the floor outlet flange/wax ring and lower the bowl into place aligning the flange connection holes with the connection brackets.

H. Firmly push the toilet down seating the bowl horn into the wax ring.

I. Set the bowl in place by gently rocking back and forth on the bowl rim. The “L” brackets should extend up through the slots on both sides of the outlet horn.

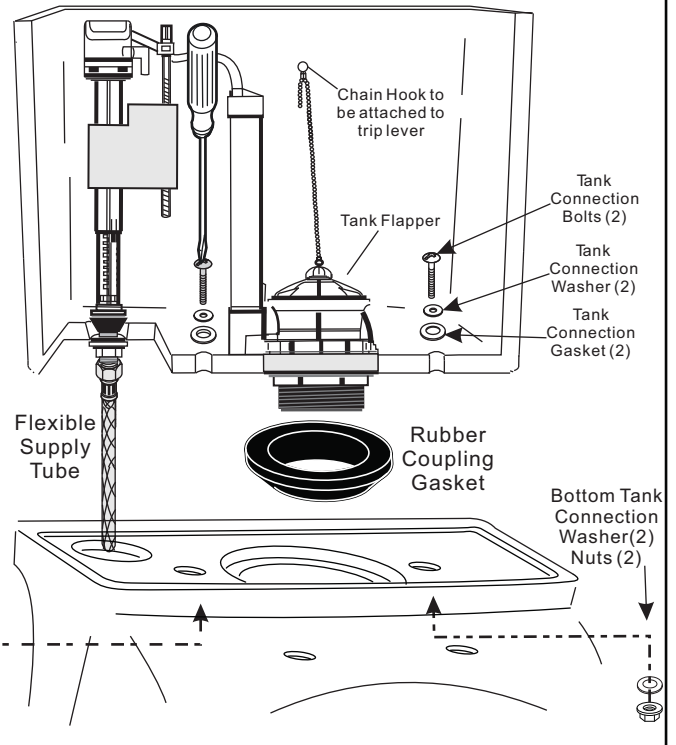
J. With bowl firmly set, insert fixing screws into seat base, slide connection screw and base into the flange connection holes and tighten on both sides of the bowl.

K. Snap decorative cap over connection screw head.



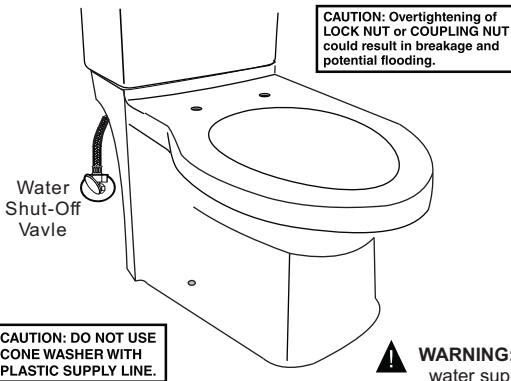
4 Install Toilet Tank to Bowl

L. Carefully remove the tank from the packaging and lay it on a clean and stable surface on the tank back.
 M. Check tank fittings and handles for tightness, then install the rubber coupling gasket onto the stem of the flush valve.
 N. Connect the flexible supply tube to the fill valve and snug the connection tight by hand.
 O. Insert the brass washer onto the tank connection bolts first, then insert the rubber gasket onto the tank connection bolts and slide them to the base head of the bolt.
 P. Now insert the connection bolt assemblies into the tank to bowl connection holes.
 Q. Gently lift the tank to the upright position and place it on the bowl making sure to align the flexible supply tube, flush valve gasket and connection bolts with the proper hole locations on the bowl. Now set in place carefully holding the tank from tipping and holding in a downward force.
 R. Slide the brass washer first, then the connection nuts onto the end of the connection bolts located from around the back of the bowl. Tighten the bolts evenly and in equal pressure until a snug and water tight seal is made.

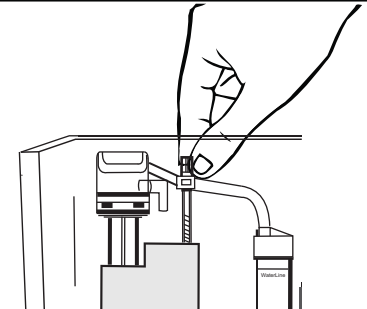


**NOTE: DO NOT OVERTIGHTEN!
 DO NOT SPIN HEAD OF BRASS BOLT WITH SCREWDRIVER!
 DO NOT use sealants or silicon on this fitting.**

5 Connect the Water Supply



S. Route the supply tube from behind the bowl and connect to the Water Shut-Off Valve.
 T. Open valve slowly and **check for all leaks** in connections and toilet.
 U. Use the thumb screw on the fill valve to adjust water level to the waterline mark.

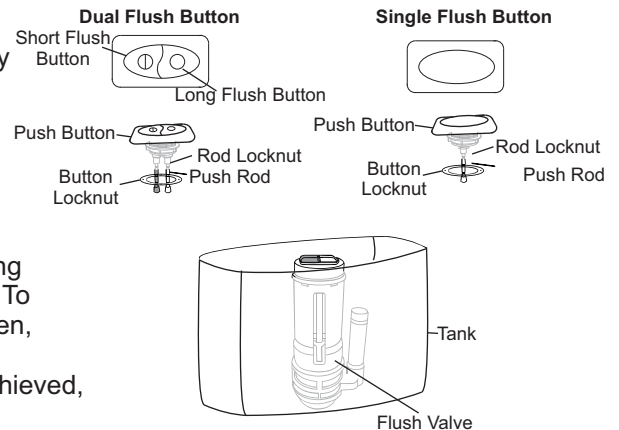


WARNING: Do not use plumbers putty, pipe dope or any other sealant on the water supply connections to this tank.
WARRANTY is void if any type of sealant is used on the water supply connection.

6 For Push Button Activation Only

The flush button is pre-assembled and adjusted at the factory but may require aligning properly and adjusting the rods. Position the lid and flush button on the top of the tank lid so the rod from the short flush button will align with the blue top button of the flush valve and the rod from the long flush button will align with the white top button of the flush valve.

NOTE: Make sure the tip on the bottom of the push button rods leading from the flush buttons lightly touch the top of the flush valve buttons. To increase the rod length, turn the rod locknut counterclockwise to loosen, then rotate the push rod counterclockwise to increase the length and clockwise to decrease the rod length. When the desired length is achieved, turn the rod locknut clockwise while holding to secure.



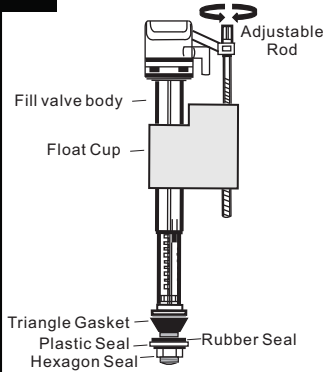
7 Install Tank Lid and Seat

- V. Gently set the lid on the toilet tank.
- W. Your toilet comes packaged with a custom designed seat to match the contours and design. Please find enclosed in the

8 Tank Replacement Part Information

The inside back of you tank is stamped with replacement part information. Please record and maintain this record for future maintenance and reliable service of your new toilet.

9 Troubleshoot



Problem	Reason	Solution
Fill Valve will not fill!	Water supply is closed?	Turn on water supply at angle stop valve.
	Float valve is stuck?	Loosen fill valve nut and turn fill valve away from back of tank.
	Drain Guards are stuck?	Clean drain guard of debris.
Fill valve will not shut off!	Water supply continues to run?	Turn off water and clean the inside fill valve.
	Float is stuck?	Loosen fill valve nut and turn fill valve away from back of tank.
	Flapper is stuck open?	Check chain length and flush valve seat.
Leakage!	Flush valve nut is loose?	Check the flush valve is tightened into place.
	Fill valve nut is loose?	Check hex nut on fill valve to assure it is tight.
	Flapper is not seated properly?	Clean flush valve seat, replace flapper if necessary.
Poor Flush!	Water level is not set to proper height?	Adjust the water level set screw to assure water is at the maximum level line.
	Low water pressure?	Make sure the minimum water pressure is above 35 PSI.
	Obstruction in bowl?	Plunger the bowl and clean the drain line as necessary.
	Short Flush?	Adjust the chain length of the flapper.

10 Care and Maintenance

When cleaning your toilet, wash it with mild, soapy water, rinse thoroughly with clear water and dry with a soft cloth. Avoid detergents, disinfectants or cleaning products in aerosol cans.

NEVER use abrasive scouring powders or abrasive pads on your toilet seat. Some bathroom chemicals and cosmetics may damage the seat's finish.

Caution: Product is Fragile. To avoid breakage and possible injury handle with care! Do not use abrasive powered or liquid cleaners which can damage the product surface. Over tightening of the lock nut or coupling nut could result in breakage and flooding. Do not use the cone washer with a plastic supply line. Do not use pipe dope or other silicon based materials to tighten supply coupling nut.



WARNING



DO NOT USE IN-TANK TOILET BOWL CLEANERS CONTAINING BLEACH OR CHLORINE

Use of such products will:

1. Result in Damage to tank components and may cause flooding and property damage.
2. Void the Plumbing Fixtures Limited Warranty

Miseno Plumbing Fixtures Limited Warranty

What is the Warranty Period?

The warranty is for ten years from installation date or purchase of home on toilet bowl and tank. One year on ballcock, flush valve and trip lever.

Who Is Covered?

The warranty covers the original purchaser or first home owner.

What Does the Warranty Cover?

The warranty covers the vitreous china product that is defective in materials or workmanship.

What Does the Warranty Not Cover?

- Failures to fittings due to chlorine or other chemicals.
- Installation and labor costs you incurred for replacement.
- Repair costs and damage due to leaks from supply line failures.
- Products not installed per Miseno's instructions.
- Product that were subject to abuse or misuse.
- Products that do not meet local building code requirements.
- Products with faulty maintenance.

What Will We Do to Correct Problems?

We will repair or replace the product with the replacement model.

What Do you do to get Service or order replacement parts?

You may contact the place of purchase or Miseno at info@miseno.com



IAPMO R&T

Build.com, Inc.
401 Otterson Drive, Suite 100
Chico, CA 95928
(800) 375-3403

MISENO