

BEASLEY IN-WALL SHOWER VOLUME CONTROL

SKU: 948777

Code: SHBE9007, SH6020, SH6040



FEATURES

Material: Brass

Required for Installation: Rough-in valve: SH6020 or SH6040

ASME A112.18.1/CSA B125.1, ICC/ANSI A117.1, Massachusetts Accepted, LISTED ID: SHBE9007*, SH6020, SH6040



ADDITIONAL FEATURES

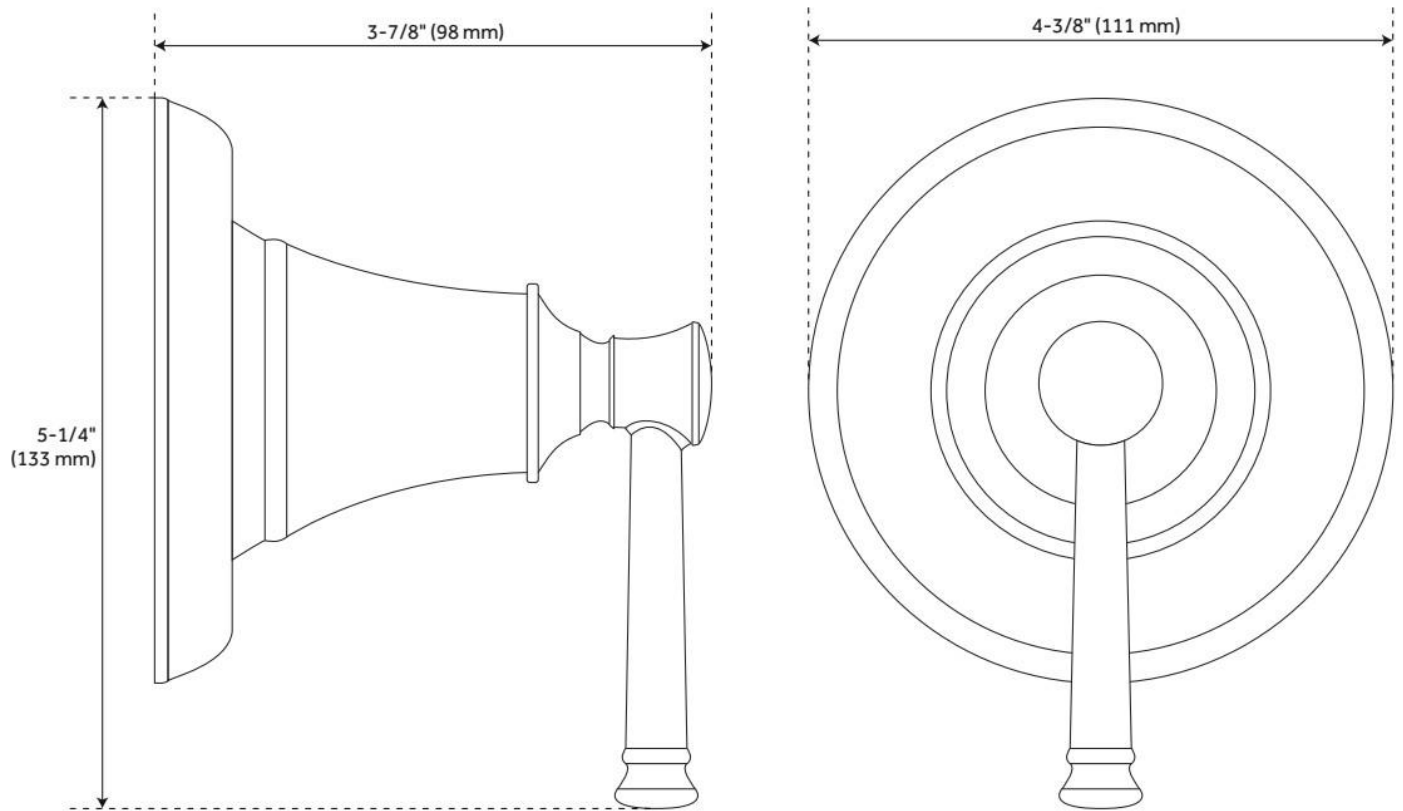
- Overall Projection: 3-7/8".
- Wall thickness range: 1" to 1-3/4".
- For proper installation, requires use of a thermostatic valve and trim.
- Optional Rough-in Valve:
 - Bronze valve body.
 - Ceramic cartridge.
 - Recommended valve installation depth 1-5/8" to 2-3/8".

REVISED 6/11/2024

BEASLEY IN-WALL SHOWER VOLUME CONTROL

SKU: 948777

Code: SHBE9007, SH6020, SH6040



REVISED 6/11/2024

VOLUME CONTROL ROUGH-IN VALVE

SKU: 948546

Code: SH6020, SH6040



ASME A112.18.1/CSA B125.1, Massachusetts Accepted, LISTED ID: SH6020, SH6040



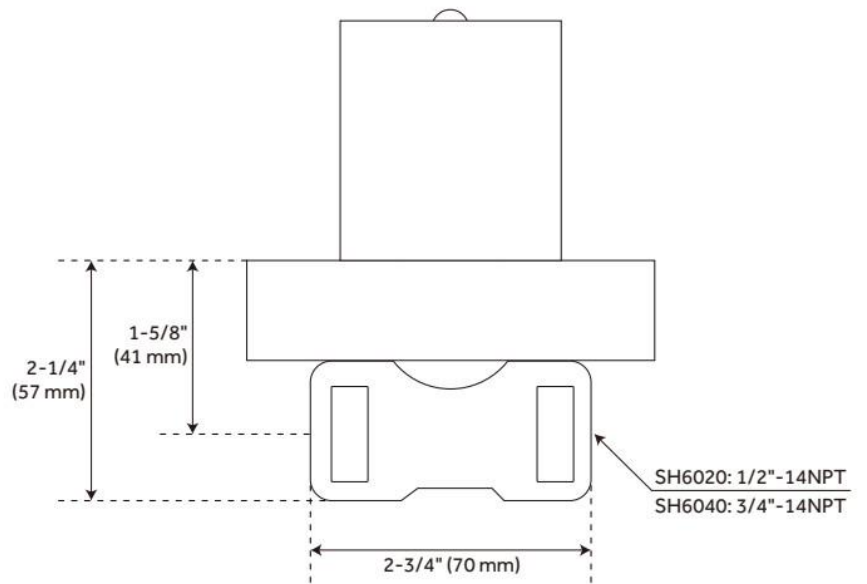
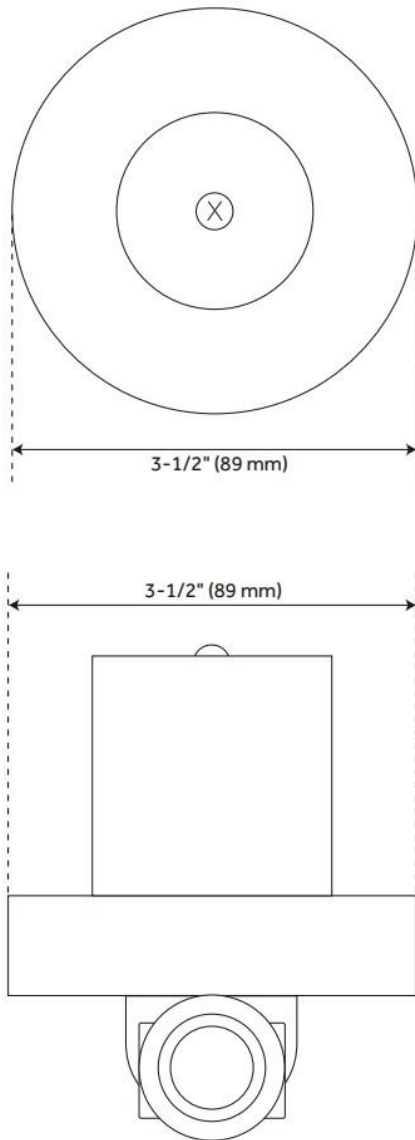
ADDITIONAL FEATURES

- Intended for use with a thermostatic valve and trim.
- Bronze valve body.
- Ceramic cartridge.
- Compatible with Beasley, Berwyn, Boca Raton, Drea, Edenton, Elita, Greyfield, Gunther, Hibiscus, Key West, Lentz, Lexia, Pendleton, Pinecrest, Provincetown, Rigi, Sefina, Vassor and Vilamonte Volume Control Trims.

REVISED 11/22/2024

VOLUME CONTROL ROUGH-IN VALVE

SKU: 948546
Code: SH6020, SH6040



REVISED 11/22/2024