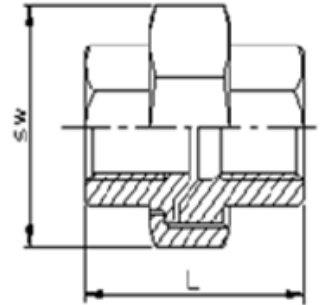


# DIMENSIONAL SPECIFICATIONS

## STAINLESS STEEL ISO PATTERN FITTINGS 150 LB.

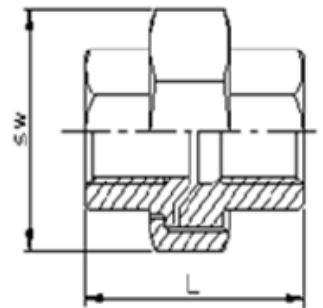
### UNION (304)

Part #	Size (IN.)	Approx. Net WT. (LB.)	L	SW
K487-02	1/8	0.12	1.50	0.98
K487-04	1/4	0.22	1.65	1.18
K487-06	3/8	0.27	1.77	1.38
K487-08	1/2	0.45	1.89	1.65
K487-12	3/4	0.59	2.05	1.85
K487-16	1	0.68	2.28	2.09
K487-20	1-1/4	1.60	2.56	2.80
K487-24	1-1/2	1.73	2.76	3.03
K487-32	2	2.59	3.07	3.62
K487-40	2-1/2	4.14	3.35	4.41
K487-48	3	4.61	3.74	4.96
K487-64	4	9.56	4.33	6.18



### UNION (316)

Part #	Size (IN.)	Approx. Net WT. (LB.)	L	SW
K687-02	1/8	0.12	1.50	0.98
K687-04	1/4	0.22	1.65	1.18
K687-06	3/8	0.27	1.77	1.38
K687-08	1/2	0.45	1.89	1.65
K687-12	3/4	0.59	2.05	1.85
K687-16	1	0.68	2.28	2.09
K687-20	1-1/4	1.60	2.56	2.80
K687-24	1-1/2	1.73	2.76	3.03
K687-32	2	2.59	3.07	3.62
K687-40	2-1/2	4.14	3.35	4.41
K687-48	3	4.61	3.74	4.96
K687-64	4	9.56	4.33	6.18



# MERIT BRASS

DIRECTING THE FLOW OF *Quality*