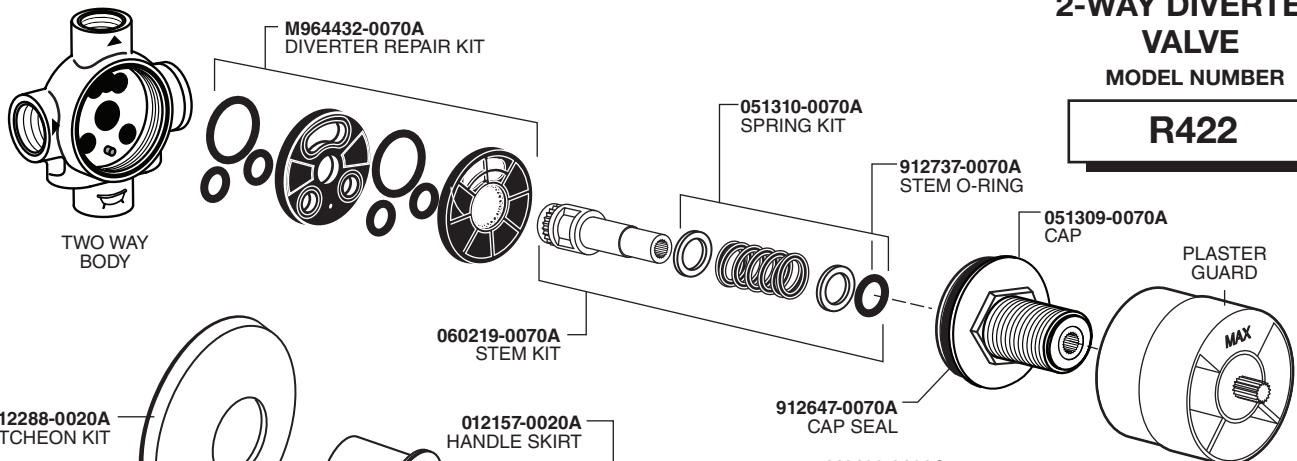
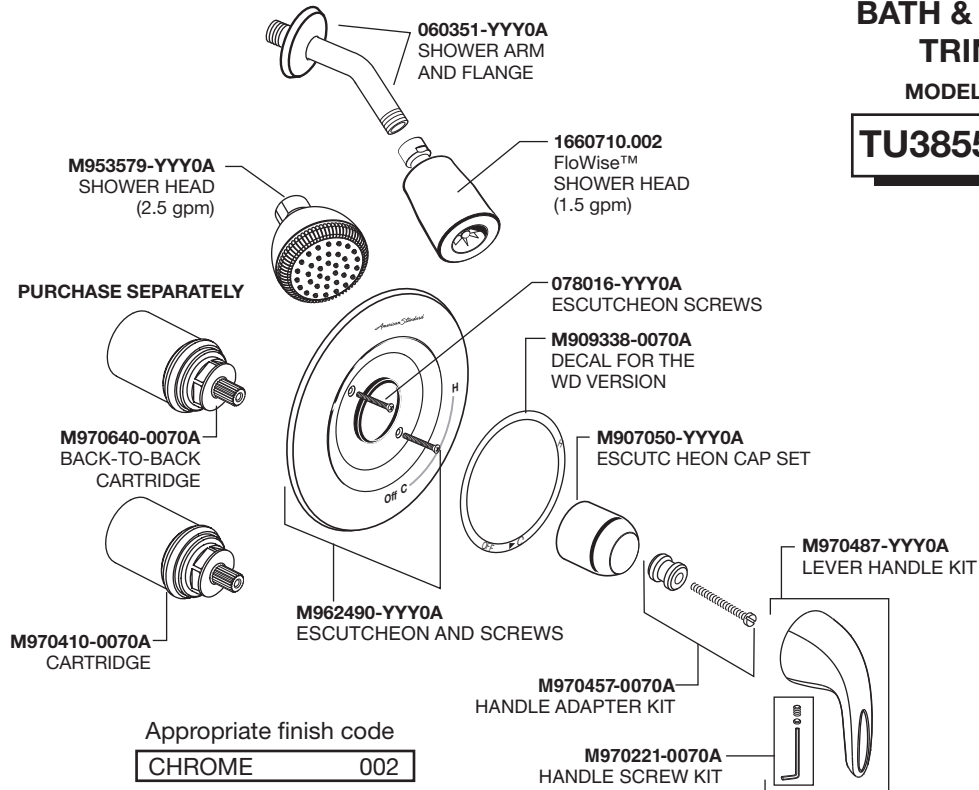


# American Standard

## RELIANT 3 PRESSURE BALANCING BATH & SHOWER TRIM KIT MODEL NUMBER

**TU385501WDXH**



## 2-WAY DIVERTER VALVE MODEL NUMBER

**R422**

## HERITAGE HANDLE DIVERTER TRIM MODEL NUMBER

**T342.430**

### HOT LINE FOR HELP

For toll-free information and answers to your questions, call:  
1 (800) 442-1902

Mon. - Fri. 8:00 a.m. to 8:00 p.m. EST  
Saturday 10:00 a.m. to 4:00 p.m. EST

IN CANADA 1-800-387-0369  
(TORONTO 1-905-306-1093)

Weekdays 8:00 a.m. to 7:00 p.m. EST

IN MEXICO 01-800-839-1200



012205-0070A  
COLOR RING KIT

918572-0070A  
HANDLE SCREW

PART OF **LIXIL**

# American Standard

## 3-FUNCTION HAND SHOWER

PART NUMBER

**1660.767.002**

1660767  
3-FUNCTION  
HAND SHOWER  
(2.5 GPM)

## 3-FUNCTION HAND SHOWER

PART NUMBER

**1660.766.002**

1660766  
3-FUNCTION  
HAND SHOWER  
(1.5 GPM)

## WALL SUPPLY

PART NUMBER

**8888.037.002**

8888037.002  
WALL SUPPLY

M962520-0020A  
CHECK VALVE

030782-0020A  
HOSE KIT

## METAL HOSE

PART NUMBER

**8888.035.002**

M962506-0020A  
SUPPORT BRACKET

## 36" SLIDE BAR

PART NUMBER

**1660.236.002**

M919211-0020A  
36" SLIDE BAR

M962507-0020A  
HAND SHOWER HOLDER

M950105-0070A  
HARDWARE KIT

M962506-0020A  
SUPPORT BRACKET

M961856-0020A  
ESCUTCHEON AND SCREWS

078016-0020A  
ESCUTCHEON SCREWS

M907050-0020A  
ESCUTCHEON CAP SET

M909606-0020A  
DECAL

030126-0070A  
HANDLE SCREW KIT

M961636-0020A  
LEVER HANDLE KIT

### HOT LINE FOR HELP

For toll-free information and answers to your questions, call:  
1 (800) 442-1902

Mon. - Fri. 8:00 a.m. to 8:00 p.m. EST  
Saturday 10:00 a.m. to 4:00 p.m. EST

IN CANADA 1-800-387-0369  
(TORONTO 1-905-306-1093)

Weekdays 8:00 a.m. to 7:00 p.m. EST

IN MEXICO 01-800-839-1200



PART OF **LIXIL**